

KUPO GRIP

Professional lighting stands and grip accessories

Index

Special features	1-2
Lightweight & Kit stands	3-6
Floor stand & Base stand & Roller stands	7-8
Steel stands & Combo stands	9-10
Combo stands	11-12
Cine stands & K stand	13-16
Wind-up stand & Follow spot stands	17-20
Master C stands	21-23
Grip heads & Grip arms & Flag frames	24-25
Extension columns & Boom arms	26-28
Overhead stands	29
Butterfly frames	30-31
Casters	32
Super viser & Chain clamps & Gaffer Grip	33-34
Convi clamp & Adapters	35-41
Grip accessories & Adapters	42-44
3 way & 4way clamps	45
Offset arm & Side arm & Articulated arm	46-47
Flex arm & Accessories	48
Poly holder & Foam core fork	49
Kino clamp & Wall spreader & Ruler clamp	50
Ali clamp & Off camera flash spring clamp	51
Max arms & Vision arm & Pincer clamp	52-56
Suction cups	57
Kupoles & Background paper supports	58-62
Tethermate	63
Super Joint & Textile	64-65
Couplers & Clamps & Safety wire	66-74
K-lok & CEE form connectors	75-79
Head-to-Ballast connectors/ Cable	80
Caps & Director chair	81
Sand Bags & Grip cases	82-83
Ku hand & Gaffer tapes & EZ-ties	84-86
CCTO/CTB filters & C47 & Honey combs	87-88
X-Bone & Cam step & Cable guards	89-90
Digi-fan & Intercom & Special effect	91-96
Product Index	97-102

KUPO Professional Lighting Stands and Grip Accessories








Kupo offers a whole range of professional lighting stands and grip accessories for film, TV studio, location, photographic industry. To meet the professional requirements, there are various stand versions available. It includes Lightweight and kit stand, Roller stand, Combo stand, Wind-up stand, C stand, Overhead stand, Butterfly frame, Cine stand and Versatile mounting accessories...

Based on many years experience of professional stage lighting, we now offer some excellent machines for special effect usage on film and movie application.

Kupo support best to meet all your professional request.



Guide To Symbols

-  Maximum Height
-  Maximum Load
-  Footprint Diameter
-  Closed Length
-  Stand Top
-  Weight
-  Suggested Caster
(Optional accessory)

Stand Top

All of Kupo lighting stands are available with industry standard top fixings of mounting lighthead and lighting accessories.

T : Compact lightweight aluminum stands with 5/8" (16mm) fixing top and 3/8" -16 screw thread.



A : 5/8" (16mm) fixing light stud



G : Permanently fitted 4 1/2" grip head with additional offset 1 1/8" (28mm) socket.



V : Triple function universal top head with both 1 1/8" (28mm) and 5/8" (16mm) socket. Extra multi direction 5/8" (16mm) light stud.



S : 5/8" (16mm) socket with a detachable 5/8" (16mm) light stud. One end 3/8" -16 and another end 1/4" -20 screw thread.



VJ : Triple function universal top head with both 25mm and 17mm socket. Extra multi direction 16mm light stud. (Japanese Type)

SJ : 17mm socket (Japanese Type)



A full range of locking mechanisms.



Stand riser column collars are pressure die cast aluminum for strength and incorporate ergonomic locking knobs that hold the light exactly where positioned.

Special Features



Unique bottom spider casting design makes folded stand can be set alone on its own.



The lightweight aluminum stand with aluminum clamping riser which provide a good elasticity. Unlike plastic riser that has memory and result to break.



Bottom spider casting with spring cushioned to prevent jarring of the lamp filament. For those steel stand recited with "spring cushion".



All the aluminum casting knob comes with a mold-in stainless steel bolt for lightweight & long-lasting clamping operation.



Assembled by bolts and nuts for easier maintenance and tightness adjustable instead of fixed rivets.



Baby pin is welded directly to the riser instead of being pinned in steel stand.



Double leg struts for extra strength and stability.



Each KUPO Stand comes with velcro supplied to fasten the legs for better storage and cable management.



The stand leg is equipped with nylon feet to protect both leg and ground.



New innovation compact top head with multi direction 16mm (5/8") light stud.



Leveling leg allows stand keeping vertical in any circumstance.



Ear ring device for wind-bracing kit.



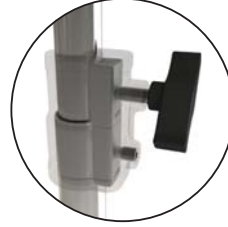
Upper spider casting with extender for hanging sandbag on the center position.



The stainless steel heli-coil insert is equipped inside the aluminum die-casting riser provides a durable threaded hole.



Solid cross pin design in aluminum stand for a better stand stud mount.



A sizable brake shoe to ensure a much better lock off.



013BS Backlite Base Stand

H 9cm **W** 1kg **L** 60cm
 max 3.5" max 2.2lbs max 23.6"

L 15kg **T** T
 max 33lbs

Fold away steel backlite base stand with KS-017 which is 16mm stud with 3/8" and 1/4" thread. Designed for mounting lighting fixture close to the floor or table.



013 Folding Base Mini Stand

L 48cm **H** 85cm **W** 1.3kg
 max 18.9" max 33.46" max 2.87lbs

L 60cm **L** 3kg **T** T
 max 23.6" max 6.6lbs

Fold away back steel base and aluminum collars with 5/8" socket and KS-017. Universal 16mm light stud. Extension pole from 48cm to 80cm w/5/8" fixing top. Provide flexible mounting of lights from floor level to nearly 85 cm high. Fold flat for easy carry and storage



033 Low Mini Kit Stand

L 40cm **H** 129cm **W** 0.75kg
 max 15.75" max 50.8" max 1.65lbs

L 45cm **L** 1.5kg **T** T
 max 17.8" max 3.3lbs

3 risers, 4 sections.
 Dia.: 1" , 7/8" , 3/4" , 5/8"
 Leg dia.: 5/8"
 Aluminum material
 With KS-052, adapter for female thread 3/8" -16 to male 1/4" -20.
 Designed for background lights.



055 Handy Stand


L 49cm **H** 227cm **W** 1.1kg
 max 19.2" max 89.3" max 2.4lbs

L 102cm **L** 2.5kg **T** T
 max 40.1" max 5.5lbs

4 risers, 5 sections.
 Dia.: 1-1/8" , 1" , 7/8" , 3/4" , 5/8"
 Solid flat legs: 15mm x 5mm
 Aluminum material
 with KS-052, adapter for female thread 3/8" -16 to male 1/4" -20. Perfect for small lighting fixture on location and lightweight compact design makes it ideal for kits.

023 Midi Pro Stand
023AC Midi Pro Stand w/Air Cushion

L 86cm 33.9" **H** 250cm 98.4" **W** 1.3kg 2.87lbs
L 109cm 42.9" **H** 5kg 11lbs **T** T

 KC-064R (Optional)

2 risers, 3 sections.
 Dia.: 1-1/8", 1", 7/8"
 Leg dia.: 3/4"
 Aluminum material




034 Mini Kit Stand
034-J Japanese Type

L 66cm 26" **H** 236cm 93" **W** 1kg 2.2lbs
L 90cm 35.4" **H** 4kg 8.8lbs **T** T / SJ

3 risers, 4 sections.
 Dia.: 1", 7/8", 3/4", 5/8"
 Leg dia.: 5/8"
 Aluminum material

045 Medium Stand

L 95cm 37.4" **H** 445cm 175.2" **W** 1.5kg 3.3lbs
L 109cm 42.9" **H** 1kg 2.2lbs **T** T


 KC-064R (Optional)

4 risers, 5 sections.
 Dia.: 1-1/8", 1", 7/8", 3/4", 5/8"
 Leg dia.: 3/4"
 Load: variable with height,
 maximum load 1kg at full extended.
 Aluminum material

198 Universal Stand
198AC w/Air Cushion
198-J Japanese Type

L 107cm 42.1" **H** 385cm 151.6" **W** 2.3kg 5lbs

max 110cm 43.3" **max** 9kg 19.8lbs **T** A

 KC-080R (Optional)

3 risers, 4 sections.

Dia.: 35mm, 30mm, 25mm, 20mm

Leg dia.: 22mm

Aluminum material

KS-028

Stand Leg Rubber Cover
 For Leg dia.: 22mm
 Set of 3



195 Baby Kit Stand

L 107cm 42.1" **H** 385cm 151.6" **W** 2.3kg 5lbs

max 110cm 43.3" **max** 9kg 19.8lbs **T** A

 KC-080R (Optional)

3 risers, 4 sections.

Dia.: 35mm, 30mm, 25mm, 20mm

Leg dia.: 22mm

Aluminum material

Welding stand top

195S Baby Kit Stand W/ Square Tubular Legs

L 124cm 48.9" **H** 400cm 157.5" **W** 4.5kg 9.9lbs

max 112cm 44.1" **max** 10kg 22lbs **T** A

3 risers, 4 sections.

Dia.: 35mm, 30mm, 25mm, 20mm

Leg size.: 22mm x 22mm

Aluminum material

With 1 leveling leg

Welding stand top

193 Medium Baby Kit Stand

L 88cm 34.6" **H** 288cm 113" **W** 2.5kg 5.5lbs

W 88cm 34.6" **max** 10kg 22lbs **T** A

3 risers, 4 sections
 Dia. 35mm, 30mm, 25mm, 20mm
 Leg size: 22mm*22mm
 Aluminum material
 With one leveling leg
 With welding stand top



169M Class Stand

L 101cm 39.8" **H** 290cm 114.2" **W** 2.05kg 4.5lbs

W 109cm 42.9" **max** 10kg 22lbs **T** S

C KC-080R (Optional)

2 risers, 3 sections.
 Dia.: 35mm, 30mm, 25mm
 Leg dia.: 22mm
 Aluminum material
 w/KS-017 Universal 16mm
 light stud.



175M Shorty Stand

L 70cm 27.6" **H** 213cm 83.9" **W** 2.3kg 5lbs

W 68.6cm 27" **max** 9kg 19.8lbs **T** S

C KC-080R (Optional)

3 risers, 4 sections.
 Dia.: 35mm, 30mm, 25mm, 20mm
 Leg dia.: 22mm
 Aluminum material
 w/KS-017 Universal 16mm
 light stud.

355 Universal Floor Stand

 35.1cm
 13cm
 1.05kg
 12.4"  5.12"  2.31lbs
 60cm
 10kg
 23.6"  22lbs

Low profile, lightweight compact folding floor stand. Constructed of anodized aluminum legs and central column With die-casting legs mount. Designed for a 28mm spigot, or a 19 mm spigot with supplied adaptor. (Optional adapter for 16mm is available.)











Detachable 19-28mm adaptor



May stand alone with legs folded

350 Runway Base Stand

 26cm
 5.2kg
 28mm Socket
 10.2"  11.5lbs  1-1/8"
 75cm
 70kg
 29.5"  154.3lbs

The chrome plated steel Runway Base Stand is really low rolling stand base which is designed to work with the large lighting fixture. For backlites of most use. Meanwhile, add an extension column into the junior 1-1/8"(28mm) receiver can create a mobile rolling stand. The leg design allows to be folded parallel to one another for easy storage and transportation.



Junior receiver w/ extension tube



Folds for storage & travel

300M High Roller Stand

L 142cm **H** 428cm **W** 15.4kg
 55.9" **H_{max}** 168.5" 34lbs

T 129cm **T_{max}** 40kg
 50.8" **T_{max}** 88.2lbs **T** V

3 risers, 4 sections.

Dia.: 45mm, 40mm, 35mm, 30mm

Leg: 25mm x 25mm

Chrome plated steel

with KC-100S caster

Spring cushioned



May stand alone with legs folded



320M Junior Roller Stand
320M-J Japanese Type

L 114cm **H** 270cm **W** 7.55kg
 44.9" **H_{max}** 106.3" 15.1lbs

T 106cm **T_{max}** 12kg
 41.7" **T_{max}** 26.5lbs **T** A / SJ

2 risers, 3 sections.

Dia.: 35mm, 30mm, 25mm

Leg: 22mm x 22mm

Chrome plated steel

with KC-080S caster



330M Senior Roller Stand

L 130cm **H** 420cm **W** 10kg
 51.2" **H_{max}** 165.4" 22lbs

T 110cm **T_{max}** 12kg
 43.3" **T_{max}** 26.5lbs **T** A

3 risers, 4 sections.

Dia.: 40mm, 35mm, 30mm, 25mm

Leg: 22mm x 22mm

Chrome plated steel

with KC-080S caster

135MB-J Midi-Mix Kit Stand-Black
135MP-J Midi-Mix Kit Stand-Polish
Japanese Type

L 105cm 41.3" **H** 350cm 137.8" **W** 6kg 13.2lbs

T 104cm 40.9" **T** 13kg 28.7lbs **T** SJ

C KC-080R (Optional)

3 risers, 4 sections.
 Dia.: 35mm, 30mm, 25mm, 20mm
 Leg dia.: 22mm
 With 1 leveling leg
 Black coating or Chrome plated steel



135M Midi-Max Kit Stand-Silver

L 105cm 41.3" **H** 350cm 137.8" **W** 5.8kg 12.8lbs

T 104cm 40.9" **T** 13kg 28.7lbs **T** A / SJ

C KC-080R (Optional)

3 risers, 4 sections.
 Dia.: 35mm, 30mm, 25mm, 20mm
 Leg dia.: 22mm
 Chrome plated steel

145M Heavy Duty Baby Stand

L 115cm 45.3" **H** 400cm 157.5" **W** 6kg 13.2lbs

T 120cm 47.2" **T** 13kg 28.7lbs **T** A

C KC-080R (Optional)

3 risers, 4 sections.
 Dia.: 35mm, 30mm, 25mm, 20mm
 Leg dia.: 22mm
 Chrome plated steel

155M High Baby Stand

L 107cm 42.1" **H** 420cm 165.4" **W** 8.2kg 18lbs

FDBQ 110cm 43.3" **max** 25kg 55.1lbs **T** A

C KC-080S (optional)

3 risers, 4 sections.
 Dia.: 35mm, 30mm, 25mm
 Leg: 22mm x 22mm
 With 1 leveling leg
 Chrome plated steel



227M Master Combo Alu Senior
227M-J Japanese Type

L 122cm 48" **H** 315cm 124" **W** 3kg 6.6lbs

FDBQ 118cm 46.5" **max** 12kg 26.5lbs **T** V / VJ

C KC-080R (Optional)

2 risers, 3 sections.
 Dia.: 35mm, 30mm, 25mm
 Leg dia.: 22mm
 With 1 leveling leg
 Aluminum material

226MB Master Combo HD Stand Black
226MB-J Japanese Type Black

L 132cm **H** 340cm **W** 9.2kg
 52" **max** 133.9" 20.3lbs

max 138cm **max** 40kg **T** V / VJ
 54.3" 88.2lbs

C KC-080R (Optional)

2 risers, 3 sections.

Dia.: 40mm, 35mm, 30mm

Leg dia.: 22mm

With 1 leveling leg

Spring cushioned

Powder coated steel



226M Master Combo HD Stand
226M-J Japanese Type

L 132cm **H** 340cm **W** 9.2kg
 52" **max** 133.9" 20.3lbs

max 138cm **max** 40kg **T** V / VJ
 54.3" 88.2lbs

C KC-080R (Optional)

2 risers, 3 sections.

Dia.: 40mm, 35mm, 30mm

Leg dia.: 22mm

With 1 leveling leg

Spring cushioned

Chrome plated steel

228M Master Combo Stand - Black

L 122cm 48" **H** 230cm 90.6" **W** 7.5kg 16.3lbs

FWD 118cm 46.5" **max** 30kg 66.1lbs **T** V

1 riser, 2 sections.
 Dia.: 35mm, 30mm
 Leg dia.: 22mm
 With 1 leveling leg
 Black powder coated steel
 with KC-080R caster
 Spring cushioned



228P Master Combo Stand - Polish

L 122cm 48" **H** 230cm 90.6" **W** 7.5kg 16.3lbs

FWD 118cm 46.5" **max** 30kg 66.1lbs **T** V


C KC-080R (Optional)

1 riser, 2 sections.
 Dia.: 35mm, 30mm
 Leg dia.: 22mm
 With 1 leveling leg
 Chrome plated steel
 Spring cushioned

542M Master Cine Stand
542M-J Japanese Type

L 135cm **H** 325cm **W** 11kg
 53.1" **H_{max}** 128" 24.2lbs

FEET 138cm **↓** 40kg **T** V / VJ
 54.3" **max** 88.2lbs

 KC-100S (Optional)


2 risers, 3 sections.
 Dia.: 45mm, 40mm, 35mm
 Leg : 25mm x 25mm
 With 1 leveling leg
 Chrome plated steel



542MB Master Cine Stand Black
542MB-J Japanese Type Black

L 135cm **H** 325cm **W** 11kg
 53.1" **H_{max}** 128" 24.2lbs

FEET 138cm **↓** 40kg **T** V / VJ
 54.3" **max** 88.2lbs

 KC-100S (Optional)

2 risers, 3 sections.
 Dia.: 45mm, 40mm, 35mm
 Leg : 25mm x 25mm
 With 1 leveling leg
 Powder Coated Steel

543M Master High Cine Stand
543M-J Japanese Type

L 145cm **H** 420cm **W** 12kg
 57.1" **H_{max}** 165.4" 26.5lbs

FDB 140cm **↓** 40kg **T** V / VJ
 55.1" **max** 88.2lbs

C KC-100S (Optional)

3 risers, 4 sections.
 Dia.: 45mm, 40mm, 35mm, 30mm
 Leg: 25mm x 25mm
 With 1 leveling leg
 Chrome plated steel



543MB Master High Cine Stand Black
543MB-J Japanese Type Black

L 145cm **H** 420cm **W** 12kg
 57.1" **H_{max}** 165.4" 26.5lbs

FDB 140cm **↓** 40kg **T** V / VJ
 55.1" **max** 88.2lbs

C KC-100S (Optional)

3 risers, 4 sections.
 Dia.: 45mm, 40mm, 35mm, 30mm
 Leg: 25mm x 25mm
 With 1 leveling leg
 Powder Coated Steel

Kupo 546M K stand is Junior Boom Stand with one Leveling Leg. In addition to be a standard light stand for general use, it can be easy convert to a junior boom arm by pulling the central tube out from the stand. With sturdily constructed by chrome plated steel, square-end legs and strong pivoting collar, Kupo K stand offers most stable supporting for a medium sized light fixture with a softbox or umbrella. One leveling leg is also equipped to stabilize the load on uneven terrain. The optional casters, KC-100S, is recommended to easily move the K stand to facilitate location shoots.



546M K Stand-Junior Boom Stand

L 160cm 63" **H** 510cm 200" **W** 15kg 33lbs

T 134cm 52.8" **max** 30kg 66lbs **T** V

C KC-100S (Optional)

3 Risers 4 sections

Dia.: 45mm, 40mm, 35mm, 30mm

Leg: 25X 25mm

Chrome Plated Steel

With one leveling leg

Min extension: 155cm (61")

Max loading: 30 kg (66 lbs)

Max extension: 280cm (110")

Max loading: 8 kg (17.6 lbs)



Standard light stand



Boom arm stand



Pivoting collar with Big handle allows K stand to be easy used either as standard light stand or boom



The neck with dia. 14mm hole in the end of tube for counterweight



Triple function stand top included junior receiver and baby pin & receiver

185M Low Mighty Baby Stand

L 57cm 22.4" **H** 101cm 39.8" **W** 3.6kg 7.92lbs

H 48cm 18.9" **max** 15kg 33lbs **T** A

2 risers, 3 sections
 Dia.35mm, 30mm, 25mm
 Leg: 22mmX22mm
 Chrome plated steel
 With 1 leveling leg
 Designed to be used for heavy light head at low level.



310M Low Mighty Stand
310M-J Japanese Type

L 92cm 36.2" **H** 205cm 80.7" **W** 7.8kg 17.2lbs

H 104cm 40.9" **max** 35kg 77.2lbs **T** V / VJ

C KC-100S (Optional)

2 risers, 3 sections.
 Dia.: 45mm, 40mm, 35mm
 Leg: 25mm x 25mm
 Chrome plated steel
 With 1 leveling leg

653M Steel Senior Stand

L 155cm 61" **H** 477cm 187.8" **W** 17.5kg 38.6lbs

H 174cm 68.5" **max** 45kg 99.2lbs **T** V

C KC-100 (Optional)

3 risers, 4sections.
 Dia.: 50mm, 45mm, 40mm, 35mm
 Leg dia.: 30mm
 With 1 leveling leg
 Chrome plated steel



Kupo wind-up stands are constructed by chrome plated steel with geared column that enable a single operator to raise and lower heavy loads safely with just turn of a handle. Both risers extend simultaneously at one elevation of 4.4cm by per handle turn. The unique automatic self-locking mechanism is equipped to prevent the light stand from dropping unexpectedly making the operation safer.



Auto Self-Locking device stop unexpected drop-off, and make operation safer. **(PATENTED)**

Lock position

The safety pin will auto insert to the holey tube when wind-up.



Unlock position

The inside spring will bring the safety pin back.



Velcro is supplied to fasten the legs for better storage and transportation.



Top section tube can be adjusted by stepping on foot step.



483-BP Base Plate
Set for three available with 481,482, 483T, 470 stands.



Features of Wind-up stand :

The stand top mounted by a steel bolt through the top tube that offers most sturdy and solid assembly.



The tension of break shoe can be adjusted with Allen wrench.



The wind-up handle should be inserted in between center pole and legs to prevent the tube falling suddenly.



Leveling legs should be set into horizontal at leaning location.



Bright color warning sticker for safety operation.



Casters are optional for easily moving the stand. The stand foot is rugged zinc-casting. Dia.: 100mm with brake and M10 attachment. A set is for three (KC-100).



483T 3 SCT Wind-Up Stand w/Auto Self-Locking Device Silver
483T-J Japanese Type Silver

 181cm 71.3"	 380cm 149.7"	 22.4kg 49.4lbs	 V / VJ
 128cm 50.4"	 30kg 66.1lbs	 KC-100 (Optional)	

3 sections.
 Dia.: 55mm, 45mm, 38mm
 Leg dia.: 30mm
 2 risers extend simultaneously at one elevation of 4.4cm per handle turn.
 Safety cable ensures simultaneous retrieval of all sections.
 Chrome plated steel stand w/geared column.
 With 1 leveling leg



483BT 3 SCT Wind-Up Stand w/Auto Self-Locking Device Black
483BT-J Japanese Type Black

 181cm 71.3"	 380cm 149.7"	 22.4kg 49.4lbs	 V / VJ
 128cm 50.4"	 30kg 66.1lbs	 KC-100 (Optional)	

3 sections.
 Dia.: 55mm, 45mm, 38mm
 Leg dia.: 30mm
 2 risers extend simultaneously at one elevation of 4.4cm per handle turn.
 Safety cable ensures simultaneous retrieval of all sections.
 Powder coated steel stand w/geared column.
 With 1 leveling leg

484 Heavy Duty Wind-Up Stand with Braked Caster

3 sections., Dia.: 70mm, 60mm, 50mm, Leg dia.: 35mm,
2 risers extend simultaneously at one elevation of 4.4cm per handle turn







Top 2 sections: Chrome plated steel

Center tube & legs: Stainless steel

With 1 leveling leg

With Auto Self-Locking Device

With Braked Caster

 196cm 77.2"	 386cm 152"	 39kg 86lbs
 180cm 70.9"	 80kg 176.3lbs	 28mm 1-1/8"



Auto Self-Locking Device
stop unexpected drop-off,
and make operation safer



Industry 6" braked caster with
angle adjustable plate allows
484 to stably stand on the
ground when the caster is
removed.



28mm socket with
3 side holes for
wind bracing kit



Solid and strong
handle with slip-
free design offer
excellent operation.



Larger foot step
with skidproof
texture design



U-shaped struts
are made of
stainless steel for
extra stability and
safety.

482T 2 SCT Wind-Up Stand

L 165cm 65" **H** 245cm 96.5" **W** 18.5kg 40.8lbs

max 128cm 50.4" **max** 45kg 99.2lbs **T** V

 KC-100 (Optional)

1 riser, 2 sections.
 Elevation: 2.2cm per handle turn
 Dia.: 55mm, 45mm
 Leg dia.: 30mm
 With 1 leveling leg
 Auto Self-Locking device
 Chrome plated steel with geared column



481 2 SCT Wind-Up Followspot Stand

L 110cm 43.3" **H** 145cm 57.1" **W** 13.5kg 29.8lbs

max 110cm 43.3" **max** 50kg 110.2lbs **T** V

 KC-100 (Optional)

1 riser, 2 sections.
 Elevation: 2.2cm per handle turn
 Dia.: 55mm, 45mm
 Leg dia.: 30mm
 With 1 leveling leg
 Auto Self-Locking device
 Chrome plated steel with geared column

470 Followspot Stand

L 109cm 43" **H** 147cm 57.9" **W** 8.7kg 19.2lbs

max 110cm 43.3" **max** 40kg 88.2lbs **T** V

 KC-100 (Optional)

1 riser, 2 sections.
 Dia.: 50mm, 40mm
 Leg dia.: 30mm
 With 1 leveling leg
 Chrome plated centrepole
 memory collar

Kupo c stand w/Turtle Base is easy to set up, durable and solid stand specially designed for professional photographers, film makers and videographers. The unique leg locking system makes deploying and collapsing the legs a snap and can be done within second with pulling up the spring ring and twist the stand. More features are including :

1. Zinc casting alloy makes the leg base holders most solid and sturdiest.
2. Stainless steel heli-coli give protection for the aluminum riser from being damaged by stainless steel bolt of knob.
3. The unique hollow design of the junior pin receiver on the base also makes dust, sands and water pass through easily for better cleaning and easy maintenance.



Master Series C Stand
w/Turtle Base (Quick Release C Stand)

2 riser, 3 sections
Dia. 35mm, 30mm, 25mm
Chrome plated steel for silver
Powder coated steel for black

CT-20M/MB 20" C Stand (Silver/ Black)

102cm 40.2"	180cm 70.9"	6.7kg 14.8lbs
100cm 39.4"	10kg 22lbs	A

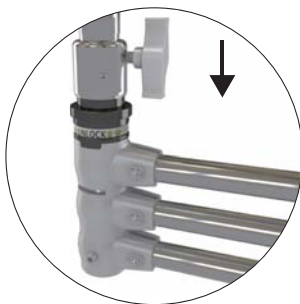
CT-30M/MB 30" C Stand (Silver/ Black)

127cm 50"	260cm 102.4"	7.5kg 16.5lbs
100cm 39.4"	10kg 22lbs	A

CT-40M/MB 40" C Stand (Silver/ Black)

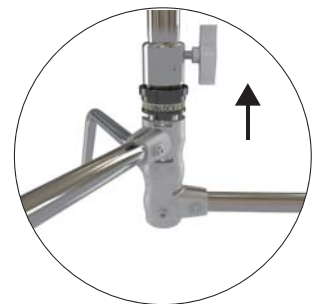
152cm 59.8"	335cm 131.9"	8.3kg 18.3lbs
100cm 39.4"	10kg 22lbs	A

Japanese Type is available Upon request.



Patented!

The innovative spring ring locking system designed.

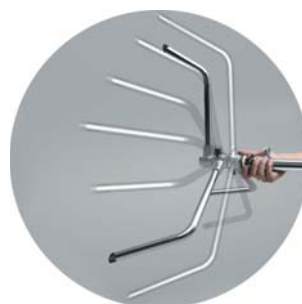


Demonstration of deploying Kupo turtle base C stand

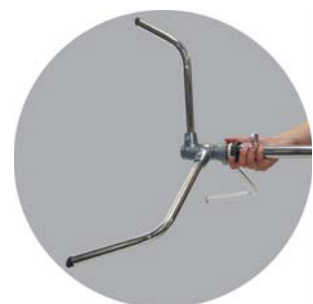
1) Keep the legs up and pull up the spring ring.



2) Twist the stand and release the spring ring.



3) Completely setup after a snap deploying.



C stand Base:

C stand base is chrome plated steel may be used as a very low stand for backlites or different types of stand with various extension columns. The compact size is also available for more lightweight, better storage and transportation.

CT-BS C Stand Base

H 35cm **W** 3.5kg **T** 28mm
 13.8" 7.72lbs 1-1/8"

max 95cm **max** 30kg
 37.4" 66.1lbs

CT-SBS Compact C Stand Base

H 35cm **W** 3.3kg **T** 28mm
 13.8" 7.3lbs 1-1/8"

max 75cm **max** 30kg
 29.5" 66.1lbs

Japanese Type is available Upon request.



Sliding leg C stand:

It features one sliding leg, which allows the stand to adapt to uneven terrain such as stairs or hillsides. This feature provides optimum support of your light heads, reflectors or gobos.

Master Series C Stand with Sliding Leg

2 riser, 3 sections

Dia. 35mm, 30mm, 25mm

Chrome plated steel for silver

Podwer coated steel for black

CS-20M/MB 20" C Stand (Silver / Black)

L 97cm **H** 180cm **W** 5.3kg
 38.2" 70.9" 11.7lbs

max 100cm **max** 10kg **T** A
 39.4" 22lbs

CS-30M/MB 30" C Stand (Silver / Black)

L 112cm **H** 250cm **W** 6kg
 44.1" 98.4" 13.2lbs

max 100cm **max** 10kg **T** A
 39.4" 22lbs

CS-40M/MB 40" C Stand (Silver / Black)

L 137cm **H** 335cm **W** 6.9kg
 54" 131.9" 15.2lbs

max 100cm **max** 10kg **T** A
 39.4" 22lbs







Master Series C Stand Kits
 w/Turtle Base (Quick Release C Stand)
 including one grip arm and 2.5" grip head
 2 riser, 3 sections
 Dia. 35mm, 30mm, 25mm
 Chrome plated steel for silver
 Podwer coated steel for black

CT-20MK/MKB 20" C Stand Kits (Silver/ Black)
 including : CT-20M/B, KCP-200/B and KCP-220/B

 102cm 40.2"	 180cm 70.9"	 6.7kg 14.8lbs
 100cm 39.4"	 10kg 22lbs	 A

CT-40MK/MKB 40" C Stand Kits (Silver/ Black)
 including : CT-40M/B, KCP-200/B and KCP-240/B

 152cm 59.8"	 335cm 131.9"	 8.3kg 18.3lbs
 100cm 39.4"	 10kg 22lbs	 A

Japanese Type is available Upon request.









Master Series C Stand Kits with Sliding Leg C-Stand
 including one grip arm and 2.5" grip head
 2 riser, 3 sections
 Dia. 35mm, 30mm, 25mm
 Chrome plated steel for silver
 Podwer coated steel for black

CS-20MK/MKB 20" C Stand Kits (Silver / Black)
 including : CS-20M/B, KCP-200/B and KCP-220/B

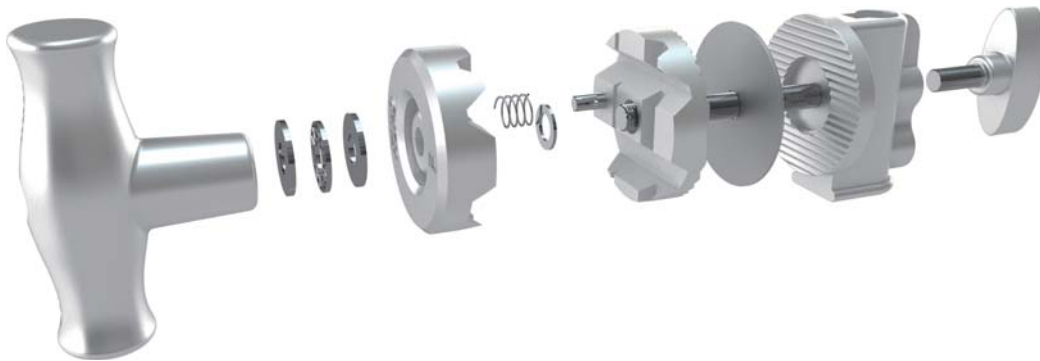
 97cm 38.2"	 180cm 70.9"	 5.3kg 11.7lbs
 100cm 39.4"	 10kg 22lbs	 A

CS-40MK/MKB 40" C Stand Kits (Silver / Black)
 including : CS-40M/B, KCP-200/B and KCP-240/B

 137cm 54"	 335cm 131.9"	 6.9kg 15.2lbs
 100cm 39.4"	 10kg 22lbs	 A



KUPO Grip Head (also Gobohead) is specially designed to be mounted on C-stand with its 16mm socket. Four different size and rotatable V jaw allows you to attach the scrims, flags, cutters, reflectors and backdrops to meet various requirements of lighting control.



More Features:

1. Aluminum casting body with 16mm mounting hole for a 5/8" (Baby) stud or stand top.
2. Non-slip, Non stick aluminum braking pad instead of fiber which would be deteriorate offering positive lock and precise control.
3. Large size T-handle is ergonomic design for biggest torque - follow right hand rule.
4. Four V jaws for different dia. (5/8", 1/2", 3/8", 1/4") pins or tube.
5. V jaws with special tooth design offers a better grip.
6. Steel material makes the located pin sturdier than aluminum casting pin.
7. Stainless steel central bolt with fixed solid pin provides most durable construction.
8. Dedicated bearing added to reinforce the torque for stronger grip.
9. A solid retaining pin to fix the casting body with stainless steel central bolt.



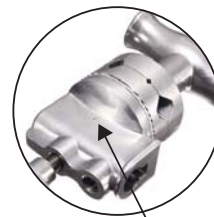
KCP-200B
2-1/2" Grip Head - Black



KCP-200
2-1/2" Grip Head - Silver



KCP-200B/P - J
Grip Head with
17mm Spigot - Black/ Silver



A solid retaining pin to fix the casting body with stainless steel central bolt.

Grip arm, (or boom arm or gobo arm) for C stand is normally used in cooperated with a KCP-200, is designed to support anything from small flash head, moonlights, scrims and flag, to large tungsten units and muslin backdrop. The dia. 5/8" arm is processed in matte finish increasing the friction when works with grip head V jaw and reduce the reflection on set. An extra reinforced roller pin to fix the extension arm with grip head tightly.



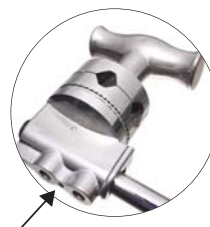
KCP-220B
20" Extension Grip Arm - Black

KCP-220
20" Extension Grip Arm - Silver



KCP-240B
40" Extension Grip Arm - Black

KCP-240
40" Extension Grip Arm - Silver



Extra reinforced roller pin to fix extension arm.

KCP-241 40" Extension Grip Arm with Baby Hex Pin-Silver

It features the arm terminated with a hex baby pin which is suitable for mounting a lighting fixture or anything with baby receiver.



Baby hex pin

Kupo Flag frame is made by dia. 5mm spring steel with a dia. 9.5mm mounting pin.

KCP-F1824 Flag Frame 18" x 24"
KCP-F2436 Flag Frame 24" x 36"



KS-022 Grip Arm Pin

5/8" steel baby pin, with 5" (12.7cm) length, is designed for fitting into the grip head and can be connected to the lighting fixtures or other grip accessories.

Kupo Open frame is made by dia. 6.3mm spring steel with a dia. 9.5mm mounting pin.

KCP-OF1824 Open Frame 18" x 24"
KCP-OF2436 Open Frame 24" x 36"



KCP-215P Grip Arm Support

This is specially designed for giving the most support for grip arm very easy. It is constructed by an extendable aluminum column and comes with the ball joint pivot clamp in one end and with an angle-adjustable attachments in the other end. The attachments is also easy to be fitted into KCP-930 which is lightweight aluminum clamp for quickly coupling the stand tube from 35mm to 50mm with its spring locking design. With this functional support arm, not only loading weight of grip arm could be increased but sliding problem could be solved.

L 56cm 22" **H** 78cm 30.7" **W** 0.5kg 1.1lbs



Tiny clamp with double ball



Length adjustable knob



3-4 way clamp adapter

KCP-216 Boom Arm Support

Similar to KCP-215P but gives the support for boom arm instead of grip arm. This is constructed by an two sections extendable aluminum column and terminated with angle-adjustable attachment in both end. With connecting with two 4 way clamps KCP-950 on the stand tube and boom arm, the loading weight of boom arm is significantly increased.

L 56cm 22" **H** 78cm 30.7" **W** 0.5kg 1.1lbs



KCP-640M Steel Baby Boom

This boom arm can be used to position reflectors, flash heads, screams, tungsten lights and muslin backdrops. A chrome steel boom with 5/8" baby stud, telescopes from 3.8-7.8' (1.1-2.4M) and supports upto 11lbs (5KG) when fully extended. The heavy duty tilt locking device is designed to cooperate with standard grip head to provide a tightly lock ability and it allows the boom to slide within it to adjust the balance of your load. The hook end allows hanging a sandbag for added support.

With 5/8" (16mm) light stud
2 risers, 2 sections
(Dia.: 25mm, 30mm)

L 118cm **H** 240cm
46.5" 46.5"

W 3.79kg **T** T
8.35lbs



Hanging a sandbag for added support.

KCP-641B Aluminum Baby Boom

The same function as KCP-640M but with aluminum boom arm. It telescopes from 3.8-7.8' (1.1-2.4M) and supports up to 6.6lbs (3KG) when fully extended.

With 5/8" (16mm) light stud
2 risers, 2 sections
(Dia.: 25mm, 30mm)

L 118cm **H** 240cm
46.5" 46.5"

W 2.28kg **T** T
5.02lbs



KCP-630 Junior Drop Down

Designed for use on the end of a boom arm to maintain a constant downward angle of a mounted light fixture, as the angle of the boom arm is changed.



KCP-631 Baby Drop Down

The same function as KCP-630 but with baby receiver and baby pin. Additional knob on the elbow is made to keep the lighting fixture no moving while specific angle is needed.



KCP-645 Pivoting boom arm clamp

Kupo pivoting clamp is constructed by solid aluminum die-casting & plastic cardboard insert which can fit a wider tubing size from 30~35mm diameter boom. With 1-1/8" (28mm) male pin and 5/8" (16mm) female receiver, the attachment of clamp can fit into junior receiver or mount on baby pin which gives great flexibility and adjustment.



Adjustable Extension Columns

Kupo offers various adjustable extension columns included lightweight aluminum and heavy duty steel columns to meet professional lighting control requirements by connecting with couplers, clamps, stands etc.

013-A

Pole for Folding Mini Stand
Aluminum material
1 riser, 2 sections
(Dia.: 1" , 7/8")

- L** 48cm
19"
- H** 80cm
max 31.5"
- W** 0.35kg
0.77lbs
- T** T



042 Baby Stand Extension

Aluminum material
3 risers, 4 sections
(Dia.: 1" , 7/8" , 3/4" , 5/8")

- L** 42cm
16.6"
- H** 127cm
max 50"
- W** 0.4kg
0.91lbs
- T** A



120M Stand Extension

Chrome plated steel
1 riser, 2 sections
(Dia.: 40mm, 35mm)

- L** 120cm
47.3"
- H** 210cm
max 82.6"
- W** 4.9kg
10.8lbs
- T** V



CT-TUBE

Chrome plated steel C-Stand tube
2 risers, 3 sections
(Dia.: 35mm, 30mm, 25mm)

CT-20M-TUBE

- L** 69cm
max 27.1"
- H** 147cm
max 57.9"
- W** 3.2kg
7.1lbs
- T** A

CT-30M-TUBE







- L** 94cm
max 37"
- H** 227cm
max 89.4"
- W** 4kg
8.8lbs
- T** A

CT-40M-TUBE

- L** 119cm
max 46.8"
- H** 302cm
max 118.9"
- W** 4.1kg
10.4lbs
- T** A



600M High Overhead Roller Stand

 186cm 73.2"	 594cm 233.9"	 21.4kg 47.2lbs
 156cm 61.4"	 40kg 88.2lbs	 G

3 risers, 4 sections.
 Dia.: 50mm, 45mm, 40mm, 35mm
 Leg: 30mm x 30mm
 Chrome plated steel with KC-100G caster
 Spring cushioned









KCP-450

4-1/2" Grip head w/ a junior stud and receiver
 It is designed to convert a junior stand into an overhead stand. The V jaws feature 3/8" and 5/8" diameter and able to offer positive lock for a gobo arm, large flag or butterfly in all directions.










610M Medium Overhead Roller Stand

 146cm 57.5"	 430cm 169.3"	 18kg 39.7lbs
 156cm 61.4"	 40kg 88.2lbs	 G

3 risers, 4 sections.
 Dia.: 50mm, 45mm, 40mm, 35mm
 Leg : 30mm x 30mm
 Chrome plated steel with KC-100G caster
 Spring cushioned

620M Wide Base High Overhead Stand

 188cm 74"	 633cm 249.2"	 16.5kg 36.4lbs
 196cm 77.2"	 40kg 88.2lbs	 G

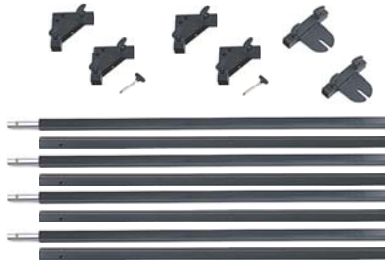
 KC-100G (Optional)
 3 risers, 4 sections.
 Dia.: 50mm, 45mm, 40mm, 35mm
 Leg: 30mm x 30mm
 With 1 leveling leg
 Chrome plated steel
 Spring cushioned

Kupo butterfly frames are made of heavy duty 30mm square section aluminum tubes, which can be easily and pin lock together and disassembled for storage and transportation.

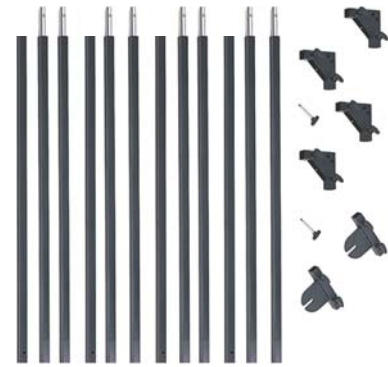
KH-06 Butterfly frame
6' x 6' (1.8m x 1.8m)



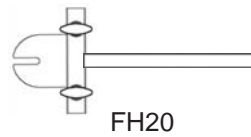
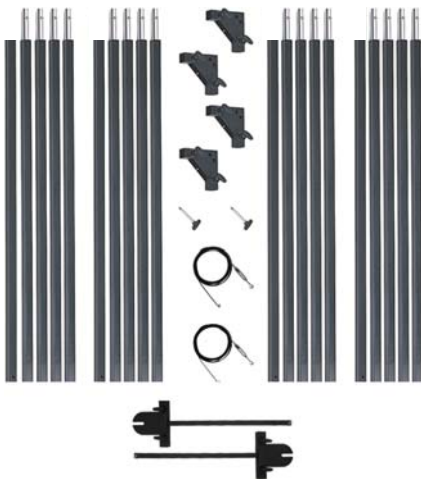
KH-08 Butterfly frame
8' x 8' (2.4m x 2.4m)



KH-12 Butterfly frame
12' x 12' (3.6m x 3.6m)



KH-20 Butterfly frame
20' x 20' (6m x 6m)



BF 40 4'	BF 60 6'
BF 45 4'	BF 65 6'

Features:

Capture frame within the corners for storage and easy handling.



Easily slots and pin lock connector



The corner contain all tubes in a captive state, for a convenient storage and transportation. No more loose pieces that could be lost or damaged.



Kupo Round Pipe Butterfly Frame Kits is made by 1.5mm thickness steel with chrome plated surface treatment. It contains corners, connectors and ears that offers the ability to make butterfly frames in desired sizes with standard size pipe included 1-1/2" (38.1mm) or 1-1/4" (31.8mm).

KH-L114 Round Pipe Butterfly frame for 1-1/4" Pipe Kits
KH-L112 Round Pipe Butterfly frame for 1-1/2" Pipe Kits



KHR-L114 Frame Corner for 1-1/4" (31.8mm) Pipe
KHR-L112 Frame Corner for 1-1/2" (38.1mm) Pipe



KHR-C114 Frame Connector for 1-1/4" (31.8mm) Pipe
KHR-C112 Frame Connector for 1-1/2" (38.1mm) Pipe



KHR-E114 Frame Ear for 1-1/4" (31.8mm) Pipe
KHR-E112 Frame Ear for 1-1/2" (38.1mm) Pipe



Features:

Steel ring welded on the corner to enhance stability of frames by strings.



Steel boss welded on the tube to keep the long-lasting operation of knobs.



Two drilled holes on the corner for checking if the pipe is securely tighten by knob.



Casters

Casters makes your light stand movable while doing work in the studio. It will protect the floors, keep things quite on set and of course, make repositioning the lighting fixtures that much easier. All Kupo casters are sold in sets of three and come with equipped brakes that prevent the wheel from rolling and keeps your stand locked in place.

KC-064R

Caster with round adapter
Dia.: 64mm w/brakes
Leg Dia.: 3/4" (19mm)
Set for three



KC-080R

Caster with round adapter
Dia.: 80mm w/brakes
Leg Dia.: 7/8" (22mm)
Set for three



KC-100G

Caster with square adapter
Dia.: 100mm w/brakes
Leg size: 30 x 30mm
Set for three



KC-100S

Caster with square adapter
Dia.: 100mm w/brakes
Leg size: 25.4 x 25.4mm (1")
Set for three



KC-080S

Caster with square adapter
Dia.: 80mm w/brakes
Leg size : 7/8" x 7/8" (22 x 22mm)
Set for three



KC-100 Caster

Dia.: 100mm w/brakes
and M10 attachment (17.5mm length)
Set for three



Super Viser is built by aluminum die casting body making it sturdy and lightweight. The moveable jaws are designed for mounting on the tubes or planks upto 101mm (228mm is available for longer version KCP-601). With the innovative grooved design on the threaded shaft, the both jaws can be kept on the same direction all the way. In addition to the 16mm pin terminated at the end of shaft, the unique design of 16mm socket is also built on the clamp that allows all accessories of Convi. Clamp can fit into Super viser



Features:

1. The groove on the threaded shaft keeps both jaws in the same direction all the time.
2. The P.U. pad on the jaws offer excellent grasp and protection from surface of tube s or plank.
3. The threaded shaft terminates as a 16 mm pin for mounting lighting fixtures or grip accessories.
4. The adaptor socket complements the full range of Convi clamp.
5. The ergonomically designed handle provides biggest torque.

KCP-600 4”(11.40cm) Super Viser



KCP-601 9”(22.90cm) Super Viser



Application:



KCP-605, is 11.9" (30cm) long chain clamp with 6" (10" is also available for KCP-606) of steel chain. With the flexible chains, it can hold around any shape of wide size objects and adjust quickly by turning 5/8" baby stud in the rear of clamp. Meanwhile, the safety T-handle is also designed to eliminate any risks of unexpected looseness of the trigger.



Features:

1. Ideal for holds awkwardly shaped pieces.
2. Easy to adjust pressure and fit work with turning the 5/8" baby stud in the rear of clamp.
3. The chain built by high-grade heat-treated alloy steel for maximum toughness and durability.
4. Two 5/8" baby pin provides strong support for lighting fixture with opposite directions.
5. The embossed neck of 5/8" baby studs offer the maximum friction for mounting lighting fixture.



Embossed neck offers the maximum friction



Always lock with safety T-handle for better protection.



On the tree

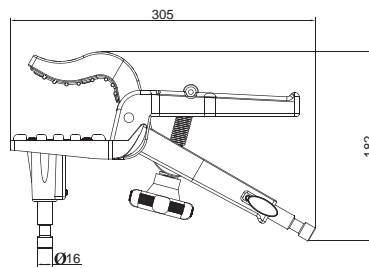


On the steel tube

KCP-500 Large Gaffer Grip

Quick release multi-purpose clamp which will grip flat surface or barrels. It comes with a tension control knob and a 5/8" socket & stud for two small fixtures or grip items. The clamp works on diameter from 1/4" to 3-1/8".

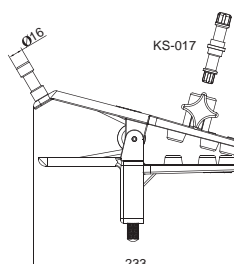
Weight: 1.25kg (2.8lbs)



KCP-550 Small Adjustable Gaffer Grip

Two small fixtures or grip items can be mounted onto the 5/8" spigots including one fixed on the clamp and the other is detachable stud, which is with 3/8" and 1/4" thread, embedded in the 5/8" female receiver. Jaws is adjustable from 0.98 - 2.56" (2.5 - 6.5cm).

Weight: 0.66kg (1.5lbs)





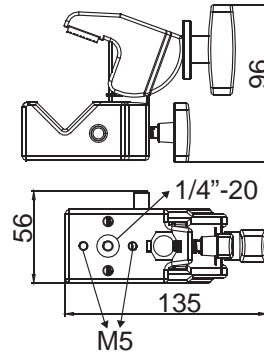
Convi Clamp

The Convi clamp, is made of lightweight cast alloy, can be securely mounted on any tube from 5 to 51mm and equipped with a saddle for mounting onto flat surfaces. The Elastic P.U. Pad also reduces surface damage and enhances gripping action. All mental parts are made of stainless steel for sturdier and anti-rusted features. The die -casting aluminum of locking knob provides with most rugged advantage. With built-in female socket allows the use of any attachments to hold anything from backgrounds to lighting fixtures. The spring safety locking system also offers double insurance while the screw locking action is not completely finished.



KCP-700B Convi Clamp-Black
KCP-700P Convi Clamp-Silver

max 20kg 44lbs **W** 0.45kg 1lbs



KCP-710B Convi Clamp w/Adjustable Handle-Black
KCP-710P Convi Clamp w/Adjustable Handle-Silver

The Convi clamp with Adjustable Steel Handle features a ratcheted handle that allows to reposition it should you not have clearance to rotate the handle in a complete circle to tighten or loosen it.

max 20kg 44lbs **W** 0.45kg 1lbs



KCP-7SDL Convi Clamp Saddle
 Allow to use the clamp on most flat Surface such as a table without a tool. Set for four.



KD-730B
Convi Clamp Double Socket-Black
KD-730P
Convi Clamp Double Socket-Silver
 Offer an additional 5/8" (16mm) socket to Convi clamp



KCP-720B Double Convi Clamp-Black

KCP-720P Double Convi Clamp-Silver

Assembled by two Convi Clamps provides a 90 degree angle and perfect for supporting a crossbar for background on kupoles.



KCP-260B Grip Head w/Hex Stud

The Grip Head with Hex Stud is identical to the 2-1/2" Grip Head with big handle but not being mounting to a baby 5/8" (16mm) receiver, it's mounted to a hexagonal stud designed exclusively to fit the Convi clamp.



KCP-270B Convi Clamp Griphead

This is assembled by Convi clamp (KCP-700B) and Grip Head with Hex Stud (KCP-270B).



KCP-701P Toothy Convi Clamp - Silver

Designed for mounting on the trees with the teeth devices of clamp



KCP-265P Grip Head w/ Coupler

- ✓ Weight: 0.65KG (1.4lbs)
- ✓ Working load: 20KG (44lbs)



KCP-715P Toothy Convi Clamp w/ Coupler

- ✓ Weight: 1KG (2.2lbs)
- ✓ Working load: 15KG (33lbs)



KS-001
3/8" Snap In Pin



KS-002
1/2" Snap In Pin



KS-003
5/8" Snap In Pin



KS-004
M12 x 30 Stud



KS-005
M10 x 25 Stud



KS-006
M12 x 35 Threaded Socket



KS-007
M10 x 30 Threaded Socket



KS-008
Joining Stud/Swivel



KS-009
150mm Extension



KS-010
Offset Arm 215mm (8.4")



KD-790B Bracket Shelf Holder
L Bracket Shelf Holder
17cmW x 0.4cmD (Set for two)



KD-795B U Hook
Compact U Hooks -
Black (Set for two)



Application:

KS-010 with Convi Clamp



KD-790P with Convi Clamp



KS-011 100mm Square Mounting plate
 10X10 CM palte welded with a 5/8" hex stud for fitting into Convi clamp.



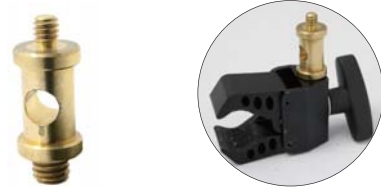
KS-012 Swivel Steel U hook
 Steel U hook with a hex pin perfect for hanging strobe packs, HMI babbalasts, or rigging background crossbars to light stands.



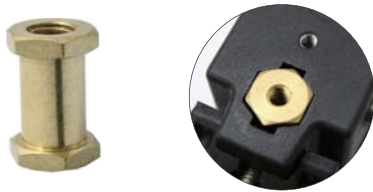
KS-014 Hex Stud 3/8"-16M & 1/4"-20M
 Solid bass hex camera stud is designed to Convi clamp. It comes with 3/8" -16 male and 1/4" -male thread to Mount camera directly to with a camera head.



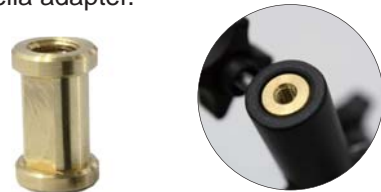
KS-014R Round stud 3/8"-16M & 1/4"-20M
 Solid bass round camera stud with 3/8" -16 male and 1/4" -20 female thread to Mount camera directly to with a camera head. This is replacement stud for the Tilting umbrella adapter.



KS-015 Hex Stud 3/8"-16F & 1/4"-20F
 Solid bass hex adapter is designed to Convi clamp. It comes with 3/8" -16 female and 1/4" -20 female thread.



KS-015R Round Stud 3/8"-16F & 1/4"-20F
 Solid bass round adapter comes with 3/8" -16 female and 1/4" -20 female. This is replacement stud for the Tilting umbrella adapter.



KS-016 90/45 degree Joining Stud
 Designed for Convi clamp can be joined back to back at right or repeatable angles.



KS-017 Universal 5/8" (16mm) stud w/ 3/8"-16M and 1/4"-20M
 Solid round brass made stud can fit into any 5/8" (16mm) receiver which can be the adapter from baby receiver to baby pin.



KS-018 5/8" (16mm) stud w/M10 thread
 Easy to be mounted on the yoke of lighting fixture with the M10 thread and butterfly knob. And connected with Convi clamp with 5/8" (16mm) stud.



KS-020/B 5/8" compact Alu. Snap in Pin
 Lightweight aluminum 5/8" (16mm) adapter with hex stud for Convi clamp and round head in the other side.



KS-023 3/8" head mounting plate w/ 5/8" stud
 Round flat plate made to mount head or any other accessory tapped with a female 3/8" -16 thread to Convi clamp or any equipment has a baby receiver.



KS-024 1/4" head mounting plate w/ 5/8" stud
 Round flat plate made to mount head or any other accessory tapped with a female 1/4" -20 thread to Convi clamp or any equipment has a baby receiver.



KS-025 Hex Camera stud 3/8"-16
 Hexagonal end is for Convi clamp and 3/8" -16 male in the end side for Camera. Made by solid brass.



KS-026 Hex Camera stud 1/4"-20
 Hexagonal end is for Convi clamp and 1/4" -20 male in the end side for Camera. Made by solid brass.



KS-027 5/8" (16mm) Male Adapter (M10)
 Steel made 5/8" (16mm) Adapter with tapped M10 thread female.



KS-052 3/8"-16F to 1/4"-20M adapter
 Solid brass made small adapter that converts a 3/8" -16 female thread to a 1/4" -20 male thread.



KS-063 3/8"-16M to 1/4"-20" F adapter
 Solid brass made small adapter that converts a 3/8" -16 male thread to a 1/4" -20 female thread.



KS-053 Adapter for thread 3/8"-16 to 1/4"-20
 Made to convert 3/8"-16 Thread for 1/4"-20 Screw And set for 5.



KS-051 1/4" M - 1/4" M Adapter Spigot
 Dual male stud with standard 1/4" 20 tripod thread



KS-054 3/8" M- 1/4" M Adapter Spigot
 Dual male stud with 3/8" to 1/4" thread adapter.



KS-074 Long Double Stud-5/8"

4.9" long double 5/8" baby stud designed to connect a light to Convi clamp or an arm with a grip head.



KS-076 5/8" Stud with 1/4"-20" Female Thread

3.5 inch long 5/8" baby stud with 1/4" -20 female thread which is designed to mount a stud on your tripod or anything with a 1/4-20" thread.



KS-031 Snap in Right Angle

Right angle 5/8" baby stud with hex stud in the other end for not rotating while fitting into Convi clamp. Hex stud fits into Convi clamp and longer right angle 5/8" baby stud for mounting lighting fixture or grip head.



KS-043 Right Angle Baby Wall Plate

3 X 5" (9X5 cm) plate welded with a right angle 5/8" baby stud. 8 anchor points are for nail or screws giving options for mounting anywhere. May be used on a wall, ceiling, or an apple box where there is not easy to set up a lighting stand or boom arm.



KS-044 9" Baby Wall Plate

With the same plate size and function as baby wall plate , but with welded 9" long 5/8" baby stud.



KS-045 6" Baby Wall Plate

With the same plate size and function as baby wall plate , but with welded 6" long 5/8" baby stud.



KS-046 3" Baby Wall Plate

With the same plate size and function as baby wall plate , but with welded 6" long 5/8" baby stud.



KS-048 Junior Wall plate

With the same plate size and function as baby wall plate, but welded with a 4" long 1-1/8" junior receiver for a larger lightings.



KS-047 Baby Receiver Plate

With the same plate size and function as baby wall plate , but welded with a 5/8" baby receiver. Great tool to mount a lighting fixture or grip accessories to a wall. A reserve mounting to a baby stand directly or take off the knob for access into junior receiver used as platform for monitor, speaker or lighting fixture.



KS-057 Offset Baby Wall Plate

With the same plate size and function as baby wall plate , but with welded 9" long post with 2 Baby (5/8") mounting studs for fixtures.



KS-030

28mm steel spigot with M10 thread and wing nut, attaches it to lighting yoke then fits into standard lighting stand with 28mm receiver.



KS-032

28mm steel spigot with M12 thread and wing nut, attaches it to lighting yoke then fits into standard lighting stand with 28mm receiver.



KS-034

Solid steel 28mm TV spigot tapped for M10 screw with washer, ideal for mounting lighting fixture directly on to stands or any TV clamps with 28mm receiver.



KS-090 TVMP Adapter

The TV to Motion Picture adapter is designed to attach on the yoke of lighting fixture that can be mounted the stand or fitting into a junior receiver of clamp rigged on the truss.



KS-060

Locking adapter for 5/8" light stand allows vertical or horizontal mounting of a light fixture, flash, or camera that has a 1/4"-20 threaded receptor.



KS-062

Locking adapter for 5/8" light stand allows vertical or horizontal mounting of a light fixture, flash, or camera that has a 3/8"-16 threaded receptor.



KS-070

Female Adapter 16 to 17mm. This is an aluminum female to female adapter. Used to converts a converts 5/8" male light stand top to a to 17mm female socket or to obtain a 17 mm female attachment from 16 mm spigot.



KS-071 Double Baby Receiver Adapter
5/8" (16mm) to 5/8" (16mm) female adapter made by Chrome plated steel with welded boss for long-lasting operation of the knob.



KS-040

28mm steel spigot with a 12cm round mounting plate fits into standard lighting stands or to convert a 28mm receiver to a M10 thread with wing nut.



KS-042

28mm steel spigot with a 12cm round mounting plate fits into standard lighting stands or to convert a 28mm receiver to a M12 thread with wing nut.



KS-080 Ball Race Spigot M10

A rotating 28mm spigot with M10 screw attached. Use this to make a lighting fixture into a follow spot. The smooth panning action is assured by roller bearing inside and a locking knob to control the position.



KS-082 Ball Race Spigot M12

A rotating 28mm spigot with M12 screw attached. Use this to make a lighting fixture into a follow spot. The smooth panning action is assured by roller bearing inside and a locking knob to control the position.



KS-029 Monitor Adapter

(Plate: 75mm x 75mm)



KD-M01P LCD Monitor Arm

Max. Load: 8 kg

Clamping Tube: Dia. 40 ~ 52mm

Mounting Plate: 75 x 75mm / 100 x 100mm



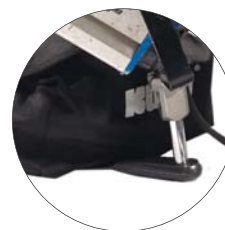
KS-200 Junior to Baby Adapter

This adapter converts 1-1/8" female receiver to 5/8" male stud. Well construction from solid steel with chrome plated. Very helpful to fits into a heavy duty light stands and T.V. clamps or turtle base C stand to mount standard studio flash or video lighting fixtures.



KS-049 Scraper

It is very handy for unusual placements. The 1.1mm thin metal plate for easily jamming into the seams between the door and wall, under a set of books on a bookshelf, held with a sandbag, clamped to a ladder step, in a rock crack, etc. The embossed neck of 16mm baby stud fixed on the plate also designed for firmly hanging small lighting fixture. Additional three anchor points for the screws and nails fixed on the woodenware or ground.



KCP-230 Griphead
w/ Swivel 5/8" Pin



KCP-310 EZ Grip Finger
The 16mm socket (inside) or 28mm (outside) attached to the ball joint pivots from -45° to 90° while the collar rotates 360° incorporated a 5/8" pin.



KCP-311 EZ Grip Receiver
The 16mm socket attached to the ball joint pivots from -45° to 90° while the collar rotates 360° incorporated a 16mm socket.



KCP-320 EZ Grip Twins
The 5/8" attached to the ball joint pivots from -45° to 90° while the collar rotates 360° incorporated a 5/8" pin.



KCP-340 Baby Plate w/EZ Grip Finger
The square plate attached to the ball joint pivots from -45° to 90° while the collar rotates 360° incorporated another 5/8" pin. (Plate size: 15cm x 9cm)



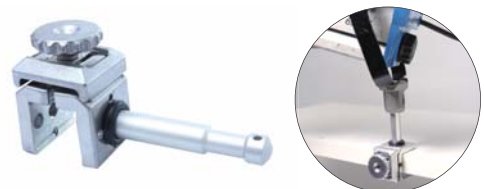
KCP-330 Tiny Clamp
Steel tiny clamp is ideal for clamping round tube from 2mm to 16mm. Thumbscrew and 1/4" male thread with locking ring for mounting a camera, radio transmitter and lightweight accessories.



KCP-400
Aluminum casting clamp with 5/8" baby receiver for attaching to 35x35mm square pipe.



KCP-420
Aluminum casting clamp with 5/8" baby stud for attaching to 35x35mm square pipe.



KD-CF16P
The same function as KD-CM16P but with 5/8" (Baby) receiver.



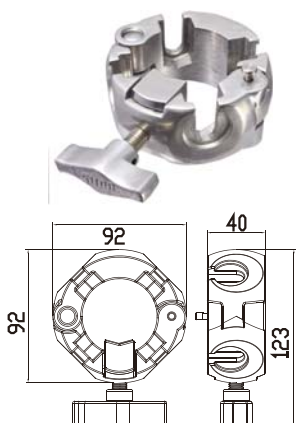
KD-CM16P
Designed for mounting a small light instrument from a drop ceiling frame with the 5/8" (Baby) stud.



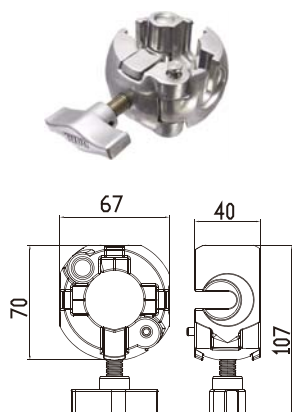
Four way clamp is constructed of aluminum dia-casting which is very lightweight and durable. The unique spring locking device makes locking just a snap and easy. The equipped P.U. pad also reduces surface damage and enhance gripping action. This is for coupling onto any tube size from 35mm to 50mm such as stands, kupoles, or scaffolds in vertical or horizontal way. The safety loading weight is up to 30KG (66 lbs)



KCP-950P 4 Way Clamp
for 35mm to 50mm tube



KCP-930P 3 Way Clamp
for 25mm to 35mm tube



Application:
Adapters connected with
4 way clamp



KS-091
Lightweight aluminum 5/8"
stud for grip head
(total length: 108mm)



KS-092
Lightweight aluminum 5/8"
Male Adapter
(total length: 66mm)



KS-093
Lightweight aluminum 5/8"
Female Socket Adapter



KS-094
Solid steel right angle baby stud



KCP-620P
Lightweight aluminum Petite
Clamp for 16mm (5/8") tube



Application



With Camare Bracket



With Lighting Fixture

KS-058 Baby Offset Arm

The 380mm Baby Offset Arm with two baby pins and one baby receiver, mounts on a baby stand where a light cannot be placed as close as desired to a subject or need to come over the top of the set to hide the stand behind a set wall. Caution: When offsetting a light also offsets the weight, it is necessary to place a sandbag or counterweight to prevent the tipping of the stand.



KS-059 Junior Offset Arm

The 470mm Junior Offset Arm with a junior pin and receiver, offset a large light fixture from its stand. Mounts to a stand with a junior pin top, with junior receiver which light can be mounted either over or under way (a safety linchpin is attached).



KCP-808 Baby Side Arm

Baby side arm with heavy duty coupler fits on diameters from 40-52mm tube with total length 380mm and double baby pins. This enables you to position of a light head or grip head at a lower position or mounts an additional light without the need for another stand.



KCP-809 Junior Side Arm

A heavy duty couplers with 380mm side arm and junior receiver which allow offsetting or adding a large light fixture on a stand either over or under way (a safety linchpin is attached).



KCP-806 Side Arm with Baby Pin/ Receiver

The same function as KCP-808 but specially design for tube size from 31cm (1.25") to 38cm (1.50"). For example, it can fit into C-stand tube size 35 mm (1.4"). With the welding adapters included one baby pin and baby receiver, it offers the flexibility of connecting the small lighting fixture with the baby pin and other accessories with the baby receiver.



KCP-300 Articulated Arm

Articulated arm to lock and hold small lighting and effects in accurate position. The end socket is a 5/8" baby pin on the outside which can hold small lighting fixture. The inside is a 3/8"-16 thread which will accept the standard dot and camera accessories. Weight: 0.86kg



KS-019 Swivel Extension Arm w/5/8" Receiver

A mini extension arm with 5/8" baby receiver and a hexagonal stud on the other side for fitting into Convi clamp. The double ball elbow joint offering the ability to articulate the two sides in any directions.



KD-735P Mini Flex Arm with Alligator Clip

The Mini Flex Arm with Alligator Clip is a flexible arm with a 3/8" -16 female thread tapped inside A baby 5/8" (16mm) stud on one side and an alligator clip on the other. It' s the perfect acceeory to hold small items such as a mini flag or reflector. It' s 11.4" (29cm) in length.



KCP-343 Flex Arm Kit for Dots and Fingers

The kits comes with a 14mm diameter, 45cm long double 3/8"-16 female threads flex arm and two adapters included KS-038 which is hex adapter tapped with a 3/8" -16 female thread at one end and a 3/8"-16 male thread at the other for connecting to flex arm with Convi clamp and KS-038DR which is dot receiver with 3/8"-16 female thread and 16mm O.D. as a baby pin. Each adapter can be fixed with included M4 set screw, it offers the flexibility to fix or unfix the adapters from the arm whenever there is 3/8" -16 threads available. It is good for positioning of small gobos, flags, reflectors, props or flash head.



KCP-344 Flex Arm

The 45 cm long flex arm comes with double 3/8"-16 female threads which connected with the brass made 3/8"-16 female and 1/4" male thread adapters. It works great with Convi clamp or stand with 3/8"-16 stand top for easy adjusting position of any objects mounted on the arm. The same way to fix and unfix the adapters from the arm by set screws as KCP-343 and KCP-345.



KCP-345 Flex Arm for French Flag

The 45 cm long flex arm comes with double 3/8"-16 female threads which attached with one side zinc casting clamp for connecting to camera and the other side with French flag holder which hold the flag to block unwanted light from hitting lens usually resulting in a lens flare.



KS-050 Flag holder

Designed to fit on KCP-345 Flex arm and made of zinc casting material with M6 thread.



KCP-346 French Flag

Black Metal French flag for blocking lightings (40 cm X 25cm)



KS-038 Hex Adapter

Hex adapter with 3/8"-16 male thread



KS-038DR Dot Receiver

Dot receiver with 3/8"-16 male



KCP-610 Foamcore Fork

Four pointed steel pins with black powder coated to mount foam core and comes with a 5/8" baby stud. Designed to stab it into the side of foam core and may mount it on a stand, grip head or Convi clamp.

Weight: 0.4kg (0.88 lbs)



KCP-611 Foamcore Clamp

U-shaped steel holder with black powder coated to mount foam core and comes with a dia. 10mm chrome plated steel stud to connect with grip head. Two spike pins are attached with strings for securely fixed the foam core through the holes drilled on the both sides and the bottom of holders.

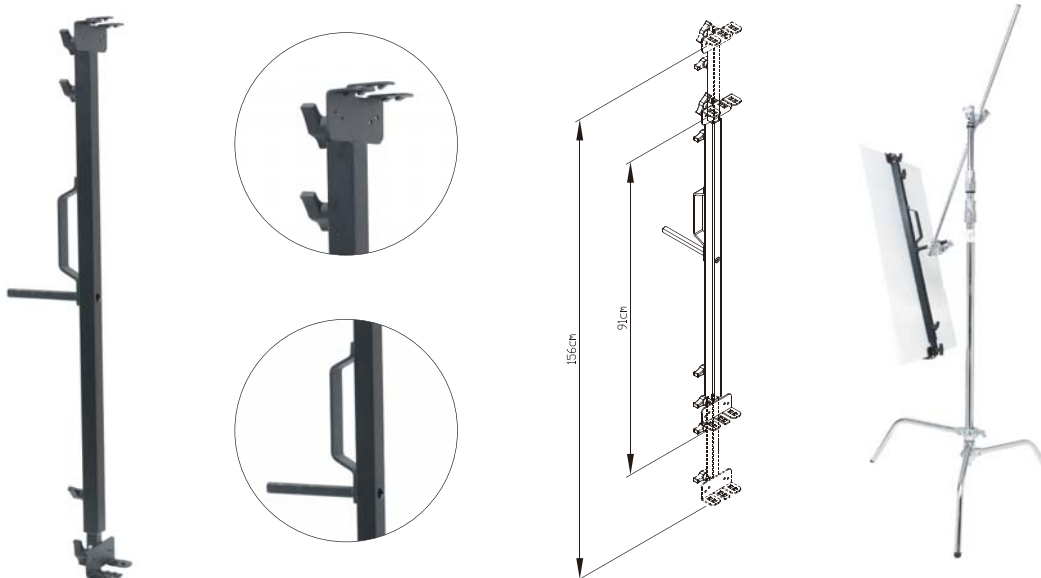
Weight: 0.5kg (1.76 lbs)



KCP-614 Adjustable Poly Holder

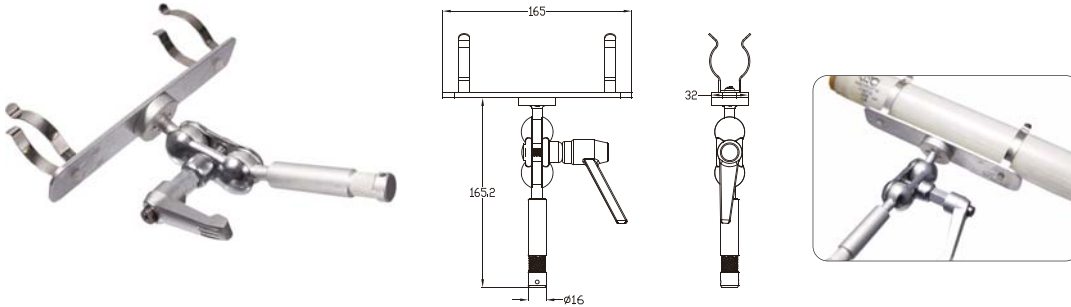
Adjustable poly holder is made by lightweight aluminum central tube and two durable extendable steel holders with anti-reflection black powder coating. This is designed for any thickness of polyboard, or foamcore sheets from 91cm (3 ft) to 156cm (5 ft). The extendable clip equipped in the end of each holder is used to hold a polyboard parallel to the floor while the poly holder is in a vertical position. The central aluminum tube comes with a 14.5cm length steel baby pin with milled flat on one side for mounting on C-stand through grip head KCP-200 securely. U-shaped handle is also fixed on the central tube to make it easy for moving or adjusting the angle of poly holder.

Weight: 2.5 kg (5.5lbs)



KCP-380 Kino Flo Fluorescent Lamp Holder

Designed for holding a single Kino Flo T-12 fluorescent lamp / tube with double spring steel clips. Swivel ball joint design comes with neck-embossed 5/8" Baby stud can neatly mount in a grip head, c-stand, or gaffer grip for offering multi-positions. Metal adjustable lever handle is designed for a specific handle position is desired. Weight: 300 g (0.66 lbs)



KCP-381 Off-Set Female Mounting Plate Adapter - 5/8"

The welded steel with chrome plated off-center adapter offers the excellent balance for the weight of fluorescent light on the center of a light stand.



KCP-724 Wall Spreader 2" x 4"

Designed for a background support, or an overhead beam to hanging lighting fixtures by placing cut lumber at each end. It can be used both horizontal and vertical positions.



KCP-650 Ruler Clamp

Locks onto posts, beams and objects with spans to 56cm(22") to support one or more lights or flags by included adapter with two 5/8" baby studs. Max. Length: 55cm(21.6") Available Link two for Extend



KS-055 Junior Multi Header

5 x 28mm socket & 28mm pin Length: 100cm (39.37")



KS-056 6 x lantern T bar

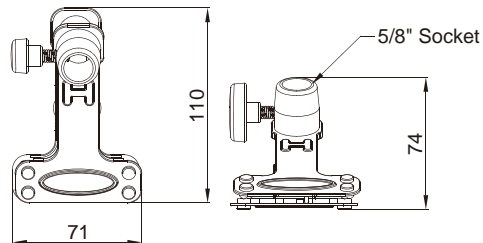
1420mm (55.9") long with KS-034 stud



KCP-350B Mini Ali Clamp - Black

KCP-350P Mini Ali Clamp - Polish

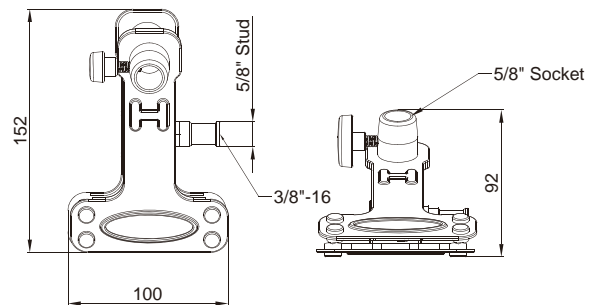
A compact clamp with 35mm clamping range similar to the Ali clamp but smaller. One of the most useful tool for photographer, it can mount to the top of any lighting stand with 5/8" socket or stud to hold props, reflectors and background drop or clip a small light fixture for tabletops shooting.



KCP-360B Ali Clamp - Black

KCP-360P Ali Clamp - Polish

It is a handy multi-purpose steel clamp features three attachment methods: a spring-tension with rubber feet protection clamp which has a clamping range of 5-40mm, a 5/8" female socket and a 5/8" stud so it can be mount into a lighting stand, Convi Clamp, Super Viser or Grip Head to hold reflectors, gels, foam cores or flash securely in the studio and on location.



KCP-390 Off Camera Flash Spring Clamp

Constructed by lightweight aluminum Ali clamp and sturdy steel ball head for off camera flash light in a variety of situations. The clamp also comes with adjustable aluminum cold shoes which offers not only different size holder of flash lights but also long-lasting operation than plastic one. It's easy and convenient to attach the clamp to the plank or tube from 5~40mm with the strong spring steel equipped inside the clamp. The 16mm stud with 3/8" thread hole and the sockets are attached with the clamp can be connected with light stands and umbrella.



Application

The holes designed for umbrella



KCP-101 MAX ARM

The Max arm is specially designed for lighting, video, film or stills use. The multi-positioning arm with 90° pivoting, 360° rotating ends and a 360° elbow rotates. The center adjustable lever handle to control and lock all three movements, which allows partial loosening for safe and precise positioning of a small light fixture or camera exactly at the angle you need it. Both ends come with a ball joint 5/8”(16mm) studs; one is tapped for a 3/8” and the other is tapped for a 1/4”. It is so versatile that can be set at any awkward position or odd place.

- W** 1KG (2.21lbs)
- ↓ max** 4KG (8.8lbs)
- H** 53CM (20.8inch)



6 milling flats



Teeth-device



Adjustable lever handle

Features:

1. Metal adjustable lever handle for easy making slight adjustment and can be rest to any angle. Ideal for clamping in a confined space, or a specific handle position is desired.
2. The metal-like engineering thermoplastic friction discs with teeth design offers a solid grip.
3. The storage length is 28.5cm and fully extend to 53cm with net weight 1kg only for compact & portable.
4. Both ball joint stud with multi-milling flats that can fit into baby socket fast and hold object stable.

KCP-101W MAX ARM WITH WHEEL HANDLE

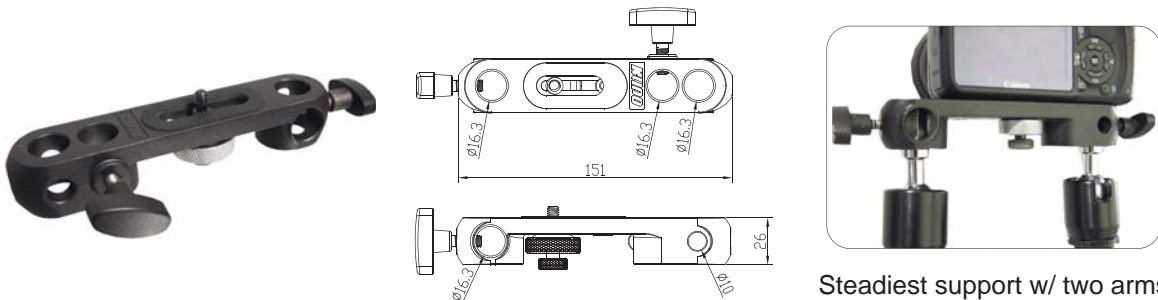
The function is as the same as KCP-101 Max Arm but with wheel handle which comes with rubber cover. This is standard accessory designed to KCP-101W for more comfortable and better torque while tightening the round knob especially for those users without gloves in cold working environment. This is made by silicon rubber which offers excellent weather ability for long-lasting operation.

- W** 1KG (2.21lbs)
- ↓ max** 4KG (8.8lbs)
- H** 53CM (20.8inch)



KS-CB01 CAMERA BRACKET

This Camera bracket is designed for Max Arm. Constructed by aluminum die casting which makes it very lightweight and durable. In addition to a standard 1/4-20 inch thread mount for a small camera, it also comes with a 1/4" to 3/8" adaptor to meet different size of thread mount. Meanwhile, there are four 3/8" female sockets available on the bracket that can be connected two max arms from each side gives the most stable. The 7mm female socket is also built for the need of the umbrella reflector.



Steadiest support w/ two arms

KS-CB02 Quick Release Camera Plate

The quick release plate is easy to set up and works great offering the ability to quickly move from tripod to hand held photography. Safety lock is also equipped to prevent the quick release from inadvertently opening. The standard 3/8"-16 thread is tapped on the bottom and a 1/4"-20 reducer bushing is attached makes it compatible with flash brackets, tripods, light stands, Convi clamps, etc.



KS-039 Adjustable Cold Shoe Mount

It's constructed by lightweight and durable aluminum providing a secure mounting option for virtually any type of shoe-mounted device - radio slaves, speedlights, light meters, etc. It also comes with spring-tensioned adjustment knob accepts to ensure strength and a secure fit to almost any flat foot of flash. Standard 1/4"-20 mounting thread is tapped on the bottom for quickly and easily attach to flash brackets, tripods, light stands, Convi clamps, etc.



KS-041 Hot Shoe Adapter 3/8" - 1/4" W/ Barrel Adapter

This adapter can fit on the hot shoe of most cameras. It terminates with a 3/8" to 1/4" threaded stud and is used as a Monitor Bracket or anything else that has a 1/4" -20 receiver. Two large knurled locking nuts are quipped for easy adjustment of the tension. It comes with a 1/4" -20 double female barrel adapter as the standard accessory that makes the 1/4" -20 receiver is available.





KCP-101CB Max Arm w/ Camera Bracket
 This is specially-designed articulated arm with a camera plate and ideal for mounting a camera or a camcorder exactly at the position you desire. Works perfectly with Convi. clamp KCP-700 by baby stud with 6 milled flats on the neck of the Max arm.



KCP-101QW Max Arm w/Quick Release Plate
 A variable friction Max arm equipped with a quick release camera plate for precise position. Works perfectly with Convi clamp KCP-700 or any clamps with 5/8" baby receiver.

KCP-101K Max Arm Kit
 The Same function as KCP-101CB but with more standard accessories included Convi clamp KCP-710, Max Arm KCP-101, Camera Bracket KS-CB01 and backlite base 013BS.



Applications of Max Arm



With backlite base stand for camera



With two Max arms on the bike for camera



With Convi. clamp for camera



With suction cup for DV



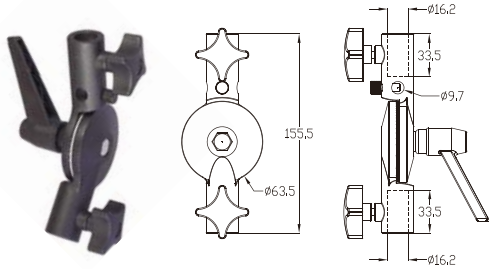
With Convi clamp for lighting



With Convi. clamp for camera

KS-101 Umbrella Swivel Bracket

Umbrella Swivel Bracket is made of aluminum and with 5/8" (16mm) receiver in both ends that can connect stands or accessories with baby pin to make aiming the light or flash easy with swivel design. The locking umbrella socket also accepts umbrella shafts up to 3/8" diameter.



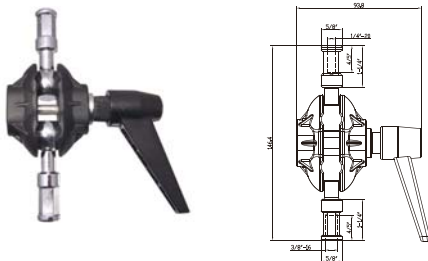
KS-102

Same function as KS-101 but with KS-014R & KS-015R which are two removable, reversible 5/8" studs with 1/4"-20 and 3/8" threads; and can be mounted various attachments like umbrella's, soft boxes, strobe's and speedlites.



KS-103 Versatile Swivel Adapter

Versatile Swivel Adapter comes with a two ball joint 5/8" (16mm) stud.; one is tapped for 3/8" and the other is for 1/4", offers you to clamp onto a support at odd angles with stands or suction cups. Both ball joint stud also designed to fit into baby socket likes convi. clamp, super viser and hold object stable.



KS-104

Versatile Swivel Adapter w/ KS-CB01
Same function as KS-103 but with Camera bracket.



KS-105

Versatile Swivel Adapter w/ KS-CB02.
Same function as KS-103 but with Quick release camera plate.



Application

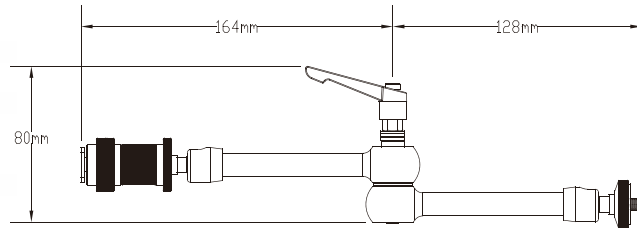


KCP-102 VISION ARM

The Kupo Vision Arm is functional, reliable, and durable articulated arm designed for a monitor or light accessories. Two arms and two swivel ball-joint attachments are locked solidly by rotate the single central lever which is adjustable help easy change the position of lever for your desired position. In addition the hot shoe adapter 3/8" -1/4" w/ barrel adapter is equipped that easily allows you to connect together two things with different thread sizes



Weight : 300G (0.65 lbs)
Length: 25cm (10 inch)



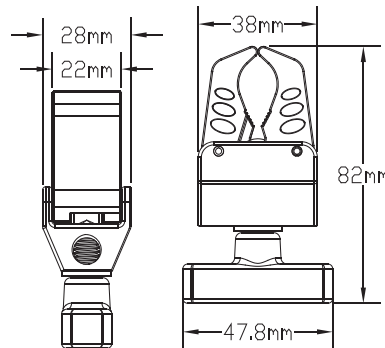
KCP-730B PINCER CLAMP

Pincer clamp is the mini version of Convi clamp with super lightweight and compact size advantage. The pad on the jaw provide stronger grip on the round, square and flat shapes. With 1/4" and 3/8" female sockets, it is an ideal for any lighting accessory.



Weight : 130 g
Material Aluminum
Fit tube size : 13~35mm

Loading weight : 5.5KG
Attachment 1/4" & 3/8"
Fit flat surface size : 5~20mm



Features:

1. Two jaws are aluminum extrusion makes it robust and durable.
2. Ergonomic aluminum casting knob offers better grip.
3. 1/4" and 3/8" female sockets can be used simultaneously without space limitation.
4. Inside steel spring keeps the jaws move smoothly while twisting the knob.

Application



With KS-017 Universal 16mm Stud



With KS-062 16mm Socket



With KCP-730B Vision Arm

Kupo Pumping Suction Cup offers a temporary solid light mounting solution for smooth, nonporous surfaces. Each Kupo Suction cup comes with 5/8" baby pin or 3/8" thread bolt to allow you to mount small lights or accessories on windows, mirrors, automobiles, boats and any smooth, nonporous surfaces. Because of excellent rubber material with silicon, it can be used at temperatures from -12 degree to 49 degree C. It's pumping in any adverse shooting circumstances.

KSC-01

9" Suction Cup with 16mm Baby Pin Position the cup pump the handle until the red line is hidden. Check the red line indicator on the plunger frequently. And re-pump it without removing when you find the red line out for safety. Max. Loading: 10KG (22lbs) Weight: 1.05KG (2.3lbs)



KSC-02

Double Suction Cup with 16mm Baby Pin Position the cup, push down the handle to remove air from between the rubber pad and the contact surface. Pull the handle vertically and remove the cup when not in use. Max. Loading: 15KG (33.1lbs) Weight: 1.7KG (3.7lbs)



KSC-03

6" pumping suction cup with 3/8" -16 thread x 5/8" length stud for use with ball head camera mounts. (Supplied with pad protector) Max. loading: 32KG(70 lbs) Weight:0.45 KG(1 lbs)



KSC-04

6" pumping suction cup with fixed baby pin (Supplied with pad protector) Max. loading: 32KG(70 lbs) Weight:0.47KG(1 .1lbs)



KSC-05

6" pumping suction cup with swiveling adapter, KS-103, which is detachable. Both ends of adapter come with a ball joint 5/8" (16mm stud); tapped for 3/8" and 1/4" . With pad protector, Max. loading: 4.5KG(9 lbs) Weight:0.7KG(1.54 lbs)



KSC-06

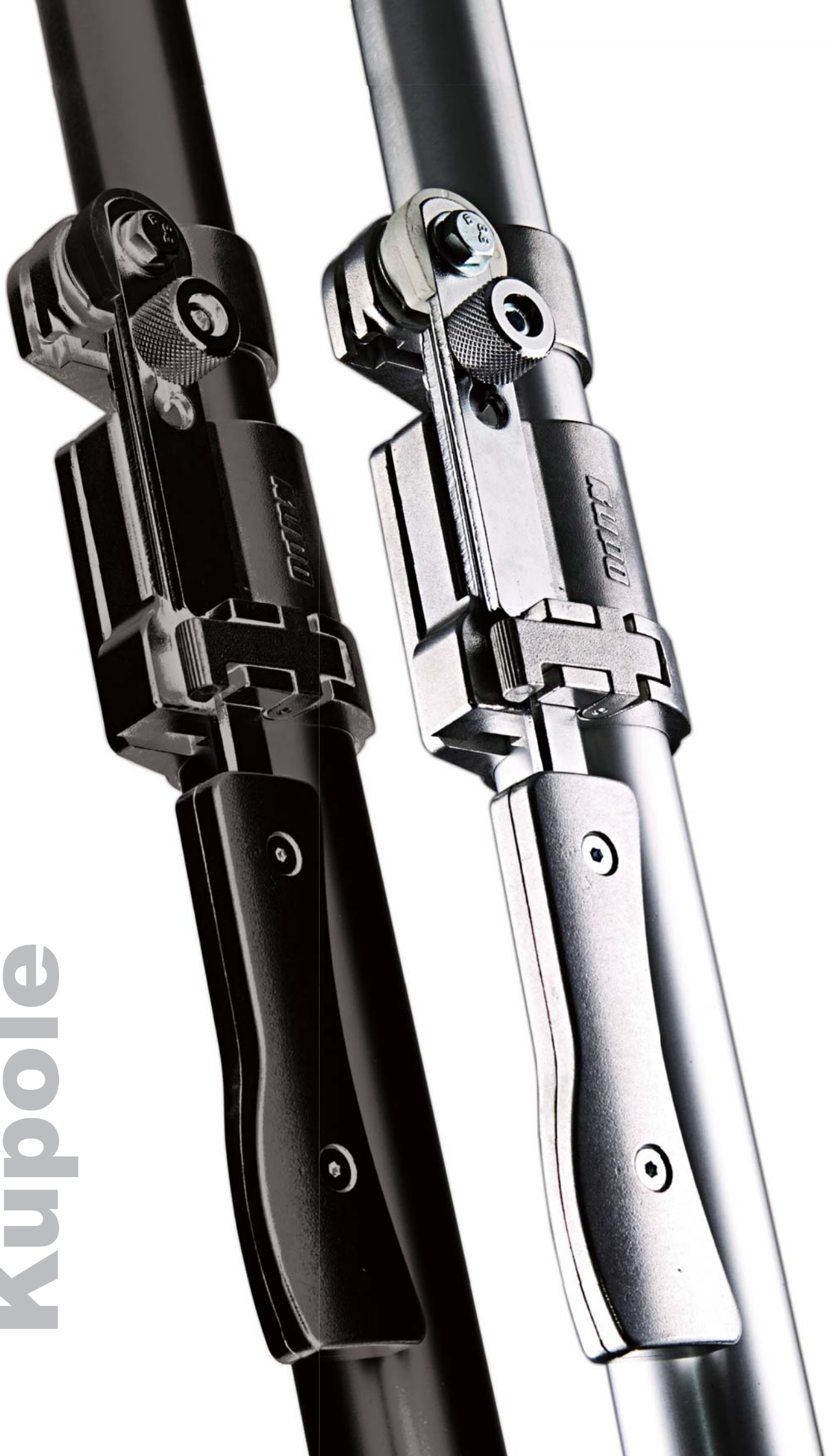
6" pumping suction cup with swivel baby pin which is fixed with cup (Supplied with pad protector) Max. loading: 20KG(44 lbs) Weight:1 KG(2.2lbs)



Application



Kupole



KUPOLE is strong, durable and cool adjustable lighting pole system. The unique locking device made in casting provides the pressure and locking system for holding the Kupole in place.

- Deluxe aluminum casting handle incorporates a safety lock.
- It can be used in vertical or horizontal support of lighting or backdrop.
- 2 adjustable settings for a variable tension adjustment.
- Manufacturing in pole dia.45mm and 40mm and three overlapping size up to 370cm.
- Both silver anodized and black powder coat finish available.



KP-L2137BD

Weight: 2.85KG (6.3lbs)
Extends from 210cm(83")
to 370cm(145")

KP-M1527BD

Weight: 2.45KG (5.4lbs)
Extends from 150cm(59")
to 270cm(106")

KP-S1017BD

Weight: 2.0KG (4.4lbs)
Extends form 100cm(39.4")
to 170cm(67")



KP-L2137PD

Weight: 2.85KG (6.3lbs)
Extends from 210cm(83")
to 370cm(145")

KP-M1527PD

Weight: 2.45KG (5.4lbs)
Extends from 150cm(59")
to 270cm(106")

KP-S1017PD

Weight: 2.0KG (4.4lbs)
Extends form 100cm(39.4")
to 170cm(67")



KP-X15P
KP-X15B

Weight: 0.53kg (1.2lbs)
Dia.: 40mm
Length: 1.5m (59.1")

KP-X20P
KP-X20B

Weight: 0.7kg (15lbs)
Dia.: 40mm
Length: 2.0m (78.7")



Safety lock



Adjustable setting



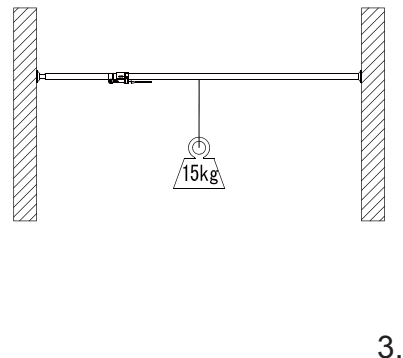
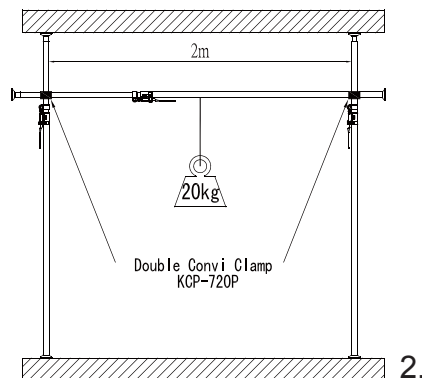
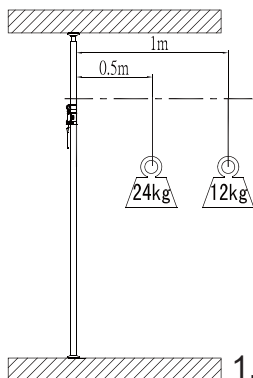
Spring cushion



Horizontal for lighting

Loading limits

- Picture 1&2 are valid for using with rigid floor and ceilings, and with the rubber pad attached on the rubber cover.
- Picture 3 is valid for operating with rigid wall to wall, and with the rubber pad attached on the rubber cover.



Rubber cover & Rubber pad of kupole

KP-SP02 White Top Rubber Cover



KP-SP03 White Bottom Rubber Cover



KP-SP01 White Rubber Pad



KP-SP04 Black Top Rubber Cover



KP-SP05 Black Bottom Rubber Cover



KD-B126P Kupole Base

The Kupole base is designed to convert Kupole to conventional stand whenever the ceiling is higher than 12' (3.6M) or a free-standing background is needed. The center base accepts 45mm diameter tubes. Leg diameter: 22mm with 49.6(126cm) footprint. Just remove the bottom rubber cover, silde on tripod base then replace the cover.



With Kupole

KD-R48P Kupole Disc Base

This is a sturdy 19" (48.3 cm) diameter and weight 12KG round metal base for Kupole. Use them for a clean streamlined look and ideal for visual merchandizing or displays.



With Kupole

KD-C50P Kupole Suspended Ceiling Adapter

Designed for connecting Kupole from a drop ceiling frame with the equipped adapter.



KD-T50P Kupole Adapter

weight: 0.55KG
Fits tube size from 48-51mm OD.
It connects the Kupole with the Truss



Assembling Kupo background support accessories with Kuploes and Convi clamps can easily create your own background system for shooting without any tool. It is very simple, reliable and flexible to meet your requirements of paper roll background system in the studio or on location shooting.



KP-DS01 Background Paper Drive set

Kupo Background paper drive set is a pair of adapters that expand and lock securely inside the core of roll of seamless paper. One adapter has a plastic cog that accepts a plastic drive chain so that you can adjust the length of your background comfortably and a tension control so the background doesn't unroll by itself due to gravity. The flexibility of this adapter can fit to 46mm~78mm dia. tube size. (The plastic chain and chain weight are included)



KP-KS01 Single hooks

The hook set is designed for paper drive set holder which connects with a pair of Convi clamps, and a set of paper drive set. (Set for two)



KP-KS02 Triple hooks

The same function as KP-KS01 but can accept three paper drive sets to support three rolls of seamless paper. It can also be mounted on a wall with screws or bolted to a pair of Convi Clamps. (Set for two)



KP-KS03B Plastic chain w/ 3.5M length (Black)

KP-KS03O Plastic chain w/ 3.5M length (Orange)

KP-KS03W Plastic chain w/3.5M length (White)

KP-KS03BL Plastic chain w/ 3.5M length (Blue)

Plastic Background Driving Set Chain is a replacement plastic chain with 3.5M (137") length for the background paper Drive Set. Different colors of chains are designed for easy color identification of different color paper rolls which are used on the Triple hooks. There are four colors included Black, White, Orange and Blue available.



KP-KS03B



KP-KS03W



KP-KS03O



KP-KS03BL

KP-KS04 Chain weight

This is a replacement Chain Weight to keep the plastic chain straight toward the ground. (Black)



Chain weight with chain

KP-X245P Aluminum tube

The Background Aluminum Tube is equipped with an aluminum solid core which allows you to assemble two sections of the tube quickly and securely with Allen key. The aluminum tube is designed for sliding into the seamless paper roll to connect between paper drive set and paper roll to prevent paper roll being bent because of gravity. The tube size is dia.50mm with 2.75M (9') length.



Tube in the paper roll

KP-KS05 Background baby hook

The hook is built by sturdy steel with anti-reflection black painting. This is designed to attach background paper drive set on the hook and easily connect a 16mm (5/8") stud on the top riser of a light stand. The unique design of 28mm OD can be also inserted into 28mm receiver after removing the knobs for the universal top head. In addition to the background paper drive set, the V shape hook can also accept the pipe size from 19~25 mm as the axis for supporting the paper roll.



in 16mm baby stud



in 28mm junior receiver

KS-300 Tethermate

Tethermate is specially designed for professional photographer with a portable and temporary plate mounted on the stand for "Tethered Shooting" to connect DSLR with lap top. It features an adapter beneath the plate with two 5/8" (16mm) baby receivers and 1/4" & 3/8" female thread which can fit to stands, tripods, Convi. Clamp, Max arm in seconds. With the advantages of lightweight aluminum material and the compact size 17.5" X 11.7" (445mmX 297mm), Tethermate is the ideal tethering plate for studio and location shooting especial for traveling instead of special dedicated base.



Features:

1. Two baby receivers are designed for horizontal and vertical application.
2. Velcro is equipped through the holes for fastening any objects on the plate securely.
3. Round edge treatment of the plate for better user friendly.



Application:



With KCP-600 Super Viser

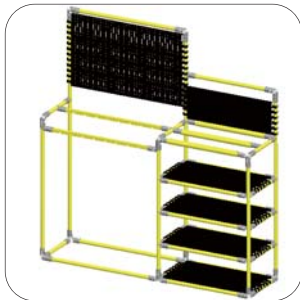


With KCP-101 Max Arm & KCP-700 Convi Clamp



With KCP-310 EZ Grip Finger

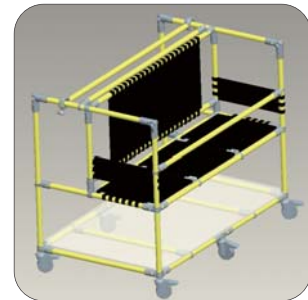
KSJ-100B
Demo Kits Set



KSJ-200P
Grip Car A



KSJ-300P
Grip Car B



KD-C01B
Curved Clamp - Black
For Dia. 35mm



KD-C01P
Curved Clamp - Polish
For Dia. 35mm



KD-C02B
2 Ways Joint - Black
For Dia. 35mm



KD-C02P
2 Ways Joint - Polish
For Dia. 35mm



KD-C03B
Joint with Screw - Black
For Dia. 35mm



KD-C03P
Joint with Screw - Polish
For Dia. 35mm



KD-C04B
Universal Joint - Black
For Dia. 35mm



KD-C04P
Universal Joint - Polish
For Dia. 35mm



KD-C0500 (500MM)
KD-C1000 (1000MM)
KD-C1500 (1500MM)
KD-C2000 (2000MM)



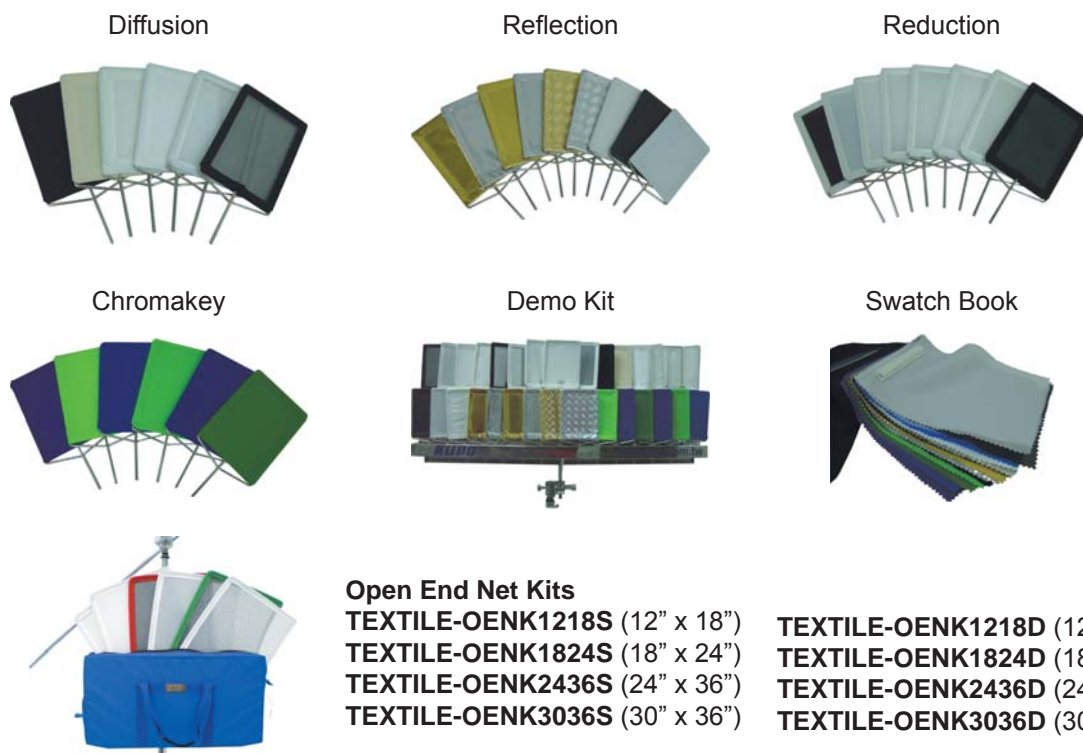
KD-840LB Panel W/Hole - Black (Length: 1080mm)
KD-840MB Panel W/Hole - Black (Length: 825mm)
KD-840SB Panel W/Hole - Black (Length: 440mm)

KD-841LB Panel - Black (Length: 1080mm)
KD-841MB Panel - Black (Length: 825mm)
KD-841SB Panel - Black (Length: 440mm)

KD-842LB Extension Panel W/Hole - Black (Length: 1080mm)
KD-842MB Extension Panel W/Hole - Black (Length: 825mm)
KD-842SB Extension Panel W/Hole - Black (Length: 440mm)

KD-843LB Extension Panel - Black (Length: 1080mm)
KD-843MB Extension Panel - Black (Length: 825mm)
KD-843SB Extension Panel - Black (Length: 440mm)





Open End Net Kits

- | | |
|--------------------------------------|--------------------------------------|
| TEXTILE-OENK1218S (12" x 18") | TEXTILE-OENK1218D (12" x 18") |
| TEXTILE-OENK1824S (18" x 24") | TEXTILE-OENK1824D (18" x 24") |
| TEXTILE-OENK2436S (24" x 36") | TEXTILE-OENK2436D (24" x 36") |
| TEXTILE-OENK3036S (30" x 36") | TEXTILE-OENK3036D (30" x 36") |

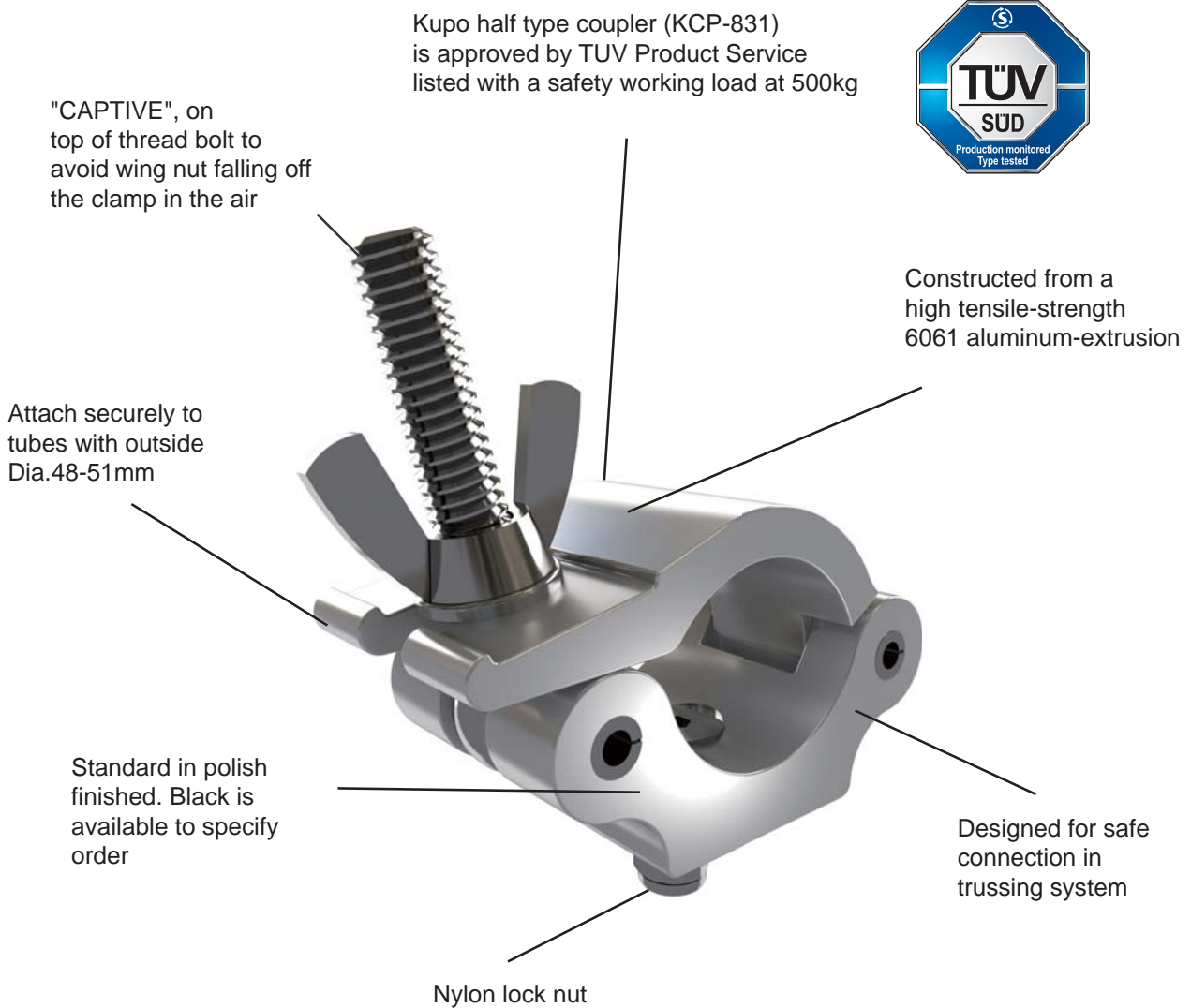
- Single black net ● Double black net ● Single white net ● Double black net
- Artificial silk ● 1/4 sike ● Standard Bag / Deluxe Bag with Separated pockets

Butterfly Textile	4' x 4'	6' x 6'	8' x 8'	12' x 12'	20' x 20'
Textile	(1.2m x 1.2m)	(1.8m x 1.8m)	(2.4m x 2.4m)	(3.6m x 3.6m)	(6m x 6m)
Bag Color	White	Red	Green	Yellow	Blue
Black Double Nets	KH-04-DNB	KH-06-DNB	KH-08-DNB	KH-12-DNB	KH-20-DNB
Black Single Nets	KH-04-SNB	KH-06-SNB	KH-08-SNB	KH-12-SNB	KH-20-SNB
White Double Nets	KH-04-DNW	KH-06-DNW	KH-08-DNW	KH-12-DNW	KH-20-DNW
White Single Nets	KH-04-SNW	KH-06-SNW	KH-08-SNW	KH-12-SNW	KH-20-SNW
1/4 Grid	KH-04-GQ	KH-06-GQ	KH-08-GQ	KH-12-GQ	KH-20-GQ
1/2 Grid (Lite Grid)	KH-04-GH	KH-06-GH	KH-08-GH	KH-12-GH	KH-20-GH
Full Grid (Gridcloth)	KH-04-GF	KH-06-GF	KH-08-GF	KH-12-GF	KH-20-GF
China Silk (White)	KH-04-CSW	KH-06-CSW	KH-08-CSW	KH-12-CSW	KH-20-CSW
China Silk (Black)	KH-04-CSB	KH-06-CSB	KH-08-CSB	KH-12-CSB	KH-20-CSB
Artificial Silk	KH-04-SK	KH-06-SK	KH-08-SK	KH-12-SK	KH-20-SK
1/4 Stop Silk	KH-04-SKQ	KH-06-SKQ	KH-08-SKQ	KH-12-SKQ	KH-20-SKQ
Mulsin Bleached	KH-04-RMB	KH-06-RMB	KH-08-RMB	KH-12-RMB	KH-20-RMB
Muslin Unbleached	KH-04-RMU	KH-06-RMU	KH-08-RMU	KH-12-RMU	KH-20-RMU
Griffolyn Black/White	KH-04-RGBW	KH-06-RGBW	KH-08-RGBW	KH-12-RGBW	KH-20-RGBW
Ultra Bounce Black/White	KH-04-RUBW	KH-06-RUBW	KH-08-RUBW	KH-12-RUBW	KH-20-RUBW
Half Soft Frost	KH-04-HSF	KH-06-HSF	KH-08-HSF	KH-12-HSF	KH-20-HSF
Full Soft Frost	KH-04-FSF	KH-06-FSF	KH-08-FSF	KH-12-FSF	KH-20-FSF
Hi Lite	KH-04-HL	KH-06-HL	KH-08-HL	KH-12-HL	KH-20-HL
Shiny Gold	KH-04-RSG	KH-06-RSG	KH-08-RSG	KH-12-RSG	KH-20-RSG
Shiny Silver	KH-04-RSS	KH-06-RSS	KH-08-RSS	KH-12-RSS	KH-20-RSS
Matte Gold	KH-04-RMG	KH-06-RMG	KH-08-RMG	KH-12-RMG	KH-20-RMG
Matte Silver	KH-04-RMS	KH-06-RMS	KH-08-RMS	KH-12-RMS	KH-20-RMS
Flector Gold	KH-04-RFG	KH-06-RFG	KH-08-RFG	KH-12-RFG	KH-20-RFG
Flector Silver	H-04-RFS	KH-06-RFS	KH-08-RFS	KH-12-RFS	KH-20-RFS
Lame Checkerboard	H-04-RLC	KH-06-RLC	KH-08-RLC	KH-12-RLC	KH-20-RLC
White Denim	KH-04-SWD	KH-06-SWD	KH-08-SWD	KH-12-SWD	KH-20-SWD
PVC	KH-04-SPVC	KH-06-SPVC	KH-08-SPVC	KH-12-SPVC	KH-20-SPVC
Heavy Duty	KH-04-SHD	KH-06-SHD	KH-08-SHD	KH-12-SHD	KH-20-SHD
Black Velveteen	KH-04-SBV	KH-06-SBV	KH-08-SBV	KH-12-SBV	KH-20-SBV
Chromakey - Digital Green	KH-04-CKDG	KH-06-CKDG	KH-08-CKDG	KH-12-CKDG	KH-20-CKDG
Chromakey - Analog Green	KH-04-CKAG	KH-06-CKAG	KH-08-CKAG	KH-12-CKAG	KH-20-CKAG
Chromakey - Digital Blue	KH-04-CKDB	KH-06-CKDB	KH-08-CKDB	KH-12-CKDB	KH-20-CKDB
Chromakey - Tempo Blue	KH-04-CKTB	KH-06-CKTB	KH-08-CKTB	KH-12-CKTB	KH-20-CKTB

Note: The butterfly textile is supplied with the color bag. It is easy to distinguish the size by different color.
 All Size of Flags and Open End Nets are Available!
 Custom Designs Welcome!

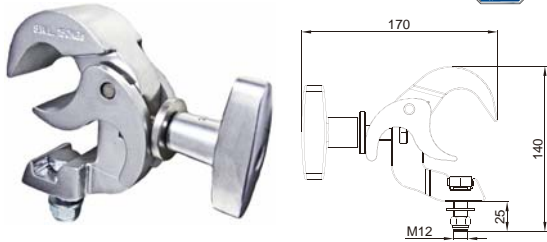
Couplers

Lightweight & low profile KUPO professional couplers are constructed from high tensile aluminum extrusion and have been developed for installations where load capacities of up to 500KG are required. The KUPO professional couplers combine strength and durability with a high degree of safety. The couplers are designed to fit tubes with diameter between 48mm-51mm. Most have been tested and certified with TUV approval for a safe working load of 500kg. The standard finish is polished. Custom color or logo is upon request.



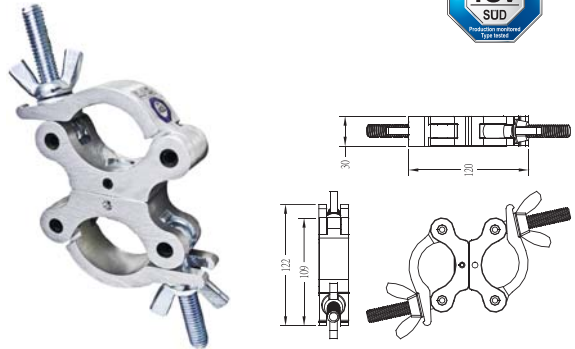
KCP-810 ARCH COUPLER

- ✓ Constructed from aluminum gravity casting.
- ✓ Big handle for easily using without obstructive bolt to palm and the brace.
- ✓ Counter sunk for M12/M10 Bolt & lock nut
- ✓ Fits tube size from 38-51mm OD.
- ✓ Working Load: 150KG (330lbs)
- ✓ Weight: 0.68KG (1.5lbs)



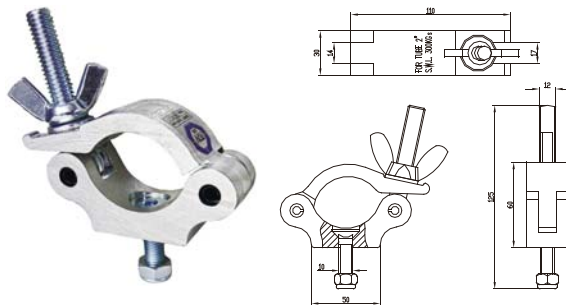
KCP-820 SLIM TYPE SWIVEL COUPLER

- ✓ Fits tube size from 48-51mm OD.
- ✓ Allow a full 360 degree of movement
- ✓ Drift pin for fixed in a 90 degree configuration
- ✓ Weight: 0.70KG (1.54lbs)
- ✓ Working load: 300KG (660lbs)



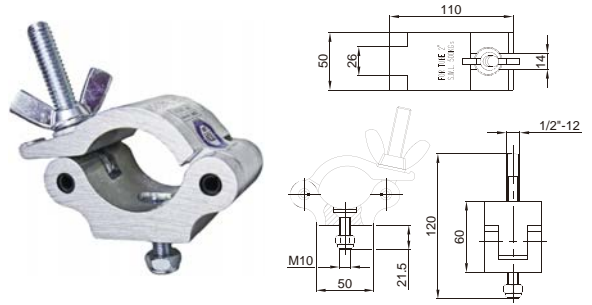
KCP-830 SLIM TYPE HALF COUPLER

- ✓ Fits tube size from 48-51mm OD.
- ✓ Square counter sunk
- ✓ Weight: 0.3KG (0.66lbs)
- ✓ Working load: 300KG (660lbs)



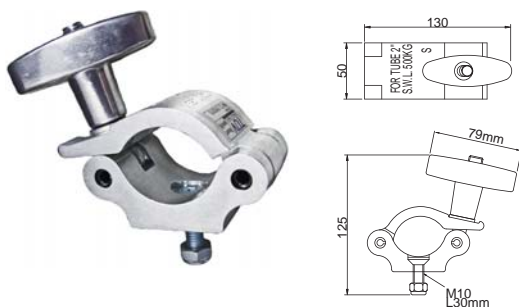
KCP-831 HALF COUPLER

- ✓ With a reated M10 x 28 bolt & lock nut
- ✓ Suitable for use with large lighting fixture
- ✓ Weight: 0.55KG (1.21lbs)
- ✓ Working load: 500KG (1100lbs)



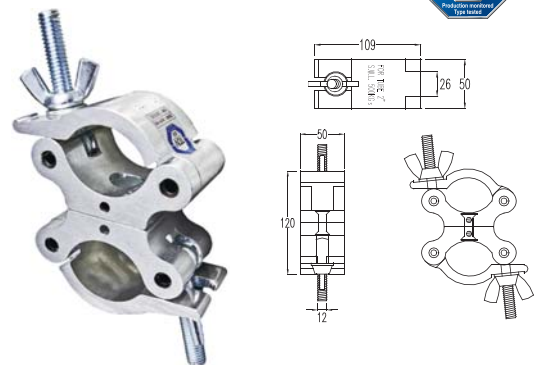
**KCP-831-T HALF COUPLER W/T-HANDLE
KCP-831B-T BLACK FINISH**

- ✓ With counter sunk for M10 x 28 bolt & lock nut
- ✓ Suitable for use with large lighting fixture
- ✓ Weight: 0.55KG (1.21lbs)
- ✓ Working load: 500KG (1100lbs)



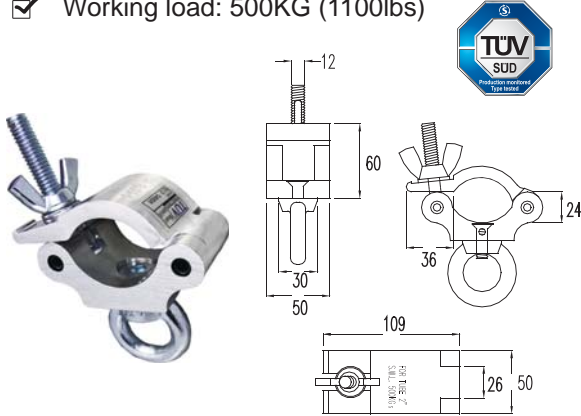
KCP-832 SWIVEL COUPLER

- ✓ Fits tube size from 48-51mm OD.
- ✓ Allow a full 360 degree of movement
- ✓ Drift pin for fixed in a 90 degree configuration
- ✓ Weight: 1.20KG (2.64lbs)
- ✓ Working load: 500KG (1100lbs)



KCP-833 EYE RING COUPLER

- ✓ Incorporate a freely rotating M12 eye ring
- ✓ Weight: 0.65KG (1.43lbs)
- ✓ Working load: 500KG (1100lbs)



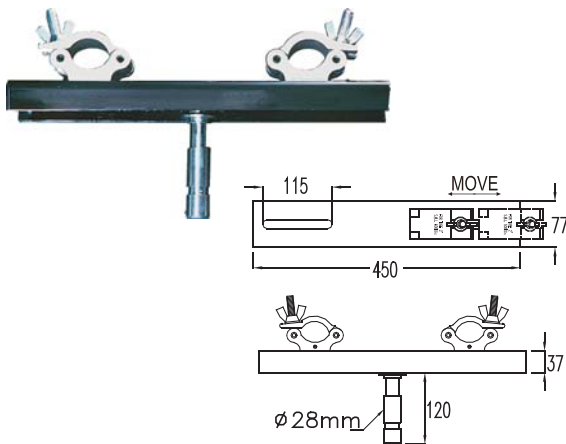
KCP-834 SPIGOT COUPLER

- ✓ Incorporate a 28mm (1-1/8") TV spigot
- ✓ Weight: 0.75KG (1.65lbs)
- ✓ Working load: 500KG (1100lbs)



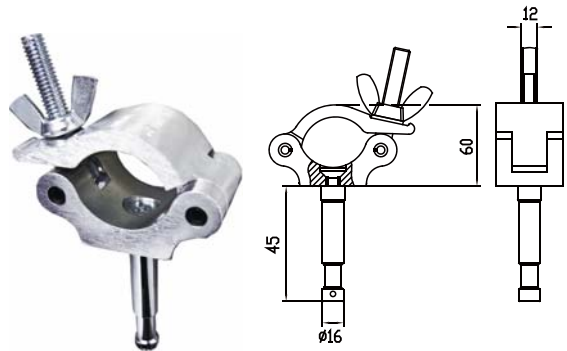
KCP-835 TRUSS COUPLER

- ✓ Suitable for all triangular/square truss sections
- ✓ Weight: 3.30KG (7.26lbs)



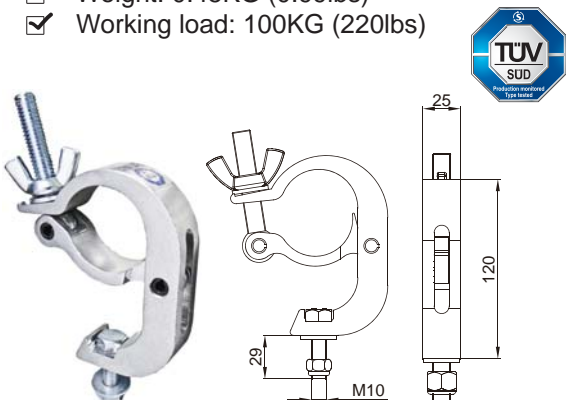
KCP-836 STUD COUPLER

- ✓ Incorporate a 16mm (5/8") stud
- ✓ Weight: 0.62KG (1.4lbs)



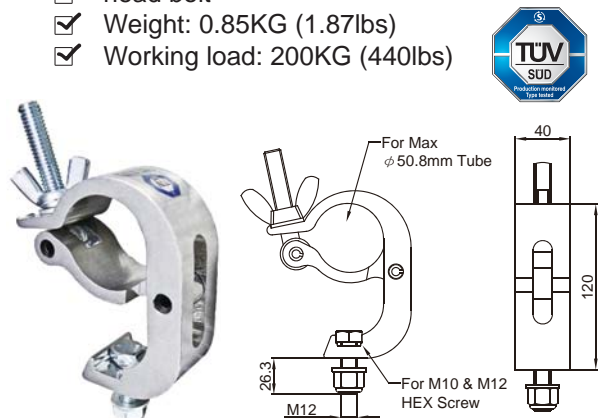
KCP-828 SLIM TYPE HANDCUFF CLAMP

- ✓ Save time and effort in hanging fixture
- ✓ Mounted with M10 bolt & lock nut
- ✓ Weight: 0.45KG (0.99lbs)
- ✓ Working load: 100KG (220lbs)



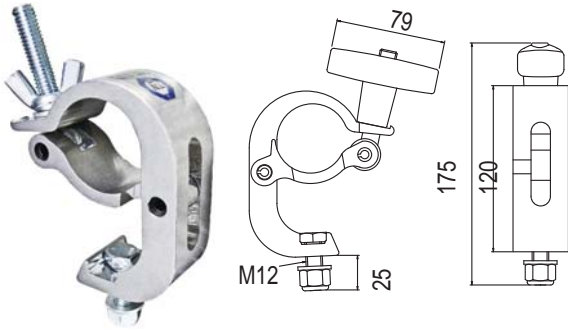
KCP-838 HANDCUFF CLAMP

- ✓ Save time and effort in hanging fixture
- ✓ Double level's counter sunk for M10 or M12 hex. head bolt
- ✓ Weight: 0.85KG (1.87lbs)
- ✓ Working load: 200KG (440lbs)



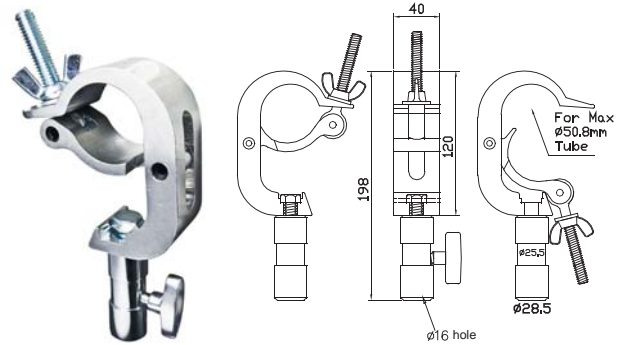
**KCP-838-T HANDCUFF CLAMP W/T-HANDLE
KCP-838B-T BLACK COLOR**

- ✓ Weight: 0.65KG (1.43lbs)
- ✓ Working load: 200KG (440lbs)



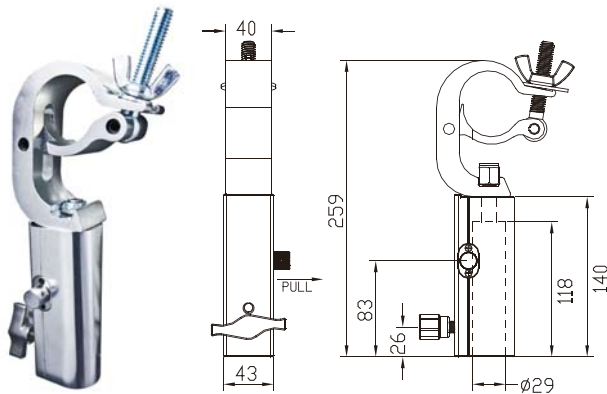
KCP-839 HANDCUFF CLAMP W/STUD

- ✓ With KS-090 yoke to stand adaptor 28mm stud 16mm socket
- ✓ Working load: 200KG (440lbs)



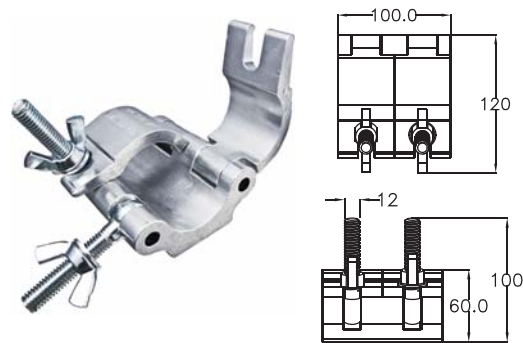
KCP-840P HANDCUFF CLAMP W/28MM SOCKET

- ✓ Fits tube 48~51mmOD. Supplied complete with 29mm socket with the safety lock system
- ✓ Weight: 1.05KG (2.31lbs)
- ✓ Working Load: 200KG (440lbs)



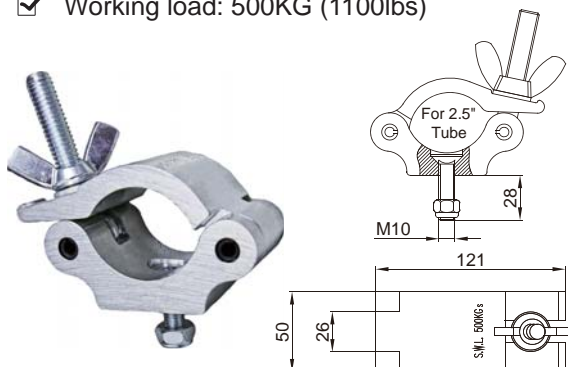
KCP-847 TUBE/ BARREL JOINER

- ✓ For quickly connecting two tubes together end to end
- ✓ Working load: 300KG (660lbs)



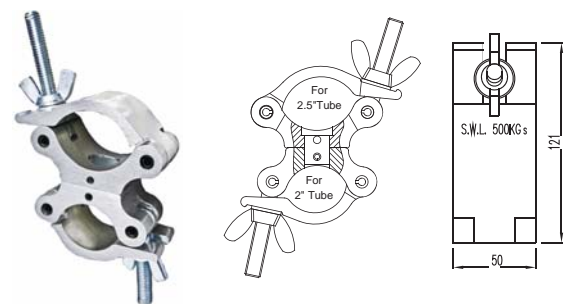
KCP-851 MIGHTY COUPLER

- ✓ For 2.5" (60mm) truss system
- ✓ Supplied complete with a rated M10 x 28 bolt & lock nut, suitable for use w/ large lighting fixtures
- ✓ Weight: 0.60KG (1.32lbs)
- ✓ Working load: 500KG (1100lbs)



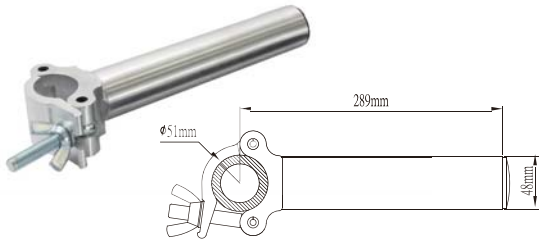
KCP-857 MIGHTY HALF SWIVEL COUPLER

- ✓ For 2.5" (60mm) to 2" (50mm) truss system
- ✓ Easily fixed in a 90° configuration w/drift pin
- ✓ Allowing a full 360° of movement
- ✓ Weight: 1.20KG (2.64lbs)
- ✓ Working load: 500KG (1100lbs)



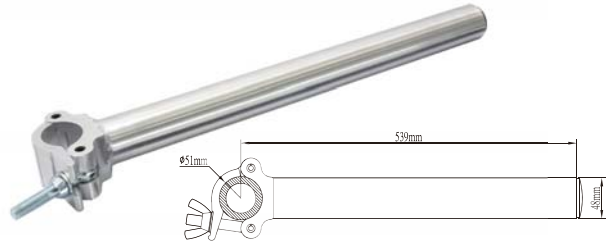
KCP-801 250mm ARM COUPLER

- ✓ Half coupler weld with OD51mm aluminum alloy tube, for versatile applications
- ✓ KCP-801 Working load: 80KG (176lbs)



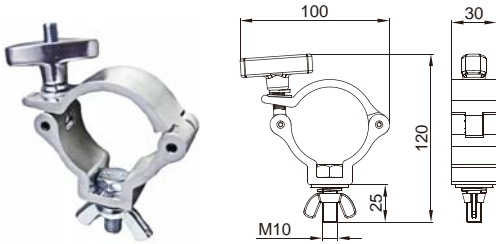
KCP-802 500mm ARM COUPLER

- ✓ Half coupler weld with OD51mm aluminum alloy tube, for versatile applications
- ✓ KCP-802 Working load: 40KG (88lbs)



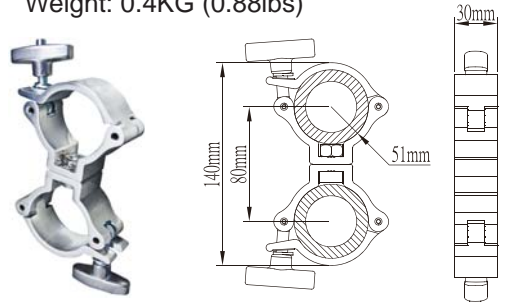
KCP-901 BURGER COUPLER

- ✓ Light-Weight coupler for small fittings
- ✓ For 2" truss system
- ✓ Coming with T-Handle
- ✓ Black and silver available
- ✓ Working load: 75KG (165lbs)
- ✓ Weight: 0.2KG (0.44lbs)



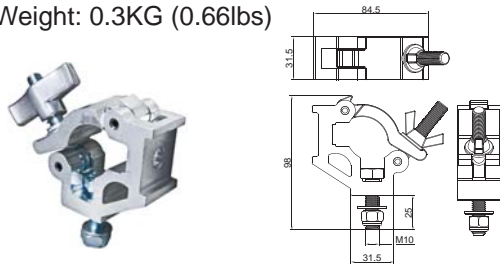
KCP-902 BURGER COUPLER SWIVEL TYPE

- ✓ For 2" truss system
- ✓ Coming with T-Handle
- ✓ Black and silver available
- ✓ Working load: 75KG (165lbs)
- ✓ Weight: 0.4KG (0.88lbs)



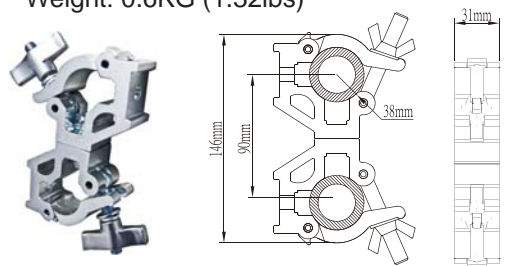
KCP-860 NUGGET COUPLER

- ✓ Fits the tube diameter 1.25~1.50"
- ✓ Double level's counter sunk for M10 or 3/8" hex screw
- ✓ Unique window for safety wire
- ✓ Working Load: 120KG (264lbs)
- ✓ Weight: 0.3KG (0.66lbs)



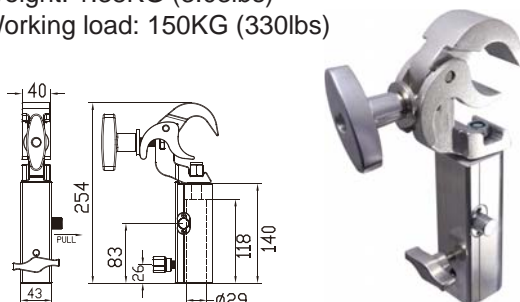
KCP-862 NUGGET COUPLER SWIVEL TYPE

- ✓ Fits the tube diameter 1.25~1.50"
- ✓ Coming with T-handle
- ✓ 3/8" hex screw
- ✓ Working Load: 120KG (264lbs)
- ✓ Weight: 0.6KG (1.32lbs)



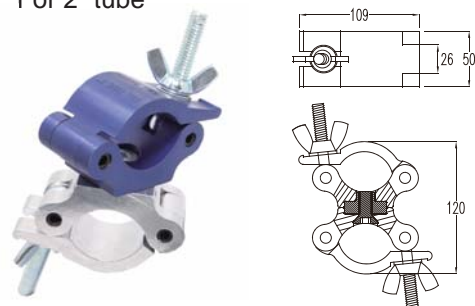
KCP-841P ARCH COUPLER WITH 28MM SOCKET

- ✓ Fits tube 48~51mm OD. Supplied complete with 29mm socket with pull-to-release safety lock
- ✓ Weight: 1.38KG (3.03lbs)
- ✓ Working load: 150KG (330lbs)



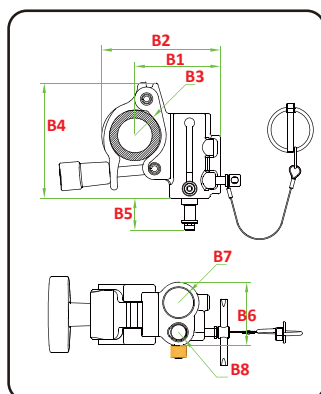
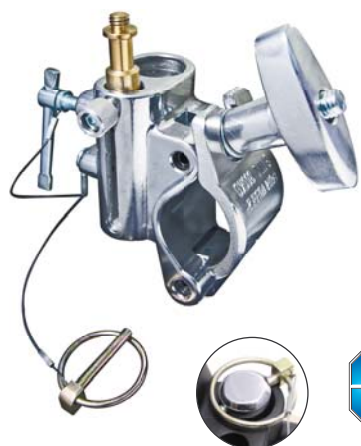
KCP-873 45-DEGREE COUPLER

- ✓ Swivel for every 45°
- ✓ Tighten or release to turn through hex tool
- ✓ No drift pin required
- ✓ For 2" tube



TV coupler is made to hook up the lighting equipment coming with a 16mm receiver or 28 mm spigot. It is equipped with a “safety linchpin” , a security device allowing user to preset it in the pin hole of 28 mm spigot before completely tightening and keeps coupler from unexpected drop-off.

KCP-844 Sliver
KCP-844B Black



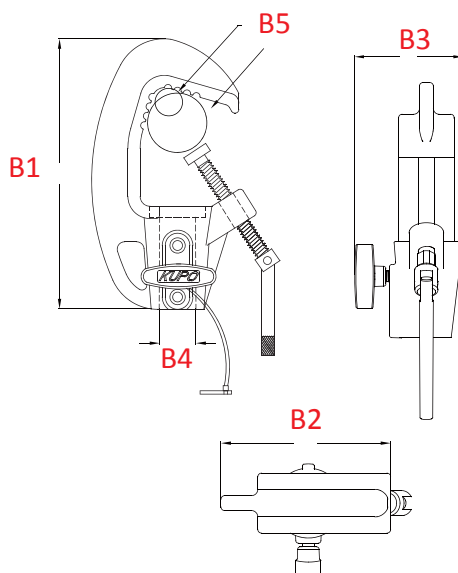
TV Coupler	
SWL	300 KG
B1	86 mm
B2	119 mm
B3	Ø 48-51 mm
B4	115 mm
B5	32 mm
B6	64 mm
B7	Ø 28 mm
B8	Ø 16 mm
Weight	0.90 KG

Features:

1. Constructed by rugged aluminum die-casting with TUV Approval.
2. With a 28 mm junior socket for luminaire or telescopic hanger.
3. The 3/8” threaded 16 mm baby stud is also available and alternated with 16 mm baby socket by spring latch bolt for lightweight luminaire and accessories.
4. Hook strut of top opening section limits the open pace that offers assistance to rig.
5. The safety wire is built with the clamp to ensure this essential safety aid is always on hand.
6. Linchpin is attached with the safety wire to keep it safety for pan adjustment of luminaire while the knob of clamp is loosen.

KCP-100B T.V. Clamp

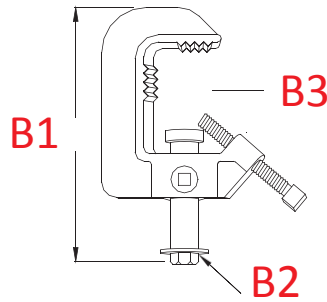
The KCP-100 T.V. Clamp is a heavy duty casting C clamp and supplied with a Tommy bar to improve grip. It terminates in a 28mm(1-1/8”) junior receiver. Collar ring on bushing for supplied safety hitch pin to pass through fixture spigot. There is a dedicated aperture in clamp body for attaching safety cable. This clamp works for diameter from 22-54mm round tube with load capacity 100kgs. It is ideal to hang all types of luminaries in T.V. studio and theaters.



SWL	100 KG
B1	220 mm
B2	120 mm
B3	90 mm
B4	Ø 29 mm
B5	Ø 22-54 mm

C-06 Heavy Duty Iron Casting Clamp

The old C clamp or pipe clamp is designed for most hanging applications. Intend for use from 1-1/2" to 2" O.D. iron pipe in theater. 2-1/2" long steel shaft with 1/2" -13 yoke bolt and wash. A square head pan set screw allows you to rotate the fixture. Comes in black powder coat finish.

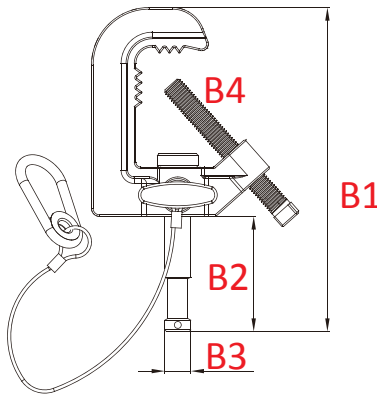


SWL	100 KG
B1	170 mm
B2	1/2"-13
B3	Ø 38-51 mm

Note: when using c-clamps care must be taken do not over-tight the pipe bolt which affixes the clamp to the batten. If this bolt is over-tighten, it can easily dimple or "drill" into the batten seriously compromising the strength of the batten. A finger tight plus half turn with the wrench is all that required.

C-16 Baby Pipe Clamp

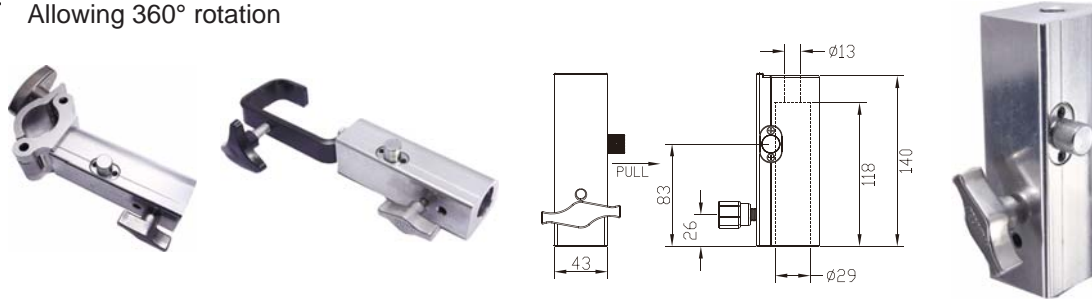
It is identical old C clamp but terminated with 16mm baby stud. The collar on the top of baby pin keeps it safety for pan adjustment of luminaries while the knob of clamp is loosened. The safety wire is also built with the clamp to ensure this essential safety aid is always on hand.



SWL	100 KG
B1	197 mm
B2	70 mm
B3	Ø 16 mm
B4	Ø 38-51 mm

KS-089 UNIVERSAL TV QUICK RECEIVER

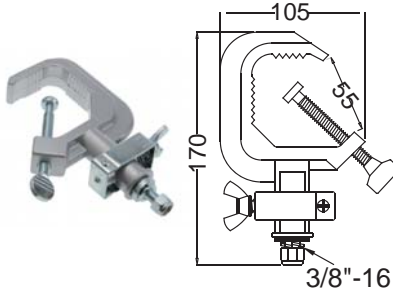
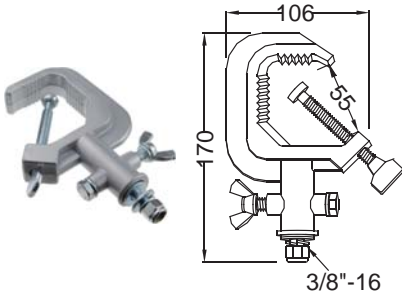
- ✓ An aluminum quick receiver which accepts and holds captive 28mm DIN or Euro spigot
- ✓ Affixing C clamp or stage coupler atop turns to be a professional TV clamp (C clamp or stage coupler is optional); assembly through long hex or wrench socket driver
- ✓ Allowing 360° rotation



C-05/B Hook Clamp
 Aluminum alloy/Black
 Working load: 150KG (330.7lbs)

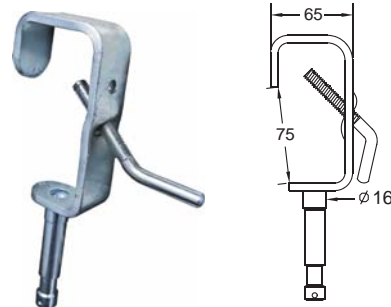
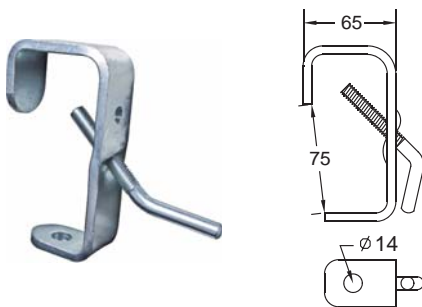
C-05QP Hook Clamp
 Quick Release aluminum alloy
 Working load: 150KG (330.7lbs)

KS-013
 Ø 17mm spigot w/ washer
 & lock nut for C-05 family.



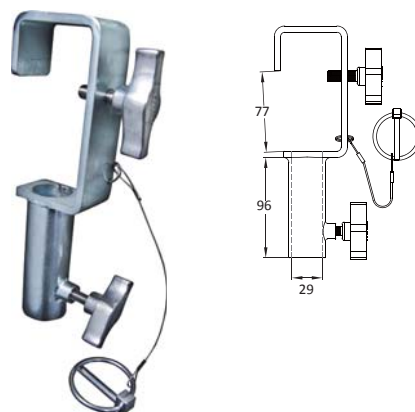
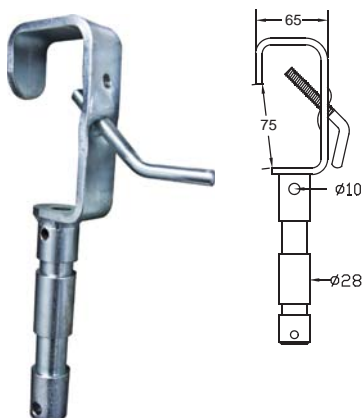
KCP-702 Stage Clamp with 14mm Hole

KCP-703 Stage Clamp with 16mm Stud



KCP-704 Stage Clamp with 28mm Stud

KCP-705 Stage Clamp with 29mm Socket



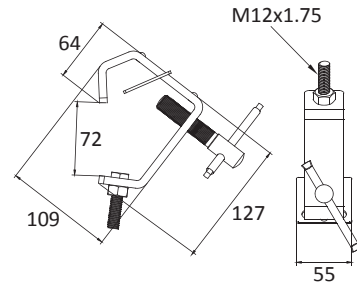
C-12 Heavy Duty Steel G Clamp

C-12 is made of 8mm x 38mm rolled steel with protective tab. A Tommy bar is included to provide a better leverage to tighten the pipe. It is ideal for hanging big lighting fixture like moving head and scanner. Fits tube size from 40-60mm. It is supplied with a welded M12 yoke bolt and nut. Standard finish in galvanized.



C-12 Silver

C-12B Black



WS-140 WINGNUT MULTI-SPANNER

Application

Its application is tighten large & small wingnut without damage. Fits M12, M10 & M8 Hex. bolts. Carbon steel with heat treatment. Easy to carry (it can be hang on belt by the hook) and nice looking. The features are impressed & practical the cost is economic and beneficial.



- 3 x Hex Bolt
- 2 x WingNut
- 2 x SetScrew
- 1 x Key Chain
- 1 x Bottle Opener
- 1 x Flat Screw Driver

Kupo safety wire is fabricated of galvanized steel wire, and constructed in accordance with DIN3055 and DIN3060. It is used as secondary bonding for rigging, lighting and other equipments to truss or stand, rendering a secondary flexible coupling in additional to regular fixture. Standard finish is metallic silver and black coating is available upon request.

SW-01 Safety Wire

Dia. 3.2mm / 75cm length
Safety load 10kg (22lbs)



SW-03 Safety Wire

Dia. 5mm / 100cm length
Safety load 50kg (110lbs)



SW-02 Safety Wire

Dia. 3mm (with PVC coat) / 70cm length
Safety load 5kg (11lbs)



SW-04 Safety Wire

Dia. 4.5mm (with PVC coat) / 75cm length
Safety load 10kg (22lbs)



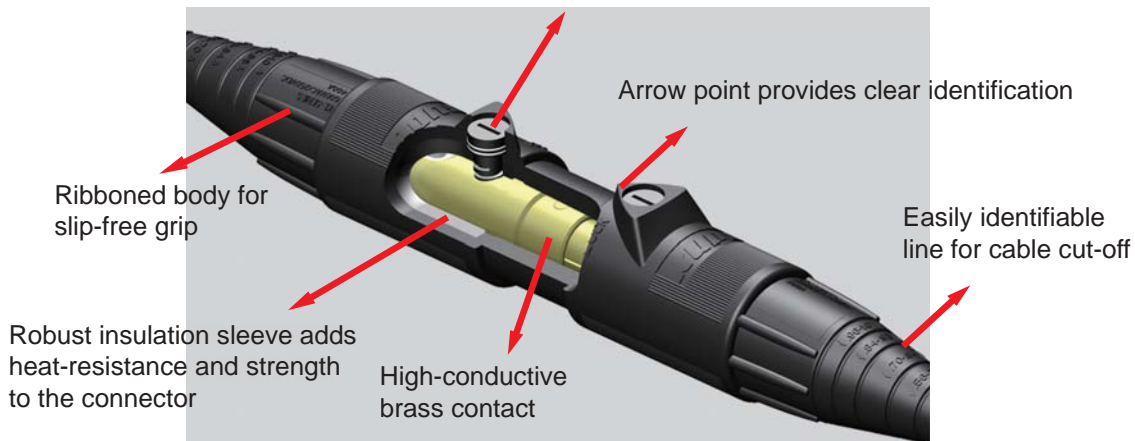
K-LOK

Features for K-LOK Single Pole Connector :

Kupo manufactures the highest quality single pole connectors available. Kupo cam-type connector has a superior non-conductive retaining screw that passed through the entire contact for superior durability. These single pole connectors have been designed with ease of assembly and disassembly in mind, no special tools are required. K-LOK series connectors mate with competitive CAM products.



Non-metallic retaining pin provides superior durability and insulation



Wide range cable access from 0.33" to 1"



Double set screw terminations



Technical Information:

Voltage Rating	600V Maximum	Contact Material	Brass
Amperage Rating	400A Maximum	Terminal Accommodation	#6, #4, #2, 2/0, 4/0
Base Compound	Santoprene 105°C rated	Retaining Pin Material	Phenolic



K-LOK / Plug

K-KOL / Receptacle

Color	K-LOK / Plug		Thread stud type		Double set Screws type	
	Male	Female	Male	Female	Male	Female
BLACK	KL-400LMBK	KL-400LFBK	KL-400SMBK	KL-400SFBK	KL-400SSMBK	KL-400SSFBK
RED	KL-400LMR	KL-400LFR	KL-400SMR	KL-400SFR	KL-400SSMR	KL-400SSFR
GREEN	KL-400LMG	KL-400LFG	KL-400SMG	KL-400SFG	KL-400SSMG	KL-400SSFG
WHITE	KL-400LMW	KL-400LFW	KL-400SMW	KL-400SFW	KL-400SSMW	KL-400SSFW
BLUE	KL-400LMB	KL-400LFB	KL-400SMB	KL-400SFB	KL-400SSMB	KL-400SSFB
BROWN	KL-400LMBN	KL-400LFBN	KL-400SMBN	KL-400SFBN	KL-400SSMBN	KL-400SSFBN
GREY	KL-400LMGY	KL-400LFGY	KL-400SMGY	KL-400SFGY	KL-400SSMGY	KL-400SSFGY

(compatible with major brands of power connectors)



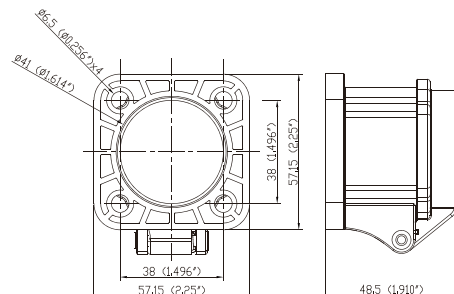
To fit smaller sizes of cable, the copper contact can be made with two smaller dimensions of cable-accessing hole upon request as following:

1. Dia. 16.90 mm (Large hole; standard K-LOK)
2. Dia. 14.60mm (Medium hole; upon request)
3. Dia. 10.40mm (Small hole; upon request)

K-LOK Dust Cover

Weatherproof snap back protective cover to fit all compatible brands of 400A cam type receptacles. Standard frame dimension allows retrofit existing application easily. The gasket offers a NEMA 3R rated environmental seal that provides a protection against falling rain, dust or frost, and also provides a safe way to cover exposed metal, while keeping the weather out when the receptacle is not use. Kupo Dust Cover is made from a high impact resistant, flame retardant ABS material and corrosion resistant stainless steel hardware. Five colors available for phase identification.

Cat. Number	Color
KL-DCBK	BLACK
KL-DCW	WHITE
KL-DCB	BLUE
KL-DCR	RED
KL-DCG	GREEN



KUPO 150A Single Pole Connector (Mini-Cam)

Mini-Cam is a series of 150 Amp light duty single pole connector in addition to heavy duty 400 Amp ones. Like its heavy duty family members, Mini-Cam is also constructed of Santonprene, possessing a superior performance in insulation. With enhanced features on safety designs and wider range of cable accommodation, Mini-Cam is the ideal and reliable connector for your own job.



Mini-Cam / Plug

Male	Female	Color
KL-150LMBK	KL-150LFBK	Black
KL-150LMR	KL-150LFR	Red
KL-150LMG	KL-150LFG	Green
KL-150LMW	KL-150LFW	White
KL-150LMB	KL-150LFB	Blue
KL-150LMBN	KL-150LFBN	Brown
KL-150LMGY	KL-150LFGY	Gray

The tension hole at rear side of split contact retains the contact from too much pressed, so as to prevent the loose mating after several time of uses.

Features:

- The boot is made of UV-resistance Santonprene, providing greater protection. Much safer and more durable.
- There comes a POM (Polyformaldehyde) ring in between boot and contact, fully encompassing the copper contact to make the first layer of insulation. The profile of this POM ring is 2 times longer than the others as to provide better insulation.
- Wider range of cable accommodation from #8 AWG to #2 AWG (outside diameter up to 13.60mm); those positions are clearly engraved on the boot for easy identification.
- Applied with same design as 400A ones, the contact comes with double set screws so the cable can be firmly engaged in the position.
- Largely-ribbed housing provides comfortable and secure gripping; prolonged body helps user to hold it firmly.
- Comes with two different length of set screw for maximum flexibility of matching different size of cable.
- Wire stripping scale is shown on the boot for user easy check-up while assembling the cable; outstanding arrow point provides convenient mark for mating the connectors.
- Compatible with other brands of same 150A rated connectors.
- UL/cUL certificated

Panel Mount Type

- The design of KUPO Panel Mount baby cam is same as Advanced Device' s.
- The instruction on the backside of body.
- The thread bolt is 19mm.



Mini-Cam / Receptacle

Male	Female	Color
KL-150SMBK	KL-150SFBK	Black
KL-150SMR	KL-150SFR	Red
KL-150SMG	KL-150SFG	Green
KL-150SMW	KL-150SFW	White
KL-150SMB	KL-150SFB	Blue
KL-150SMBN	KL-150SFBN	Brown
KL-150SMGY	KL-150SFGY	Gray

B&B stands for Blue lid and Black body, is specially designed for entertainment industry, for 250 voltage rating identification and antireflection with matt black finish. That makes the connectors harmonized with the background during a presentation of a production. The professional connector also has CE approval and IP 44 rating to meet the safety standard. It can work stable in low and high temperature indoor or outdoor environment; and widely applied to factor power distribution system, machinery, building site, stage equipments etc.

More Features:

1. Screw-free to lock the housings by twist-lock action.
2. Easy press by needle nose of tool to unlock and twist to open.
3. Lockable cable gland for a quick and firm grip.
4. Adjustable inner gasket for different cable diameters.
5. Constructed by anti-corrosive, high dielectric shock-resistance material.



**B&B
KHTN213**



**B&B
KHTN013**



**B&B
KHTN413**



CEE FORM CONNECTOR

Cat. No.	AMP	PIN	DESCRIPTION	Cat. No.	AMP	PIN	DESCRIPTION
KHTN013	16	3	cable male (B&B)	KHTN213	16	3	cable female (B&B)
KHTN014	16	4	cable male	KHTN214	16	4	cable female
KHTN023	32	3	cable male	KHTN223	32	3	cable female
KHTN025	32	5	cable male	KHTN225	32	5	cable female
				KHTN413	16	3	panel female (B&B)

SCHUKO CONNECTOR

Cat. No.	AMP	PIN	DESCRIPTION	Cat. No.	AMP	PIN	DESCRIPTION
131	16	2	cable male	CZ03	16	2	panel female

KHTN014



KHTN023



KHTN025



131



KHTN214



KHTN223



KHTN225

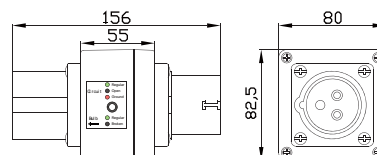


CZ03



CEE TESTER

Convenient and hand-held device to carry out testing for CEE extension cable. Also capable of diagnosing the condition of lamp without taking lamp out of fixture. Built-in LED indicator showing test result.



Rubber Distribution Box

Kupo Power distribution boxes are designed from the rubber material for the body and the 1.2mm thickness steel material for the sinking front panel. The rubber material makes the power distribution box stronger. It is sturdy, durable and lightweight. The internal wiring consists 1.5mmsq silicon cable as standard. The sinking front panel for a better protection of each connector. The following is the range of power distribution boxes, other variations of power distribution boxes are available upon request.

KRB-01 Rubber Distribution Box with Stage 3 pin connectors

- * 275mm (L) x 100mm (W) x 50mm (H)
- * with 4 channels stage 3 pin female socket & 32A CEE form Line male connectors.
- * with 40cm cable (wired)



KRB-02 Rubber Distribution Box with CEE form connectors

- * 275mm (L) x 100mm (W) x 50mm (H)
- * with 3 channels CEE form female socket & 32A CEE form Line male connectors.
- * with 40cm cable (wired)



KRB-03 Rubber Distribution Box with SHUKO connectors

- * 275mm (L) x 100mm (W) x 50mm (H)
- * with 4 channels SHUKO form female socket & 32A CEE form Line male connectors.
- * with 40cm cable (wired)



Custom Designs Welcome!

Head-to-Ballast Connector

The KUPO HB connectors' range is designed to meet the needs of head to ballast connections. HB series covers the range of power from 575W to 18KW used by Arri.

Features:

- * Compatible with Veam CIR connectors
- * Machined aluminum bodies with ribbed coupling ring to provide easy manual coupling and uncoupling
- * Back-shell with scratch-resistant and black anodized
- * Back-shell and cable clamps to fit different cable O.D.
- * Waterproof to IP67
- * Solder Type

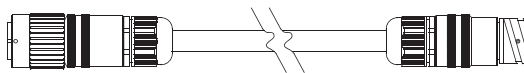


Cross Reference for Various Brands

BRAND	ARRI	De-Sisti	STRAND	MOLE	SUNRAY	LTM	CINEMILLS
575W	2407-W	2407-Z	2407-Z	2407-Z	2407-Z		2407-Z
1200W	2407-W	2407-W	2407-W	2407-W	2407-W		2407-W
2500W	2407-O	2407-O	2407-O		2407-O	2407-O	2407-O
4000W	2407-O						
6000W	2806						
12KW	2809						
18KW	2809						

* We keep all the above models in stock for inline male and female assembly.
 * WPC-2407 series is available in different key position arrangement for various lighting fixtures; WPC-2806 & WPC-2809 series are only for 6K-18K Arri lights.

HEAD TO BALLAST CABLE



Cat. No.	Description
HB-1.2K-7M	1.5mm 7M, WPC-2407LM-W+WPC-2407LF-W (ARRI 575W /1200W)
HB-1.2K-15M	1.5mm 15M, WPC-2407LM-W+WPC-2407LF-W (ARRI 575W/1200W)
HB-4K-7M	2.5mm 7M, WPC-2407LM-O+WPC-2407LF-O (ARRI 2500W/4000W)
HB-4K-15M	2.5mm 15M, WPC-2407LM-O+WPC-2407LF-O (ARRI 2500W/4000W)
HB-6K-7M	3C x 16mm+3C x 1.5mm 7M, WPC-2806LM+WPC-2806LF (ARRI 6000W)
HB-6K-15M	3C x 16mm+3C x 1.5mm 15M, WPC-2806LM+WPC-2806LF (ARRI 6000W)
HB-12K-7M	4C x 16mm+5C x 1.5mm 7M, WPC-2809LM+WPC-2809LF (ARRI 12KW)
HB-12K-15M	4C x 16mm+5C x 1.5mm 15M, WPC-2809LM+WPC-2809LF (ARRI 12KW)
HB-18K-7M	4C x 16mm+5C x 1.5mm 7M, WPC-2809LM+WPC-2809LF (ARRI 18KW)
HB-18K-15M	4C x 16mm+5C x 1.5mm 15M, WPC-2809LM+WPC-2809LF (ARRI 18KW)

Kupo Caps

Material: 100% cotton twill

Features:

- * Adjustable Velcro closure
- * 6 Panel cap
- * Full Lining
- * Aluminum eyelets
- * Perfect embroidery
- * High Quality KUPO Label
- * Good Ventilation
- * Fit to Distinguish Different Duties on Location

KCAP-01 Kupo Cap - Grip



KCAP-02 Kupo Cap - Lighting

OEM Welcome, Various Colors, Size and Customized Logo Are Available!

Director Chair

Due to popular demand Kupo now offer a range of light weight Aluminum directors chairs. Perfect for Backstage, Studio or Location. They are an industry standard seating solution.

KAC-01 Standard Director Chair

A Table height chair at 18" (475mm) These Chairs are casual functional, versatile and come with side table and bag for more applications.



Kupo Director chair is available in Black Blue Synthetic Canvas. Personalised embroidered inscriptions or silk screened logos available on Request.

Sand Bags

The KUPO solution to stabilizing equipment is supplied empty for economy of freight and means you can choose your preferred and locally available anchoring medium be it sand, shot, washer centers or lead weights to a maximum 35 lbs / 15 kg.

Designed in the versatile " sandlebag" system the Kupo bags can either drape over the leg of your stand or be hung on a cantilever arm from the robust side buckle supplied.



Featuring:

- Extra rivets combined with double stitching and Bias binding inside for maximum strength. Longer and wider carry strap for ease and comfort.
- A generous Velcro seal of the highest available quality to ensure your load remains secure.
- A Plated metal hanging point for secure non slip fixing in handging mode.
- Double handle for easy use. One is short handle in the top ; The new design is the butterfly handle with Velcro on the back!
- Kupo Bags come with the Kupo lather logo on.

Butterfly Handle



Custom Designs Welcome!

KSD-1680A

Dimension : 24cm (9.5") x 18cm (7") x 5cm (2")
 Construction : Reinforced Double Ply Nylon
 Maximum loaded weight : 15 lbs / 6 kg

KSD-1680B

Dimension : 30cm (11.8") x 24cm (9.5") x 6cm (2.4")
 Construction : Reinforced Double Ply Nylon
 Maximum loaded weight : 25 lbs / 11 kg

KSD-1680C

Dimension : 36cm (14") x 33cm (13") x 6cm (2.4")
 Construction : Reinforced Double Ply Nylon
 Maximum loaded weight : 35 lbs / 15 kg

Application



Kupo Professional Kits Bags
Include:

Weatherproof

All Fabric used are fully treated with a "teflon" fabric protector to repel watered in the process spills and stains that will diminish the appearance of your bag.

Level IV color

All Fabrics used conform with the highest specification Level 4 color fastness. With its associated high UV rating they resist fading even when exposed to the harshest conditions.

Super-Strong Stitching

Using Advanced technological processes; the accuracy, and quality of the nylon stitching makes for the highest structural integrity creating incredibly reliable and durable bags designed for the most rugged of situations. These bags work hard and play hard!

KSD-LB01 Lighting Kits Bag

(I.D.: 80cm x 23cm x 23cm)
31.5" x 9.0" x 9.0"



Material:

- *100%Nylon 1000Denier
- *Tifco tactical buckle
- *100%Nylon strap
- *Dupont Teflon fabric protector

Custom Designs Welcome !

KSD-LB02 Grip Case - Black

Outside dimensions:
60cm (L) x 39.1cm (W) x 23cm (H)
23.6" (L) x 15.4" (W) x 9.0" (H)
Weight: 7.8kg (17.2lbs)

Inside dimensions:
53.8cm (L) x 32cm (W) x 19.2cm (H)
21.18" (L) x 12.6" (W) x 7.6" (H)
Weight: 7.8kg (17.2lbs)

Replacement padded divider



- * Watertight, airtight, unbreakable, corrosionproof and dustproof.
- * With the retractable extension handle and wheels for traveling.
- * With the balance air valve for opening the case cover.
- * With the tool bag and paper bag inside.

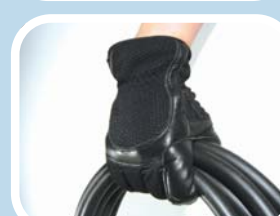
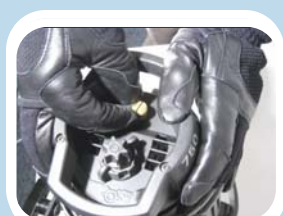
KU-HAND is designed for multi-use to protect users. Its applications could be rigging, staging, grip, installation. The ergonomic design brings comfort and fit for everyone. Plenty of unbelievable features favor all users. Leather top is excellent on ventilation with padded mesh. Also, the two-way stretch of leather top creates flexibility. Synthetic leather palm is soft and durable, and also has extra layer leather for better protection. The extra layer leather not only on leather palm but also on index finger and thumb for extra strength. Moreover, smooth surface of fingers and reinforced fingertips make perfect on handling objects and reduce wear. To conclude, KU-HAND is your best partner that you cannot miss to achieve any kind of job.



KH-55 Series
Goat leather



KH-66 Series
Cattle leather
Heat resistance



Cat. No.
KH-55 MB medium
KH-55 LB large
KH-55 XLB extral large
KH-55 XXLB Double extral large

Cat. No.
KH-66 L large
KH-66 XL extral large
KH-66 XXL Double extral large

Perfect for handling
any work even the
toughest - Top Quality

Gaffer Tape

KUPO delivers highly versatile and popular GAFFER TAPE widely used throughout the professional stage lighting/ photography/ motion picture/ television industries for holding and sealing applications. Kupo GAFFER TAPE performs excellent over a wide range of temperatures, both indoors and outdoors. However, it has highest tensile of any GAFFER TAPE, it is easily hand tearable. With hand tearable GAFFER, you can do your work efficiency.

6 most requested colors of GAFFER, 4 most requested colors of MATTES GAFFER are available

Clean removal, leave with no residual non-transferring, high

Performance adhesive system

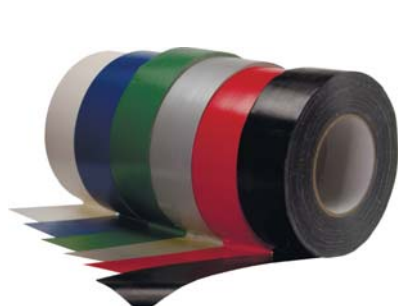
Size: 50mm (W) x 50M (L)

Baking Material: Cloth-WaterProof

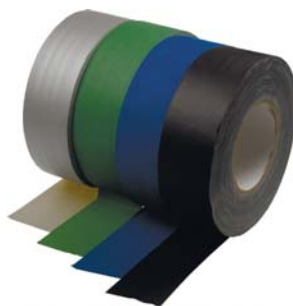
Adhesive: Rubber Base

Heat Resistance: 80 degree C

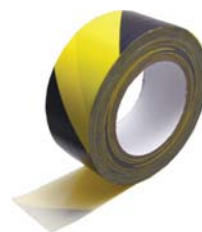
Outstanding conformability to odd-shaped and irregular surfaces



Gaffa Tape



Matte Gaffa Tape



Gaffa Tape (GT-550BY)



Anti-slip Tape (GT-550AS)

GAFFA TAPE

Cat. No.	Description
GT-550B	GAFFA 48mm x 50M Black Color
GT-550W	GAFFA 48mm x 50M White Color
GT-550G	GAFFA 48mm x 50M Gray Color
GT-550BU	GAFFA 48mm x 50M Blue Color
GT-550R	GAFFA 48mm x 50M Red Color
GT-550GN	GAFFA 48mm x 50M Green Color
GT-550BY	GAFFA 48mm x 50M Black & Yellow Color

MATTE GAFFA TAPE

Cat. No.	Description
GTM-550B	MATTE GAFFA 48mm x 50M Black Color
GTM-550G	MATTE GAFFA 48mm x 50M Gray Color
GTM-550BU	MATTE GAFFA 48mm x 50M Blue Color
GTM-550GN	MATTE GAFFA 48mm x 50M Green Color
Anti-slip Tape	
GT-550AS	Anti-Slip tape, 48mm x 5M Black & Yellow

EZ-TIE is ideal for sound, lighting and audio/video equipment cable. EZ-TIE is made by Swiss-made looms and strict quality control to assure consistent quality with superior performance. Hook is made from A grade Nylon and has high peel and shear values with extended cycle life with average 55 hooks per sq inch. It is forming with high temperature to keep a better elastic and durable. The Un-Napped loop brings a very high cycle life with average 42 woofs per sq inch.

EZ-TIE has been tested under +93 degree C and -56.7 degree C for lasting 1000hrs matting without failed. The working temperature from 80 degree C to -20 degree C. High cycle life with over 10,000 closures. Washable, UV resistant to prevent discoloration.

The standard EZ-TIE available in two different sizes and five different colors:

Size (cm): **2.0 x 41 (EZ241)** 10pcs per pack

5.0 x 60 (EZ560) 5pcs per pack

Colors: Black (B), Red (R), Yellow (Y), Blue (BU), and White (W)

Please specify color code when order

* allows to organize cables neatly with ease

* can be used as an identification labels

* cable management

* ideal for wrapping stand legs

* perfect for use to strap the equipments to desk

* double "O" ring buckle designed makes easily for extend

* can be used as a temporary hanger for during installation

* double "O" ring buckle designed features to against many surfaces to hold any kinds of equipment



MEZ-TIE

MEZ Tie features molded precise hook, which is lighter and thinner than EZ Tie. The gap between hook and loop is only 1mm, whereas EZ Tie is about 2~3mm. Though it is thin, it still provides fasten thoroughly and super strong shear strength (average over 1200 g/sq.cm)



Cat. No.	Description	Cat. No.	Description
EZ241-B	2.0 x 41 cm black	EZ560-B	5.0 x 60 cm black
EZ241-BL	2.0 x 41 cm blue	EZ560-BL	5.0 x 60 cm blue
EZ241-R	2.0 x 41 cm red	EZ560-R	5.0 x 60 cm red
EZ241-W	2.0 x 41 cm white	EZ560-W	5.0 x 60 cm white
EZ241-Y	2.0 x 41 cm yellow	EZ560-Y	5.0 x 60 cm yellow

Cat. No.	Description
MEZ220-B	2.0 (W1) / 1.3 (W2) X 20 cm (L) black - 50pcs per pack
MEZ220-BL	2.0 (W1) / 1.3 (W2) X 20 cm (L) blue - 50pcs per pack
MEZ220-R	2.0 (W1) / 1.3 (W2) X 20 cm (L) red - 50pcs per pack
MEZ220-W	2.0 (W1) / 1.3 (W2) X 20 cm (L) white - 50pcs per pack
MEZ220-Y	2.0 (W1) / 1.3 (W2) X 20 cm (L) yellow - 50pcs per pack

Owl cable clip

Owl cable clips are designed to hold the standard power cable along with the lighting stand or round tube in studio or on location. It is made of durable, flexible, one piece injection PC molded with a low-key transparent finished. The cable clips accommodate two 3cx1.5mmsq and one 3cx0.75mmsq wires through. Owl clips are reusable and easy to mount onto 40-50mm tube in one hand operation. Lets you organize and route wires just about any way you want to. Owllet clips with the same function as Owl clip but fitting smaller tube for 25-35mm O.D. (4 per pack)

KD-C40P Owl Clip (for 40~50mm)




KD-C25P Owllet Clip (for 25-35mm)






Color Correction Series

Kupo Color Correction Filters are used in applications where it is desirable to change color temperature of various light sources. These subtle and less saturated tones are ideal for Film, Movie, Photo Schemes. Better than gels!

Tungsten Conversion

	Full C.T.B. Converts 3200°K sources to daylight
	Half C.T.B. Converts 3200°K sources to 4200°K
	Quarter C.T.B. Converts 3200°K sources to 3600°K

Daylight Conversion

	Full C.T.O. Converts 5500°K sources to 3200°K
	Half C.T.O. Converts 5500°K sources to 3800°K
	Quarter C.T.O. Converts 5500°K sources to 4500°K

Now we have a full series of CTO/CTB for ARRI Lighting.

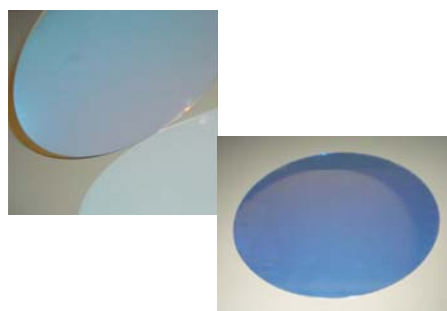
- * Glass Materials: Borofloat Glass
- * Maximum Operation Temperature: 450 Degree C
- * Cutting Tolerance : +/-0.1mm
- * Thickness: 3.3mm
- * Color Tolerance: +/-5nm of designed half height
- * All filters come with the Metal Frame.
- (Bigger filter will have the protected net.)



Frame Net For Better Protection.
Big Size Only!

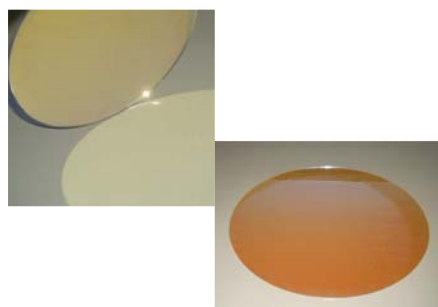
CTB Tungsten Conversion:

- KCTB-001** For ARRI Junior 300W
- KCTB-002** For ARRI Junior 650W
- KCTB-003** For ARRI Junior 1000W / Studio 1000W
- KCTB-004** For ARRI Junior 2000W



CTO Daylight Conversion:

- KCTO-001** For ARRI Compact 125W
- KCTO-002** For ARRI Compact 200W/ Par 200W
- KCTO-003** For ARRI Compact 575W / Par 575W
- KCTO-004** For ARRI Compact 1200W



Custom Designs Welcome!

KCP-347 Wooden type C47 clothespin,

Wooden spring-type clothespin also called C47 is used to attach gels and diffusion to lighting fixtures and bran doors without heat transmission from the hot light. Also ideal for drying film and printing in the darkroom use as clips (50PCS per bag).

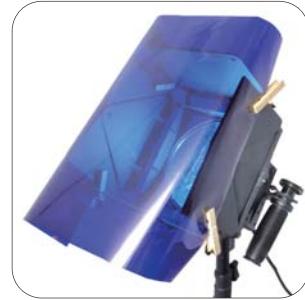
KCP-347



Package



Application



Honeycomb

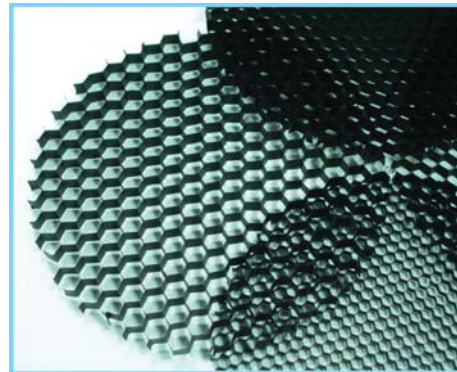
Honeycomb is made up of the aluminum foil with a hexagon shape. It can be a shield to prevent the dazzle of illuminators.

Features:

- Dazzle prevention
- Light weight
- Control the light path

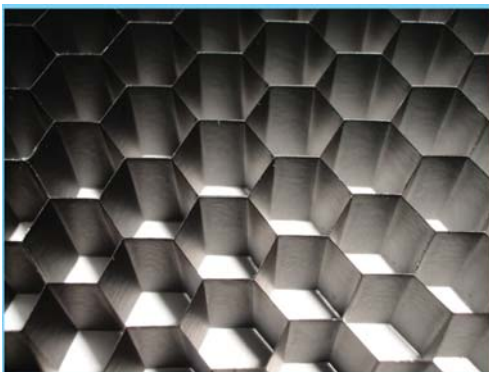
Quality approval:

- RoHS certification
- The consistency of painting coating
- No painting fading under UV illumination
- With 250 degree C heat resistance



Specification:

- Material : Aluminum foil
- Color: Black , Silve
- Available size
- Square : 30mm - 300mm
- Round: 30mm - 300mm
- Available Thickness (Height)
- 3mm - 15mm
- Aperture Size:
- (1) 1/8" : 3.18mm
- (Available thickness: 3 - 5mm)
- (2) 3/16" : 4.76mm
- (3) 1/4" : 6.35mm



Honeycomb with frame

Kupo is a professional manufactory.
We are very good at the hardware producing.
The Honeycomb can come with any kinds of frame you need by OEM base!



Custom Designs Welcome!

KUPO X-Bone is an ideal solution for needs on the move, featuring light weight, compact and durable. The patent structure makes it easy to fold and unfold in minutes, and aluminum alloy makes it light but sturdy for frequent usage. Six different size of length leaves versatile appearances and applications.

Features:

- (1) made of high intensity aluminum alloy (6061), enduring deformation and load for 4.8–5.0 tons / square meter
- (2) compact, light weight, and easy to build up and break down in around 2 minutes per set; need less space to archive
- (3) stylish and slim profile; treated with anodized coating for rust-free
- (4) different sizes make flexible applications accessible



Item number	Weight	Fold / cm			Unfold / cm		
		L	W	H	L	W	H
KXB-6-20	2.1kg	11.5	7.5	58.0	120	60	20
KXB-6-40	2.9kg	11.5	7.5	68.0	120	60	40
KXB-6-60	3.5kg	11.5	7.5	81.0	120	60	60
KXB-6-80	4.7kg	11.5	7.5	96.5	120	60	80
KXB-6-100	5.1kg	11.5	7.5	148.0	120	60	100
KXB-6-AK	Accessory Kit						
KXB-6-FP	Plastic Foot Pad						

KXB-001P

Cam-step is an ideal to location shooting specially designed for photographers, videographers and anyone who needs temporary platform with compact size, lightweight and easy to deploy. It can be set up within 1 min by one person without any tool. Also, aluminum material of the plates and legs which stored well with supplied bags makes cam-step lightweight and convenient for storage and transportation. Size: 900mm x 900mm, Weight: 16KG, Height: 840mm, Max. loading: 400KG.

The whole set cam-step are included:

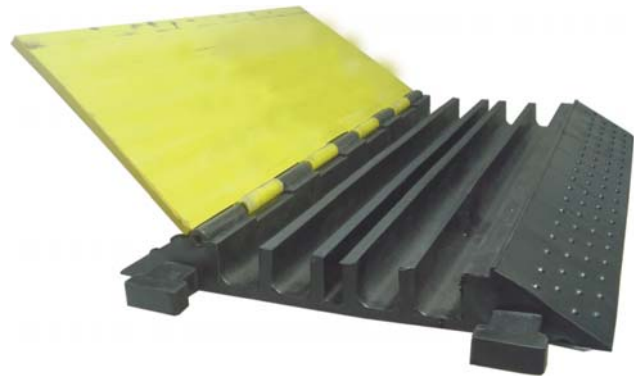
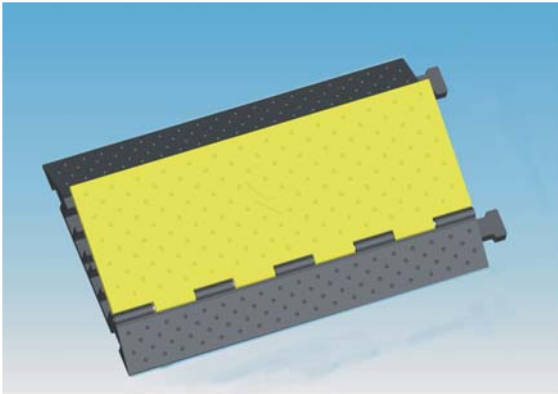
- 1) Foldable aluminum legs (1 pc per set).
- 2) Two bags for legs, plates and holders.
- 3) Plate- holders (2 pcs per set)
- 4) Sturdy and lightweight aluminum plate (3 pcs per set)

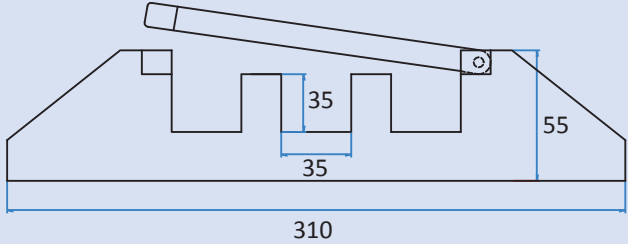
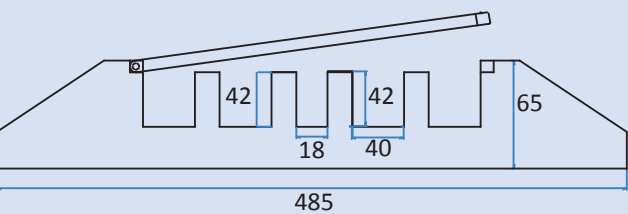


TOOL FREE

CABLE CROSSOVER

The cable crossover is the cable protector that protects cables from moisture, oils and solvents, and is high impact and load bearing. The standard KUPO cable crossover is 3 cable ducts and 5 cable ducts made from high density pressure moulded latex, back with highly visible orange lid. Each cable crossover has dog bone connector ends that can be connected to create any desired length. Easy to operation and protect a cable across an average interior doorway. The operating temperature is -40 degree to 49 degree and the load bearing capacity is 2,000KG.



Part Number	Description	Weight (kg)
<p>KCG-301-B</p> 	<p>3 CABLE DUCTS Insulated: YES Length: 1000mm Width: 310mm Height: 55mm Ducts Height: 35, 35, 35mm Max. Load: 2000 Kgs</p>	<p>15</p>
<p>KCG-501-B</p> 	<p>5 CABLE DUCTS Insulated: YES Length: 770mm Width: 485mm Height: 65mm Ducts Height: 42, 42, 18, 42, 42mm Max. Load: 2000 Kgs</p>	<p>18</p>

DigiFan DF-500 is a powerful and versatile special wind machine designed for studios, theaters, theme parks, touring, photographic and more. It is suitable for wide range application including blowing haze, smoke, bubbles, confetti or snow, cooling performers, dimmer racks or amplifiers even drying paint in studio. DF-500 can be controlled through standard DMX signal or master/slave operation through data link.



- Versatile yoke for overhead rigging, floor sitting or stand mounting.
- Housing is constructed from a molded lightweight plastic venting device with rugged tubular steel surrounded for transport and protection.
- The 11" one-piece blade and spiral front grill for creating narrow focus wind stream.
- Compact, lightweight and powerful.



Specification:

- Power input: 80-240V AC, 1200W, Current Max. 10A.
- One touch turbo function: 0-3500RPM within 5 sec.
- DMX mode: DMX on-off and volume control
- Memory: 9 mode memory setting available
- Remote controller: Supplied w/3M cable
- Motor: 500W, Max. 3500RPM
- Air volume: 1700CBM/hr
- Wind speed: 60KM/hr
- Dimension: 480x560x460mm
- Weight: 12.5Kg



Four reasons DigiFan makes a vortex wind effect:



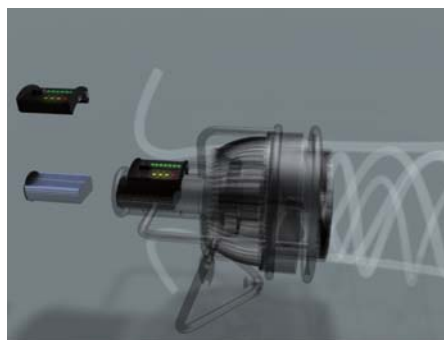
11" one piece deep pitch blade churn through the air, maximizing the amount of the air moved with the each turn of powerful motor.



The spiral shape designed front grill offset the direction of the air as it twists off the blade. This allows the air to travel long distance.



Air inlet duct tube ensures that the deep blade are fully enclosed in a cylindrical duct, air is sculpted into a column (beam of air).



To combine deep pitch blade, spiral grill, ducted tube and a switching power supply the multi function Digi fan is able to create a fully controllable vortex wind effect.



MPS-60

The MPS-60 is highly regulated 27VDC, 3.8Amp (cont.) power supply capable of supplying up to 60 BSP-1 beltpacks with all signal lights lit. It may be rack mounted or used as a table-top unit.

- * Power required: 90-240VAC, 0.05A (None load), 1.5A@3.85A DC output 50-60Hz
- * Power output: 27VDC+/-0.5V, 0-3.8A
- * Audio termination: 200 Ohms unbalanced
- * dimension: 4.5 x 48 x 23 cm, 1U high
- * Weight: 3.5kg (7.75lbs)

SMH-075

Microphone: Dynamic, 200hms
 Earphone fq.:80Hz-110KHz
 Sensitivity: 90db
 Max. Power: 200mw
 Limpedance: 200Ohm
 T.H.D.: <2%
 Connector: XLR-4pin / 1.5M



DMH-075

Microphone: Dynamic, 200hms
 Earphone fq.:80Hz-110KHz
 Sensitivity: 90db
 Max. Power: 200mw
 Limpedance: 400Ohm
 T.H.D.: <2%
 Connector: XLR-4pin / 1.5M



BSP-1

BSP-1 is portable long-life comfort headset station. The easily control top panel for switching the microphone on and off, controlling listing level and signaling. The steel plate belt is elasticized for comfortable using. Compatible with all famous popular headset intercom.

- * Headphone output: 9-4K Ohms acceptable, 200 Ohms ideal
- * Sidetone rejection: >50db
- * Dimension: 93.98 x 109.22 x 63.5 mm
- * Microphone input: 300-600 Ohms,dynmaic



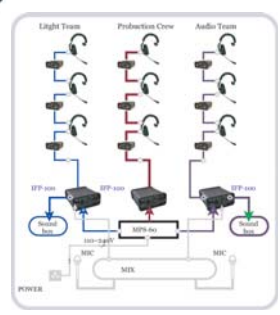
DMH-095

Microphone: Dynamic, 200hms
 Earphone fq.:30Hz-10KHz
 Sensitivity: 90db
 Max. Power: 200mw
 Limpedance: 200Ohm
 T.H.D.: <3%
 Connector: XLR-4pin / 1.5M



PS-30

- * Power supply: 110V-0.2A/220V-0.1A, 50-60Hz
- * Output: Max. DC24V/1.0A
- * Auto: Max. DC27V/1.7A
- * Dimension: 45 x 260 x 104 mm
- * Weight: 1.8kg



TALKBACK LOUDSPEAKER STATION

TLS-3 is a remote, 3-channel, selectable talkback speaker device, with the function to talk and/ or listen on the given channel. TLS comes with built-in 5W quality speaker and amplifier to monitor the communication clearly. LEDs on panel indicate which channel is selected or unselected to monitor. Receive- only provides paging function to existing intercom system without having to install separate paging amplifier and speaker. TLS-3 has a gooseneck-mic socket and feedback control circuit, giving hands-free full-duplex communication without a headset. Power Input: DC/24-30V; Max. 500mA Headset Mic Input: 200~600 Ohms, Dynamic Headphone Output: 200 Ohms ideal Audio Speaker Output: Max. 5W; 94db SPL at one meter Dimension: 11.00 x 26.50 x 17.00 cm Net/ Gross Weight: 4.0/ 4.5 KG

The **IFP-100** is an active device, used for feeding a signal into your intercom system from an external source, or for feeding a signal from your intercom system to another audio device (or both). The IFP-100 accommodates a wide range of input and output levels; it contains a studio quality microphone transformer and accept a signal directly from a good quality, low impedance, balanced or unbalanced microphone, as well as line-level signals. In every pack the two systems being interfaced are transformer isoalted from one another, provided the IFP-100 is used as directed. Power Input: DC/24-30V Input: -20db (High); +3db (Low) Output: +3db/ 600 Ohms balanced Dimension: 12.50 x 5.00 x 10.50 cm

FogMate is Kupo's latest contribution to the field of special effect. This miniature fog generator is driven by compact rechargeable DC12V battery and equipped with built-in microprocessor to control and present all the functions. With its light weight and small dimension advantages, FogMate can be set promptly and flexibly where fog is needed. FogMate is an ideal alternative to the traditional fog machines for the locations of theatre, TV, film and photographic studio.



Standard Package:

- FogMate Unit
- DC12V battery
- 100V to 240V AC
12V DC charger
- Fluid tank
- 500ml fluid
- Portable case



D-5000 III Fogmate

Features:

- * Power output: 70W
- * Voltage: 12V battery
- * Warm up: 1second
- * Tank Capacity: 110ml
- * Fluid consumption: 2ML/ min.
- * Continuous output: 10min.
- * Weight of unit: 900g
- * Weight of battery: 680g
- * Dimension: 226 (L) x 68 (W) x 113 (H) mm



DCP-12

120V - 230V AC to 12V DC
transformer with dummy battery



MCR-1 Remote Controller



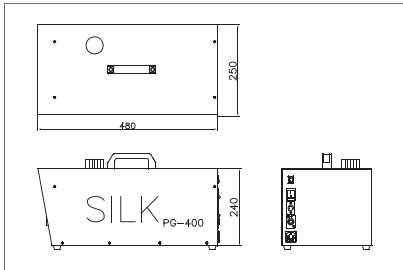
MCT-1 Timer Controller



FLQ-500 500ml Liquid



The **PG-400** Silk is a professional mist producer. It provides a light constant mist to enhance light beams. No more problems that you have met in the traditional fog machines. PG-400 Pro-Silk comes with a high quality air compressor instead of the heater and temperature control. Designed for movie, T.V. studios and live show....



Features:

- * Fine & long hanging haze
- * Leave no oil residue
- * Built-in fan
- * No need warm up, instant operation
- * Powerful compressor for a bigger volume
- * Portable and compact size
- * Low oil consumption (1 liter liquid for 28Hrs.)
- * Special designed tank to protect from liquid spill out

HC-1 Timer Controller

HC-1 is a special designed optional accessory for PG-500 and PG-400 haze machine. It can control the haze output at intervals of 10-300 seconds with duration of 10-120 seconds.



Features:

- * Dimensions (mm): 480(L) x 320(W) x 357(H)
- * Weight: 21kgs
- * Power Consumption: 250W
- * Power: AC120V/ 60Hz or 230V/ 50Hz
- * Cable Length: 10m

Optional Accessories

HCR-1 Wireless Remote Controller

Wireless remote controller for PG-500 and haze machine.

Features:

- * Wireless, up to 50m
- * Connector: 1/4 stereo



LIQUID

HZL-1 is oil-based. It is a non-toxic solution that produces a pure translucent haze with an long hang time and low moisture content.

HZL-1W is water-based. Both are 1 L for haze machine and comply with the strictest health and safety regulations.



M-5 Fog Machine



The features of M-5 is its tough and powerful output and added DMX control on-board. User can have completely control of his /her fog machine to create a totally extreme club atmosphere.

Features:

- * Power: AC120V/ 60Hz, 230V/ 50Hz
- * Heater: 1,500W
- * Output: 20,000 cubic ft/ min.
- * Tank Capacity: 10 liter
- * Remote included: Z-20 (timer)
- * Optional remotes: Z-30 (wireless)
- * Weight: 15kg
- * Dimensions (mm): 659(L) x 319(W) x 170(H)

Z-20 Timer Controller



Z-20 is the timer controller that timer with interval, duration and volume; continuous fogging; manual on/off
 cable length: 8m
 connector: 5PIN XLR

Optional Accessories

Z-30 Radio Wireless Remote Control



Cable length : 2M
 Wireless range : up to 50meters
 Connector : 5pin XLR
 Radio frequent add : 0~8

LIQUID

FL-104 light fog liquid for fast dissipation (4L) **FL-204 light fog liquid for long lasting (4L)**



S-200 Silent Snow Dropper



- * Power Consumption: 600W
- * Output: 140ML/ min.
- * Tank capacity: 5 Liter
- * Weight: 12kg (26.5lbs)
- * Power: AC120V/230V, 50Hz/60Hz

Features:

- * The powerful big output S-200 can make an abundant supply of snow and shoot at considerable distance.
- * The motor is attached with a rubber cushion that reduces vibration and noise, generating only 63dB that is as loud as people whisper lightly..
- * Size & output volume of it can be regulate by remote control SC-2.
- * Function of series connection is available.
- * Quick evaporation residue to keep a safety environment.
- * Supplied with remote control SC-1 and hanging bracket.

Snow Liquid

FL-203 snow juice designed for S-200 snow machine. water based formula (safe) non-toxic and 100% biodegradable.

BM-0800 Super Bubble Machine



BM-0800 is designed to produce a solid, copious stream of bubbles. It can be operated continuously. Easy refills and its hanging bracket are its benefits.

Features:

- * Optional Remotes: BCR-1
- * Dimensions (mm): 341(L) x 170(W) x 172(H)
- *Power Consumption: 25W
- * Tank Capacity: 0.7 Liter
- * Fluid Consumption: 2hurs / Liter
- * Weight: 4.2kg
- * Power: AC120V/240V, 50Hz/60Hz

Bubble Liquid

It is designed for use in the BM-0800 bubble machines, water based composition that creates vivid transparent bubbles, colorless, odorless and non-flammable

- BL-1** bubble liquid (1L)
- BL-5** bubble liquid (5L)





Code	Description	Page
013	Folding Base Mini Stand	3
013-A	Pole for folding mini stand	28
013BS	Backlite base w/ female socket & KS-017 stud	3
023	Midi Pro Stand	4
023AC	Midi Pro Stand w/Air Cushion	4
033	Low mini Kit Stand	3
034	Mini Kit Stand	4
034-J	Mini Kit Stand - Japanese Type	4
042	Baby Stand Extension	28
045	Medium Stand	4
055	Handy stand	3
120M	Stand Extension	28
131	16A/3P/230V(Shuko), Cable Male Connector	78
135M	Midi-Max Kit Stand	9
135MB-J	Midi-Max Kit Stand - Japanese Type (Black)	9
135MP-J	Midi-Max Kit Stand - Japanese Type (Polish)	9
145M	Master Heavy Duty Junior Stand	9
155M	High Baby Stand	10
169M	Master Classic Stand	6
175M	Master Shorty Stand	6
185M	Low Mighty Baby stand	16
193	Medium Baby Kit stand	6
195	Baby Kit Stand	5
195S	Baby Kit stand W/ square legs	5
198	Universal Stand	5
198AC	Universal Stand w/Air Cushion	5
198-J	Universal Stand - Japanese Type	5
226M	Master Combo HD Stand	11
226M-J	Master Combo HD Stand - Japanese Type	11
226MB	Master Combo HD Stand	11
226MB-J	Master Combo HD Stand - Japanese Type	11
227M	Master Combo Alu Senior	10
227M-J	Master Combo Alu Senior - Japanese Type	10
228M	Master Combo Stand - Black	12
228P	Master Combo Stand - Polish	12
300M	High Roller Stand	8
310M	Low Mighty Stand	16
310M-J	Low Mighty Stand - Japanese Type	16
320M	Junior Roller Stand	8
320M-J	Junior Roller Stand - Japanese Type	8
330M	Senior Roller Stand	8
350	Runway Base Stand	7
355	Universal Floor Stand	7
470	Followspot Stand	20
481	2 SCT. Wind-up Followspot Stand	20
482T	2 SCT. Wind-up Stand	20
483-BP	Base Plate (Set of three)	18
483BT	3 SCT. Wind-Up Stand Black	18
483T	3 SCT. Wind-Up Stand	18
483T-J	3 SCT. Wind-Up Stand Japanese Type	18

Code	Description	Page
483BT-J	4 SCT. Wind-Up Stand Japanese Type Black	18
484	Heavy Duty Wind-Up Stainless Steel Stand	19
542M	Master Cine Stand	13
542MB	Master Cine Stand Black	13
542M-J	Master Cine Stand - Japanese Type	13
542MB-J	Master Cine Stand Black - Japanese Type	13
543M	Master High Cine Stand	14
543MB	Master High Cine Stand Black	14
543M-J	Master High Cine Stand - Japanese Type	14
543MB-J	Master High Cine Stand Black- Japanese Type	14
546M	Master Cine K stand	15
600M	High Overhead Roller Stand	29
610M	Medium Overhead Roller Stand	29
620M	Wide Base High Overhead Stand	29
653M	Steel Senior Stand	16
BL-1	Bubble Liquid (1L)	96
BL-5	Bubble Liquid (5L)	96
BM-0800	Super Bubble Machine	96
BSP-1	Headset Station (Belt Pack)	93
C06003	Battery (DC12V) For D-5000III Fogmate	93
C-05	Aluminum Alloy Clamp w/5/8" Light Stud	73
C-05B	Aluminum Alloy Clamp w/5/8" Light Stud-Black	73
C-05NQP	Quick Actuion Aluminum Alloy Hook Clamp	73
C-05QP	Quickly Release Aluminum Alloy Hook Clamp	73
C-06	Iron Casting C Clamp	72
C-12	Steel Clamp-Sliver	74
C-12B	Steel clamp-Black	74
C-16	Baby Pipe Clamp	72
CEE TESTER	Tester for CEE extension cable	78
CS-20M	20" C Stand w/ Sliding Legs	22
CS-20MB	20" C Stand w/ Sliding Legs - Black	22
CS-20MB-J	CS-20M - Japanese Type (BLACK)	22
CS-20M-J	20" C Stand w/ Sliding Legs - Japanese Type	22
CS-20MK	20" C stand w/ Sliding Leg Kits (Silver)	23
CS-20MKB	20" C stand w/ Sliding Leg Kits (Black)	23
CS-30M	30" C stand w/ Sliding Legs	22
CS-30MB	30" C stand w/ Sliding Legs - Black	22
CS-30MB-J	CS-30M - Japanese Type (BLACK)	22
CS-30M-J	30" C stand w/ Sliding Legs - Japanese Type	22
CS-40M	40" C stand w/ Sliding Legs	22
CS-40MB	40" C stand w/ Sliding Legs - Black	22
CS-40MB-J	CS-40M - Japanese Type (BLACK)	22
CS-40M-J	40" C stand w/ Sliding Legs- Japanese Type	22
CS-40MK	40" C stand w/ Sliding Leg Kits (Silver)	23
CS-40MKB	40" C stand w/ Sliding Leg Kits (Black)	23
CT-20M	20" C Stand w/ Turtle Base	21
CT-20MB	20" C Stand w/ Turtle Base - Black	21
CT-20MB-J	CT-20M - Japanese Type (BLACK)	21
CT-20M-J	20" C Stand w/ Turtle Base - Japanese Type	21
CT-20MK	20" C stand w/ Turtle Base Kits (Silver)	23

Code	Description	Page
CT-20MKB	20" C stand w/ Turtle Base Kits - Black	23
CT-20M-TUBE	Extension column (Max. 147cm)	28
CT-30M	30" C stand w/ Turtle Base	21
CT-30MB	30" C stand w/ Turtle Base - Black	21
CT-30MB-J	CT-30M - Japanese Type - Black	21
CT-30M-J	30" C stand w/ Turtle Base - Japanese Type	21
CT-30M-TUBE	Extension column (Max. 227cm)	28
CT-40M	40" C stand w/ Turtle Base	21
CT-40MB	40" C stand w/ Turtle Base - Black	21
CT-40MB-J	CT-40M - Japanese Type - Black	21
CT-40M-J	40" C stand w/ Turtle Base - Japanese Type	21
CT-40MK	40" C stand w/ Turtle Base Kits - Silver	23
CT-40MKB	40" C stand w/ Turtle Base Kits - Black	23
CT-40M-TUBE	Extension column (Max. 302cm)	28
CT-BS	Century Stand Base	22
CT-SBS	Compact Century Stand Base	22
CZ03	16A/3P/230V(Shuko), Socket	78
D-5000III	FogMate III	93
DCP-12	Transformer w/ Dummy Batter	93
DF-500	Digi Fan	91
DMH-075	Double Muff Headsets	92
DMH-095	Double Muff Headsets (Heavy Duty)	92
EZ241-B	EZ-TIE Cable Grip 20mm X 410mm - Black	86
EZ241-BLUE	EZ-TIE Cable Grip 20mm X 410mm - Blue	86
EZ241-R	EZ-TIE Cable Grip 20mm X 410mm - Red	86
EZ241-W	EZ-TIE Cable Grip 20mm X 410mm - White	86
EZ241-Y	EZ-TIE Cable Grip 20mm X 410mm - Yellow	86
EZ560-B	EZ-TIE Cable Grip 50mm X 600mm - Black	86
EZ560-BLUE	EZ-TIE Cable Grip 50mm X 600mm - Blue	86
EZ560-R	EZ-TIE Cable Grip 50mm X 600mm - Red	86
EZ560-W	EZ-TIE Cable Grip 50mm X 600mm - White	86
EZ560-Y	EZ-TIE Cable Grip 50mm X 600mm - Yellow	86
FC15A	Corner for Butterfly Frame	30
FC15B	Corner with Nut for Butterfly Frame	30
FC-2D (MCT-1)	Timmer Controller	93
FC-3D (MCR-1)	Remote Control	93
FH10	Frame Supporter for Butterfly Frame	30
FH20	Frame Support with Tube for Butterfly Frame	30
FL-104	Light Fog Liquid For Fast Dissipation (4L)	95
FL-203	Snow Juice	95
FL-204	Dense Fog Liquid For Long Lasting (4L)	95
FLQ-500	Liquid for D-5000III FogMate	93
GT-550AS	Anti-slip Tape 48mm x 50M Black & Yellow	85
GT-550B	Gaffer Tape 48mm x 50M / Roll / Black	85
GT-550BU	Gaffer Tape 48mm x 50M Roll / Blue	85
GT-550BY	Gaffer Tape 48mm x 50M / Roll / Blue & Yellow	85
GT-550G	Gaffer Tape 48mm x 50M / Roll / Gray	85
GT-550GN	Gaffer Tape 48mm x 50M / Roll / Green	85
GT-550R	Gaffer Tape 48mm x 50M / Roll / Red	85
GT-550W	Gaffer Tape 48mm x 50M / Roll / White	85

Code	Description	Page
GTM-550B	Matt-surface Gaffer Tape 48mm x 50M / Black	85
GTM-550BU	Matt-surface Gaffer Tape 48mm x 50M / Blue	85
GTM-550G	Matt-surface Gaffer Tape 48mm x 50M / Gray	85
GTM-550GN	Matt-surface Gaffer Tape 48mm x 50M / Green	85
HB-1.2K-15M	1.5mm 15M (ARRI 575W; 1200W)	80
HB-1.2K-7M	1.5mm 7M (ARRI 575W; 1200W)	80
HB-12K-15M	4C x 16mm + 5C x 1.5mm 15M (ARRI 12KW)	80
HB-12K-7M	4C x 16mm + 5C x 1.5mm 7M (ARRI 12KW)	80
HB-18K-15M	4C x 16mm + 5C x 1.5mm 15M (ARRI 18KW)	80
HB-18K-7M	4C x 16mm + 5C x 1.5mm 7M (ARRI 18KW)	80
HB-4K-15M	2.5mm 15M (ARRI 2500W; 4000W)	80
HB-4K-7M	2.5mm 7M (ARRI 2500W; 4000W)	80
HB-6K-15M	3C x 16mm + 3C x 1.5mm 15M (ARRI 6KW)	80
HB-6K-7M	3C x 16mm + 3C x 1.5mm 7M (ARRI 6KW)	80
HC-1	Timmer Controller	94
HCR-1	Wireless Remote Controller	94
Honeycomb	Custom-built item	88
HZL-1	Silk Liquid, Oil-Base (1L)	94
HZL-1W	Silk Liquid, Water-Base (1L)	94
IFP-100	I/O Interface Pack	92
KAC-01	Standard Director Chair	81
KC-064R	Dia. 64mm Caster	32
KC-080R	Dia. 80mm Caster	32
KC-080S	Dia. 80mm Caster	32
KC-100	Dia. 100mm Caster	32
KC-100G	Dia. 100mm Caster	32
KC-100S	Dia. 100mm Caster	32
KCAP-01	Kupo Cap - Grip	81
KCAP-02	Kupo Cap - Lighting	81
KCG-301	3C Cable Guard	90
KCG-501	5C Cable Guard	90
KCP-100B	T.V. Clamp - Black	71
KCP-101	Max Arm	52
KCP-101CB	Max Arm with Camera Bracket	54
KCP-101K	Max Arm Kit	54
KCP-101QW	Max Arm w/ Quick release camera bracket	54
KCP-101W	MAX Arm with wheel handle	52
KCP-102	Version arm	56
KCP-200	2 1/2" Grip Head w/ Big handle - Silver	24
KCP-200B	2 1/2" Grip Head w/ Big handle - Black	24
KCP-200B-J	2 1/2" Grip Head - Black (Japanese pin)	24
KCP-200P-J	2 1/2" Grip Head - Polish (Japanese pin)	24
KCP-215P	Grip Arm Support	26
KCP-216	Boom arm support	26
KCP-220	20" Extension Grip Arm w/ Big handle - Polish	24
KCP-220B	20" Extension Grip Arm w/ Big handle - Black	24
KCP-230	Griphead w/Swivel Pin	44
KCP-240	40" Extension Grip Arm w/ Big handle - Polish	24
KCP-240B	40" Extension Grip Arm w/ Big handle - Black	24
KCP-241	40" Grip arm with hex baby pin	24

Code	Description	Page
KCP-260B	Grip Head w/ Hex Stud - Black	37
KCP-265P	Grip Head w/ Half coupler	37
KCP-270B	Super Clamp Griphead	37
KCP-300	Articulated Arm	47
KCP-310	EZ Grip Finger	44
KCP-311	EZ Grip Reciver	44
KCP-320	EZ Grip Twins	44
KCP-330	Tiny Clamp	44
KCP-340	Baby Plate w/ EZ Grip Finger	44
KCP-343	Flex Arm Kit for Dots/ Fingers	48
KCP-344	Flex Arm	48
KCP-345	French Flag Arm	48
KCP-346	40 cm x 25 cm French Flag	48
KCP-347	Wood C47 Spring-type Clothspins	88
KCP-350B	Mini Alli Clamp Black	51
KCP-350P	Mini Alli Clamp Polish	51
KCP-360B	Alli Clamp Black	51
KCP-360P	Alli Clamp Polish	51
KCP-380	Kino Fluorescent Lamp Holder	50
KCP-381	Off-Set Female Mounting Plate Adapter - 5/8"	50
KCP-390	Off camra flash Spring clamp	51
KCP-400	Square Clamp w/Baby Receiver	44
KCP-420	Square Clamp w/Baby Stud	44
KCP-450	4 1/2" Grip head w/ 1 1/8" Spigot and Socket	29
KCP-500	Large Gaffer Grip	34
KCP-550	Adjustable Gaffer Grip	34
KCP-600	4" Super Viser	33
KCP-601	9" Super Viser	33
KCP-605	6" Chain Clamp	34
KCP-606	10" Chain Clamp	34
KCP-610	Foamcore Fork	49
KCP-611	Foamcore Clamp	49
KCP-614	Adjustable Poly holder	49
KCP-620P	Petite Clamp for 16mm (5/8") Tube	45
KCP-630	Junior Drop Down	27
KCP-631	Baby Drop Down Pin	27
KCP-640M	Baby Boom - Steel	27
KCP-641B	Photo Baby Boom - Aluminum	27
KCP-645	Pivoting Boom Arm clamp	28
KCP-650	Ruler Clamp	50
KCP-700B	Convi. Clamp--Black	36
KCP-700P	Convi. Clamp--Silver	36
KCP-701P	Convi. Clamp with teeth-Silver	37
KCP-702	Stage Clamp w/13mm Hole	73
KCP-703	Stage Clamp w/16mm Stud	73
KCP-704	Stage Clamp w/28mm Stud	73
KCP-705	Stage Clamp w/28mm Socket with linch pin	73
KCP-710B	Superb Clamp with Adjustable handle - Black	36
KCP-710P	Superb Clamp with Adjustable handle - Silver	36
KCP-715P	Toothy Convi. Clamp w/ Half coupler	37

Code	Description	Page
KCP-720B	Double Superb Clamp - Black	37
KCP-720P	Double Superb Clamp - Silver	37
KCP-724	Wall Spreader	50
KCP-730B	Pincer Clamp	56
KCP-7SDL	Superb Clamp Saddle	36
KCP-801	250mm Arm coupler	70
KCP-802	500mm Arm coupler	70
KCP-806	Side Arm for Tube size 1.25~1.5"	47
KCP-808	Baby Side Arm	46
KCP-809	Junior Side Arm	46
KCP-810	Arch Coupler	67
KCP-820	Slim Type Swivel Coupler	67
KCP-828	Slim Handcuff Clamp	68
KCP-830	1/2 Half Type Coupler	67
KCP-831	Half Coupler w/M10 Bolt	67
KCP-831-T	Half Coupler With T Handle	67
KCP-832	Swivel Coupler	67
KCP-833	Half Coupler w/Eye Ring	68
KCP-834	Half Coupler w/28mm TV spigot	68
KCP-835	Truss Adapter	68
KCP-836	Half Coupler w/16mm Stud	68
KCP-838	Handcuff Clamp	68
KCP-838-T	Handcuff Clamp with T Handle	69
KCP-839	Handcuff Clamp with Stud	69
KCP-840P	Handcuff Clamp with w/28mm Socket	69
KCP-841	Arch Coupler W/28mm Socket	70
KCP-844B	TV Coupler - Black	71
KCP-844P	TV Coupler - Polish	71
KCP-847	Tube/Barrel Joiner	69
KCP-851	Mighty Coupler for 2.5" Tube	69
KCP-857	Mighty / Half Swivel Coupler for 2"~2.5" Tube	69
KCP-860	Nugget Coupler	70
KCP-862	Swivel type Nugget coupler	70
KCP-873	45 Degree Coupler	70
KCP-901	Burger Coupler	70
KCP-901B	Burger Coupler-Blck	70
KCP-902	Swivel Type Burger Coupler	70
KCP-902B	Swivel Type Burger Coupler-Black	70
KCP-930P	3 Ways Clamp For 25mm to 35mm Tube	45
KCP-950P	4 Ways Clamp For 35mm To 50mm Tube	45
KCP-F1824	Flag Frame 18" x 24"	25
KCP-F2436	Flag Frame 24" x 36"	25
KCP-OF1824	Open end Flag Frame 18" x 24"	25
KCP-OF2436	Open end Flag Frame 24" x 36"	25
KCTB-001	CTB For ARRI Junior 300W	87
KCTB-002	CTB For ARRI Junior 650W	87
KCTB-003	CTB For ARRI Junior 1KW / Studio 1KW	87
KCTB-004	CTB For ARRI Junior 2KW / Compact 1.2KW	87
KCTO-001	CTO For ARRI Compact 125W	87
KCTO-002	CTO For ARRI Compact 200W / Par 200W	87

Code	Description	Page
KCTO-003	CTO For ARRI Compact 575W / Par 575W	87
KCTO-004	CTO For ARRI Compact 1200W	87
KD-730B	Superb Clamp Double Socket-Black	36
KD-730P	Superb Clamp Double Socket-Silver	36
KD-735P	Mini Flex Arm with Clip	47
KD-790B	L Bracket Shelf holder (Set of Two) - Black	38
KD-795B	Compact U Hooks - Black	38
KD-840LB	Panel with Hole - Black (Length: 1080mm)	64
KD-840MB	Panel with Hole - Black (Length: 825mm)	64
KD-840SB	Panel with Hole - Black (Length: 440mm)	64
KD-841LB	Panel - Black (Length: 1080mm)	64
KD-841MB	Panel - Black (Length: 825mm)	64
KD-841SB	Panel - Black (Length: 440mm)	64
KD-842LB	Extension Panel - Black (Length: 1080mm)	64
KD-842MB	Extension Panel - Black (Length: 825mm)	64
KD-842SB	Extension Panel - Black (Length: 440mm)	64
KD-843LB	Extension Panel - Black (Length: 1080mm)	64
KD-843MB	Extension Panel - Black (Length: 825mm)	64
KD-843SB	Extension Panel - Black (Length: 440mm)	64
KD-B126P	Kupole Base	60
KD-C01B	Curved Clamp for Super Joint - Black	64
KD-C01P	Curved Clamp for Super Joint - silver	64
KD-C02B	2 Ways Joint for Super Joint - Black	64
KD-C02P	2 Ways Joint for Super Joint - silver	64
KD-C03B	Joint with Screw for Super Joint - Black	64
KD-C03P	Joint with Screw for Super Joint - Silver	64
KD-C04B	Basic Joint for Super Joint - Black	64
KD-C04P	Basic Joint for Super Joint - Silver	64
KD-C0500P	500mm Tube , Dia.35mm - Silver	64
KD-C07P	Foot adapter	64
KD-C1000P	1000mm Tube , Dia.35mm - Silver	64
KD-C1500P	1500mm Tube , Dia.35mm - Silver	64
KD-C2000P	2000mm Tube , Dia.35mm - Silver	64
KD-C25P	4 pcs per pack	86
KD-C40P	4 pcs per pack	86
KD-C50P	Kupole Suspended Ceiling Adapter	60
KD-CF16P	Ceiling Clip with Female Socket	44
KD-CM16P	Ceiling Clip with Male Adapter	44
KD-M01P	LCD Monitor Arm	43
KD-R48P	Kupole Disc Base	60
KD-T50P	Kupole Adapter for 5cm Pipe	50
KH-06	6' X 6' Butterfly frame	30
KH-08	8' X 8' Butterfly frame	30
KH-12	12' X 12' Butterfly frame	30
KH-20	20' X 20' Butterfly frame	30
KH-55LB	Ku Hand - Large size	84
KH-55MB	Ku Hand - Medium size	84
KH-55XLB	Ku Hand - Extra Large size	84
KH-55XLB	Ku Hand - Double XL size	84
KH-66MB	Ku Hand - Medium size	84

Code	Description	Page
KH-66XLB	Ku Hand - Extra Large size	84
KH-66XLB	Ku Hand - Double XL size	84
KH-L112	Round Pipe Butterfly frame for 1-1/2" pipe set	31
KH-L114	Round Pipe Butterfly frame for 1-1/4" pipe set	31
KHR-C112	Frame Connector for 1-1/2" Pipe	31
KHR-C114	Frame Connector for 1-1/4" Pipe	31
KHR-E112	Frame Ear for 1-1/2" Pipe	31
KHR-E114	Frame Ear for 1-1/4" Pipe	31
KHR-L112	Frame Corner for 1-1/2" Pipe	31
KHR-L114	Frame Corner for 1-1/4" Pipe	31
KHTN013	16A(CEE Form), Cable Male Connector	78
KHTN023	32A(CEE Form), Cable Male Connector	78
KHTN213	16A(CEE Form), Cable Female Connector	78
KHTN233	32A(CEE Form), Cable Female Connector	78
KHTN413	16A(CEE Form), Panel Female Socket	78
KL-150LFB	150A Line female-Blue	77
KL-150LFBK	150A Line female-Black	77
KL-150LFBN	150A Line female-Brown	77
KL-150LFG	150A Line female-Green	77
KL-150LFGY	150A Line female-Gray	77
KL-150LFR	150A Line female-Red	77
KL-150LFW	150A Line female-White	77
KL-150LMB	150A Line male-Blue	77
KL-150LMBK	150A Line male-Black	77
KL-150LMBN	150A Line male-Brown	77
KL-150LMG	150A Line male-Green	77
KL-150LMGY	150A Line male-Gray	77
KL-150LMR	150A Line male-Red	77
KL-150LMW	150A Line male-White	77
KL-150SFB	150A Panel Female-Blue	77
KL-150SFBK	150A Panel Female-Black	77
KL-150SFBN	150A Panel Female-Brown	77
KL-150SFG	150A Panel Female-Green	77
KL-150SFGY	150A Panel Female-Gray	77
KL-150SFR	150A Panel Female-Red	77
KL-150SFW	150A Panel Female-White	77
KL-150SMB	150A Panel Male-Blue	77
KL-150SMBK	150A Panel Male-Black	77
KL-150SMBN	150A Panel Male-Brown	77
KL-150SMG	150A Panel Male-Green	77
KL-150SMGY	150A Panel Male-Gray	77
KL-150SMR	150A Panel Male-Red	77
KL-150SMW	150A Panel Male-White	77
KL-400LFB	400AMP Female Plug - Blue	76
KL-400LFBK	400AMP Female Plug - Black	76
KL-400LFBN	400AMP Female Plug - Brown	76
KL-400LFG	400 AMP Female Plug - Green	76
KL-400LFGY	400AMP Female Plug - Grey	76
KL-400LFR	400AMP Female Plug - Red	76
KL-400LFW	400AMP Female Plug - White	76

Code	Description	Page
KL-400LMB	400AMP Male Plug - Blue	76
KL-400LMBK	400AMP Male Plug - Black	76
KL-400LMBN	400AMP Male Plug - Brown	76
KL-400LMG	400AMP Male Plug - Green	76
KL-400LMGY	400AMP Male Plug - Grey	76
KL-400LMR	400AMP Male Plug - Red	76
KL-400LMW	400AMP Male Plug - White	76
KL-400SFB	400AMP Female Receptacle Blue	76
KL-400SFBK	400AMP Female Receptacle - Black	76
KL-400SFBN	400AMP Female Receptacle Brown	76
KL-400SFG	400AMP Female Receptacle Green	76
KL-400SFGY	400AMP Female Receptacle Grey	76
KL-400SFR	400AMP Female Receptacle Red	76
KL-400SFW	400AMP Female Receptacle White	76
KL-400SMB	400AMP Male Receptacle Blue	76
KL-400SMBK	400AMP Male Receptacle - Black	76
KL-400SMBN	400AMP Male Receptacle Brown	76
KL-400SMG	400AMP Male Receptacle Green	76
KL-400SMGY	400AMP Male Receptacle Grey	76
KL-400SMR	400AMP Male Receptacle Red	76
KL-400SMW	400AMP Male Receptacle White	76
KL-DCB	K-LOK Dust Cover Blue	76
KL-DCBK	K-LOK Dust Cover Black	76
KL-DCG	K-LOK Dust Cover Green	76
KL-DCR	K-LOK Dust Cover Red	76
KL-DCW	K-LOK Dust Cover White	76
KP-DS01	Background Paper Drive Set	61
KP-KS01	Single hook(2 pcs/ set)	61
KP-KS02	Triple hooks(2 pcs/ set)	61
KP-KS03B	Plastic Chian 3.5M (L) -Black	61
KP-KS03BL	Plastic Chian 3.5M (L) -Blue	61
KP-KS03O	Plastic Chian 3.5M (L) -Orange	61
KP-KS03W	Plastic Chian 3.5M (L) -White	61
KP-KS04	Chain Weight	62
KP-KS05	Background Baby hook	62
KP-L2137BD	Kupole- 210cm to 370cm - Black	59
KP-L2137PD	Kupole -210cm to 370cm - Silver	59
KP-M1527BD	Kupole - 150cm to 270cm - Black	59
KP-M1527PD	Kupole - 150cm to 270cm - Silver	59
KP-S1017BD	Kupole - 100cm to 170cm - Black	59
KP-S1017PD	Kupole- 100cm to 170cm - Silver	59
KP-SP01	White Rubber Pad	60
KP-SP02	White Top Rubber Cover	60
KP-SP03	White Bottom Rubber Cover	60
KP-SP04	Black Top Rubber Cover	60
KP-SP05	Black Bottom Rubber Cover	60
KP-X15B	Extension tube (1.5M) - Black	59
KP-X15P	Extension tube (1.5M) - Silver	59
KP-X20B	Extension tube (2.0M) - Black	59
KP-X20P	Extension tube (2.0M)- Silver	59

Code	Description	Page
KP-X245P	Aluminum tube for paper roll	62
KRB-01	Distribution Box w/ Stage 3 pin connectors	79
KRB-02	Distribution Box w/ CEE form connectors	79
KRB-03	Distribution Box w/ SHUKO connectors	79
KS-001	3/8" Snap In Pin	38
KS-002	1/2" Snap In Pin	38
KS-003	5/8" Snap In Pin	38
KS-004	M12 x 30 Stud	38
KS-005	M10 x 25 Stud	38
KS-006	M12 x 35 Threaded Socket	38
KS-007	M10 x 30 Threaded Socket	38
KS-008	Joining Stud/Swivel	38
KS-009	150mm Extension	38
KS-010	Offest Arm	38
KS-011	100mm Square Mounting Plate	39
KS-012	Swivel U Hook	39
KS-013	Dia. 17m Spigot	73
KS-014	Camera Stud with 3/8" and 1/4" thread	39
KS-014R	KS-014 Round Shape	39
KS-015	Double Female Thread Camera Stud	39
KS-015R	KS-015 Round Shape	39
KS-016	90/45 Joining Stud	39
KS-017	Universal 16mm Light Stud	39
KS-018	16mm Stud w/M10 Thread	39
KS-019	Swivel Extension Arm w/5/8" socket	47
KS-020	5/8" Compact Alu. Snap in Pin	39
KS-022	Grip Arm pin	25
KS-023	3/8" Head mounting palte with 5/8" stud	40
KS-024	1/4" Head mounting plate w/ 5/8"	40
KS-025	Camera Stud 3/8"-16 thread	40
KS-026	Camera Stud 1/4"-20 thread	40
KS-027	16mm Male Adapter	40
KS-028	Stand Leg Cover	5
KS-029	Monitor Arm Adapter	43
KS-030	28mm Pin w/M10 Thread	42
KS-031	Snap in right angle pin	41
KS-032	28mm Pin w/M12 Thread	42
KS-034	28mm Stud w/M10 Bolt	42
KS-038	Hex Adapter	48
KS-038DR	Dot Receiver	48
KS-039	Adjustable cold shoe mount	53
KS-040	28mm Pin w/M10 Thread & Plate	42
KS-041	Hot shoe Adapter W/ barrel Adapter	53
KS-042	28mm Pin w/M12 Thread & Plate	42
KS-043	Right angle baby wall plate	41
KS-044	9" baby wall plate	41
KS-045	6" baby wall plate	41
KS-046	3" Baby Wall Plate	41
KS-047	Baby receiver wall plate	41
KS-048	Junior Wall Plate	41

Code	Description	Page
KS-049	Scraper	43
KS-050	Flag Holder	48
KS-051	1/4" + 1/4" Adapter Spigot	40
KS-052	Adapter for 3/8"F- 16 to 1/4"-20 M	40
KS-053	Adapter for 3/8"-16 to 1/4"-20	40
KS-054	3/8" + 1/4" Adapter Spigot	40
KS-055	Junior multi header	50
KS-056	6 Lantern T Bar	50
KS-057	offset baby wall plate	41
KS-058	Baby Offset Arm	46
KS-059	Junior Ofset Arm	46
KS-060	16mm Socket w/1/4" Thread	42
KS-062	16mm Socket w/3/8" Thread	42
KS-063	3/8"-16M to 1/4-20" F adapter	40
KS-070	Double Female Adapter-5/8"	42
KS-071	Double baby receiver adapter	42
KS-074	Long Double Stud - 5/8"	41
KS-076	5/8" Stud with 1/4-20" Female Thread	41
KS-080	Ball Race M10 Stud	43
KS-082	Ball Race M12 Stud	43
KS-089	28mm receiver Spigot	73
KS-090	Yoke to Stand Adapter	42
KS-091	5/8" Light Stud for 4 Way Clamp	45
KS-092	5/8" Male Adapter for 4 Way Clamp	45
KS-093	5/8" Female Adapter for 4 Way Clamp	45
KS-101	Umbrella Swivel Bracket	55
KS-102	Swiveling umbrella adapter	55
KS-103	Versatile swiveling adapter	55
KS-104	Versatile swiveling adapter w/ KS-CB01	55
KS-105	Verstile swivel adapter with KS-CB02	55
KS-200	Adapter 28mm/16mm Stud	43
KS-300	Tethermate	63
KSC-01	9" Suction Cup with 16mm Baby Pin	57
KSC-02	Double Suction Cup w/ Baby Pin	57
KSC-03	Suction cup with 3/8-16 thread stud	57
KSC-04	Suction cup with fixed baby pin	57
KSC-05	Suction cup with swiveling adapter KS-103	57
KSC-06	Suction cup with swivel baby pin	57
KS-CB01	Camera Bracket	53
KS-CB02	Quick release camera plate	53
KSD-1680A	Sand Bag (Max. load: 15 lbs / 6kg)	82
KSD-1680B	Sand Bag (Max. load: 25 lbs / 11kg)	82
KSD-1680C	Sand Bag (Max. load: 35 lbs / 15kg)	82
KSD-LB01	Lighting Kits Bag	83
KSD-LB02	Grip Case - Black	83
KSJ-100B	Super Joint Demo Kit	64
KSJ-200P	Grip Car A	64
KXB-001P	CAM STEP	89
KXB-6-100	100cm Height X-BONE Brace	89
KXB-6-40	40cm Height X-BONE Brace	89

Code	Description	Page
KXB-6-60	60cm Height X-BONE Brace	89
KXB-6-80	80cm Height X-BONE Brace	89
KXB-AK	Accessory Kit	89
KXB-FP	Plastic Foot Pad	89
M-5	Fog Machine	95
MEZ220-B	MEZ-TIE 2cm x 20cm - Black	86
MEZ220-BL	MEZ-TIE 2cm x 20cm - Blue	86
MEZ220-R	MEZ-TIE 2cm x 20cm - Red	86
MEZ220-W	MEZ-TIE 2cm x 20cm - White	86
MEZ220-Y	MEZ-TIE 2cm x 20cm - Yellow	86
MPS-60	Intercom Rack Mount Power Supply	93
PG-400	Slik Haze Machine	94
PS-30	Power Suppler for 30pcs of Belt	92
S-200	Silent Snow Droper	96
SMH-075	Single Muff Headsets	92
SW-01	Dia. 3.5mm 80cm Safety Wire	74
SW-02	Dia. 3.0mm 75cm Safety Wire	74
SW-03	Dia. 5.0mm 105cm Safety Wire	74
SW-04	Dia. 4.5mm 80cm Safety Wire	74
SW-TB	Safety Wire for KH-20 Butterfly Frame	30
TLS-3	Talkback loudspeaker Statin	30
WPC-2407LF-0	Arri 2.5/4K Line Female	80
WPC-2407LF-W	Arri 575W/1.2K Line Female	80
WPC-2407LF-Z	575W/1.2K Line Female	80
WPC-2407LM-0	Arri 2.5/4K Line Male w/Locking Ring	80
WPC-2407LM-W	Arri 575W/1.2K Line Male w/Locking Ring	80
WPC-2407LM-Z	575W/1.2K Line Male w/Locking Ring	80
WPC-2407SF-0	Arri 2.5/4K Panel Female	80
WPC-2407SF-W	Arri 575W/1.2K Panel Female	80
WPC-2407SF-Z	575W/1.2K Panel Female	80
WPC-2407SM-0	Arri 2.5/4K Panel Male w/Locking Ring	80
WPC-2407SM-W	Arri 575W/1.2K Panel Male w/Locking Ring	80
WPC-2407SM-Z	575W/1.2K Panel Male w/Locking Ring	80
WPC-2806LF	Arri 6K Line Female Including Skintop	80
WPC-2806LM	Arri 6K Line Male including Skintop	80
WPC-2806SF	Arri 6K Panel Female	80
WPC-2809LF	Arri 12/18K Line Female	80
WPC-2809LM	Arri 12/18K Line Male Including Skintop	80
WPC-2809SF	Arri 12/18K Panel Female	80
WS-140	Wingnut Multi-Spanner	74
Z-20	Timmer Controller	95
Z-30	Radio Wireless Remote Control	95

www.grip.com.tw

Kupo co., ltd (Headquater)

Tel: +886-2-2999-1906 Fax:+886-2-2999-1955

6F, No 4, Lane 609, Sec. 5, Chung Shin Rd., San Chung District,
New Taipei City 24159, Taiwan

E-mail : grip@kupo.com.tw

Kupo Shanghai (Branch office)

Tel: +86-21-5677-9636 Fax:+86-21-5677-9218

RM302, No. 86, Jiang Chang, 3rd Rd., Shanghai, 200436, China

www.kupo.com.cn