

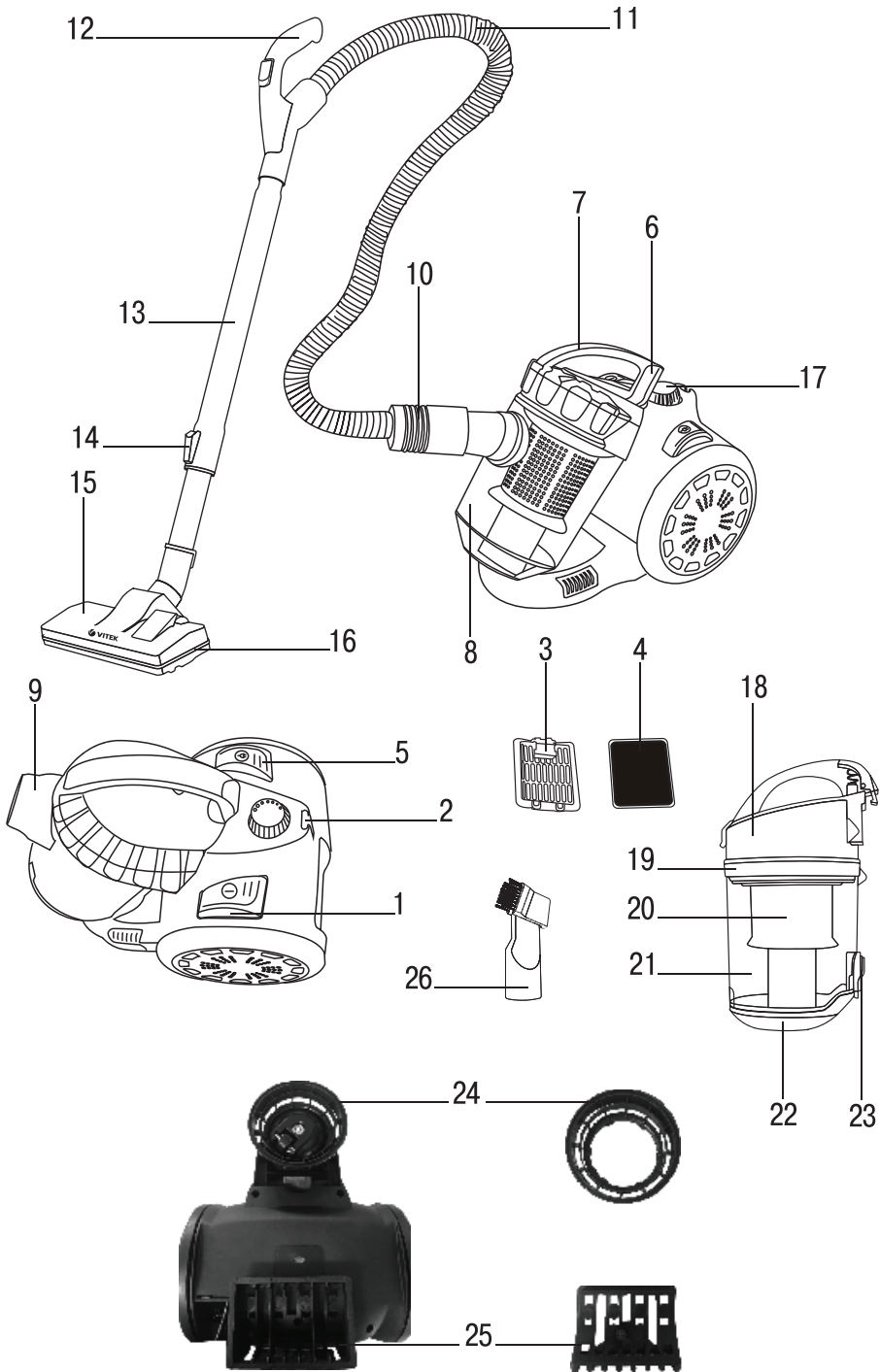
VT-8115 OG

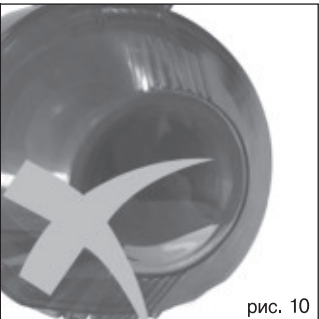
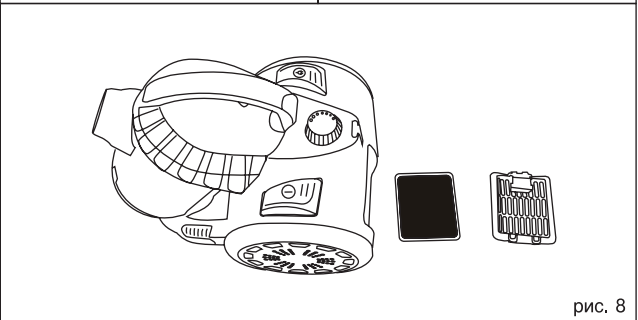
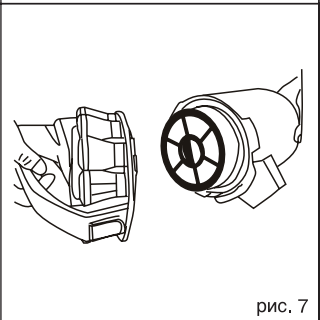
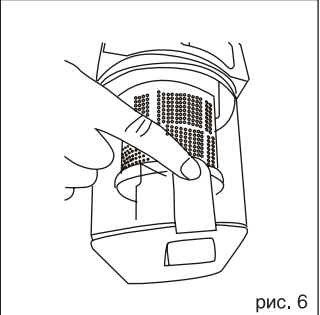
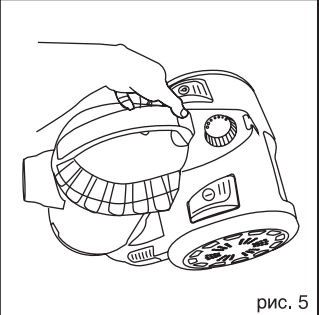
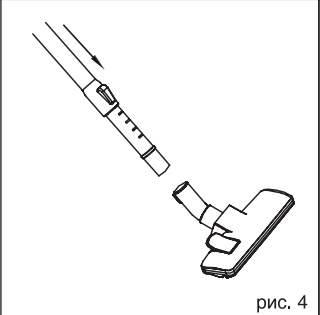
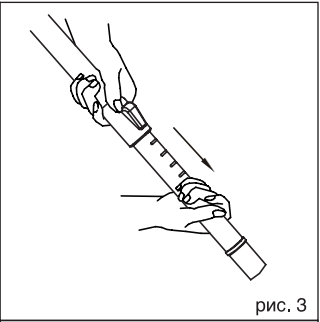
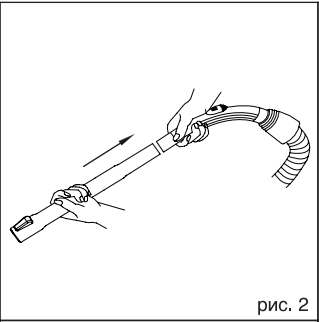
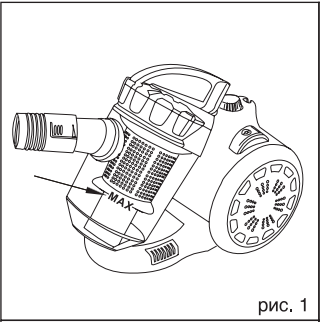
Vacuum cleaner

Пылесос

Инструкция по эксплуатации

GB Manual instruction	4
DE Die betriebsanweisung	8
RUS Инструкция по эксплуатации	13
KZ Пайдалану нұсқасы	18
UA Інструкція з експлуатації	23





ENGLISH

VACUUM CLEANER VT-8115 OG

This unit is intended for room cleaning

DESCRIPTION

1. Power cord winding button
2. Brush storage
3. Outlet filter grid
4. Microfoam outlet filter
5. Vacuum cleaner ON/OFF button
6. Dust bin lock
7. Dust bin handle/vacuum cleaner carrying handle
8. Dust bin
9. Air inlet
10. Flexible hose ending
11. Flexible hose
12. Flexible hose handle
13. Telescopic extension pipe
14. Telescopic pipe lock
15. Universal floor/carpet brush
16. «Floor/carpet» switch
17. Suction power control
18. Dust bin lid
19. Inlet filter with microfoam insert
20. Separator
21. Dust bin flask
22. Dust bin lower lid
23. Lower lid lock
24. Protective ring
25. Protective plate
26. Combined brush

RECOMMENDATIONS ON SAFETY

MEASURES

Read this instruction manual carefully before using the unit and keep it for the whole operation period. Use the unit for intended purposes only, as specified in this manual. Mishandling of the unit may lead to its breakage and cause harm to the user or damage to property.

ATTENTION!

For additional protection you can install a residual current device with nominal operation current not exceeding 30 mA into the mains; contact a specialist for installation.

WARNING

To avoid the risk of fire, electric shock and to prevent injury, observe the following safety measures.

- Before connecting the unit to the mains, make sure that the voltage specified on the unit cor-

responds to your home mains voltage.

- To avoid fire, do not use adapters for connecting the unit to the mains.
- Do not leave the plugged in vacuum cleaner unattended. Always unplug the unit if it is not being used, before changing attachments or before maintenance.
- To prevent the risk of electric shock, do not use the vacuum cleaner outdoors, do not use it for collecting water or other liquids (do not use the vacuum cleaner on wet surfaces).
- Carry the vacuum cleaner holding it by the carrying handle only.
- Do not use the power cord for carrying the vacuum cleaner, do not close the door if the power cord runs through the doorway, do not let the power cord come in contact with sharp corners or edges of furniture, and with hot surfaces. Do not run over the power cord with the vacuum cleaner while room cleaning as this can damage the cord. Always first switch the vacuum cleaner off with the ON/OFF button and only after that take the power plug out of the mains socket.
- When unplugging the unit, pull the plug but not cord.
- Do not touch the plug or the body of the vacuum cleaner with wet hands.
- Hold the winding cord with hand to avoid the plug hitting against the floor.
- Do not cover the unit outlet with foreign objects.
- Do not switch the unit on if any of its openings are blocked.
- Keep hair, free hanging clothes, fingers and other parts of your body away from the vacuum cleaner suction opening.
- Close attention is necessary while cleaning the stair landings.
- Do not use the vacuum cleaner for collecting such highly inflammable liquids as gasoline and solvents, do not use the vacuum cleaner in the places where such liquids are stored.
- Do not use the vacuum cleaner for collecting water and other liquids, burning or smoking cigarettes, matches, cinders as well as fine dust, for example, of plaster, concrete, flour or ashes.
- Do not use the vacuum cleaner, if:
 - the dust bin is not installed or is improperly assembled;
 - the inlet and outlet filters are not installed.
- Do not immerse the unit body into water or other liquids.

- Use only the accessories and attachments supplied.
- Clean the vacuum cleaner regularly.
- Keep the vacuum cleaner in a dry cool place.
- Do not use the vacuum cleaner to clean pets.
- Close supervision is necessary when children under 8 years of age or disabled persons are near the operating unit.
- This unit is not intended for usage by children under 8 years of age. Place the unit out of reach of children under 8 years of age during the operation and cooling down.
- This unit is not intended for usage by people (including children over 8) with physical, neural and mental disorders or with insufficient experience or knowledge. Such persons may use the unit only if they are under supervision of a person who is responsible for their safety and if they are given all the necessary and understandable instructions concerning the safe usage of the unit and information about danger that can be caused by its improper usage.
- Do not leave children unattended to prevent using the unit as a toy.
- For children safety reasons do not leave polyethylene bags, used as a packaging, unattended.

Attention! Do not allow children to play with polyethylene bags or packaging film. **Danger of suffocation!**

- Transport the unit in the original package only.
- Make sure regularly that the power plug and the power cord are not damaged.
- Do not use the unit if the power cord or plug is damaged, if the unit works improperly or after it was dropped or in case of leakage.
- Do not repair the unit by yourself. Do not disassemble the unit by yourself, if any malfunction is detected or after it was dropped, unplug the unit and apply to any authorized service center from the contact address list given in the warranty certificate and on the website www.vitek.ru.
- Keep the unit out of reach of children and disabled persons.

THE UNIT IS INTENDED FOR HOUSEHOLD USAGE ONLY

Safety measures

- Do not use the vacuum cleaner near hot surfaces, ashtrays and in the places where inflammable liquids are stored.

- Take sharp objects away from the floor before cleaning to prevent damage to the unit.
- If the suction power of the vacuum cleaner decreases rapidly while cleaning, switch it off immediately, unplug the unit and check the telescopic pipe and the flexible hose for obstruction. If necessary, remove the obstruction and only then continue cleaning.

ASSEMBLING THE VACUUM CLEANER

After unit transportation or storage at low temperature keep it for at least three hours at room temperature before switching on.

- Unpack the unit completely and remove any stickers that can prevent unit operation.
- Check the unit for damages; do not use it in case of damages.
- Before switching the unit on, make sure that your home mains voltage corresponds to the unit operating voltage.

Note:

Always switch the vacuum cleaner off and take the power plug out of the socket before replacing the brush attachments and before cleaning the dust bin (8).

Attaching the flexible hose, the telescopic pipe and the attachments

- Insert the flexible hose ending (10) into the air inlet (9) and turn it clockwise until locking (pic. 1). To remove the flexible hose (11), turn the flexible hose ending (10) counterclockwise.
- Insert the flexible hose handle (12) into the telescopic extension pipe (13) (pic. 2).
- Extend the lower part of the telescopic extension pipe to the required length, having preliminarily pressed the lock (14) (pic. 3).
- Choose the necessary attachment — the floor/carpet brush (15) or the combined brush (26) — and attach the attachment to the telescopic extension pipe (13) (pic. 4).

Floor/carpet brush (15)

Set the «floor/carpet» switch (16) to the required position (depending on the type of the surface being cleaned).

Combined brush (26)

The combined brush (26) is intended not only for cleaning radiators, crevices, corners and spaces between cushions, but for collecting dust from

ENGLISH

furniture surface as well, the pile on the combined brush (26) prevents damage to polished furniture surface.

USING THE VACUUM CLEANER

Safety measures

- Do not use the vacuum cleaner near hot surfaces, ashtrays and in the places where inflammable liquids are stored.
- If the suction power of the vacuum cleaner decreases rapidly while cleaning, switch it off immediately and check the telescopic pipe and the flexible hose for obstruction. Switch the vacuum cleaner off, then unplug it, remove the obstruction and only after that continue cleaning.

Attention! Always switch the vacuum cleaner on only with the dust bin (8), inlet (19) and outlet (4) filters installed. Always make sure that the filters are installed properly.

Attention! To avoid scratching the floor remove the transportation safety accessories before using the vacuum cleaner. To do this, turn the unit over and remove the protective ring (24) and the protective plate (25).

- Before using the unit, unwind the power cord to the required length and insert the power plug into the mains socket. The yellow mark on the power cord warns about the maximum cord length. Do not unwind the power cord further than the red mark.
- Press the button (5) to switch the vacuum cleaner on.
- During the unit operation you can control the suction power with the control (17).
- After the unit operation, switch the vacuum cleaner off by pressing the button (5) and unplug the unit.
- To wind the cord, press and hold down the button (1), hold the winding cord with hand to avoid its whipping and damage.
- Between the vacuum cleaner operations, use the brush storage (2).
- Use the handle (7) for carrying the vacuum cleaner or the dust bin (8) (pic. 5).

AUTO SWITCH-OFF FUNCTION

- The vacuum cleaner is equipped with auto switch-off function in case of motor overheating.
- In case of overheating of the motor, the automatic thermal switch will be on, and the vacuum cleaner will be switched off.

- In this case immediately remove the power plug from the mains socket.
- Check the telescopic pipe and the flexible hose for obstruction and remove the obstruction.
- Let the vacuum cleaner cool down for approximately 20-30 minutes before switching it on again.
- Plug the vacuum cleaner into the mains, switch it on, if the unit can not be switched on, this may mean that it is otherwise damaged. In this case contact an authorized service center for repair.

CLEANING AND CARE

Remove garbage and dust, disassemble and clean the dust bin (8) after every usage of the vacuum cleaner.

Start cleaning with the vacuum cleaner only after having preliminarily removed dust and waste from the dust bin (8).

Taking off the dust bin (8) and removing dust and waste from it

- Switch the vacuum cleaner off and unplug it.
- Remove the flexible hose (11) by turning the flexible hose ending (10) counterclockwise.
- Holding the handle (7), push the lock (6) and remove the dust bin (8).
- Place the dust bin over a garbage bin. Open the lower lid (23) by pressing the lid lock (24) (pic. 6). Remove accumulated dust and waste from the dust bin (8).

Disassembling and cleaning of the dust bin (8)

- Switch the vacuum cleaner off and unplug it,
- Press the lock (6) and remove the dust bin (8).
- Open the lower lid (22) by pressing the lid lock (23) and remove dust and waste from the dust bin (8). Close the lower lid (22).
- Holding the dust bin (8) by the flask (21), turn the lid (18) counterclockwise and take it off (pic. 7).
- Clean the inlet filter (19) from dust. To do this, remove the microfoam insert from the filter body (19).
- Wash the inlet filter (19) and the microfoam insert under warm water jet and dry them thoroughly.
- Take the separator from the flask (21), holding the separator (20) by its ledges.

- Wash the separator (20) and the flask (21) under warm water jet and dry them thoroughly.

Attention: Before assembling the dust bin make sure that all removable parts are clean and dry.

Assembling of the dust bin (8)

- Insert the separator (20) into the flask (21). To do this, match the ledges on the separator (20) with the corresponding grooves of the flask (21).
- Install the microfoam insert into the inlet filter body (19).
- Install the assembled inlet filter (19) back to its place.
- Install the lid of the dust bin (18), matching the ledges on the lid (18) with the grooves on the dust bin flask (21) and turn the lid (18) clockwise until locking, the dust bin lock button (6) should be opposite the lower lid lock (23).

Attention!

- Stop using the unit and remove the waste if it exceeds the MAX mark (pic. 1)
- Before using the unit make sure that the sealing gasket is installed properly (pic. 9). Bad sealing (pic. 10) can let dust through and cause motor burning.

Cleaning the outlet filter (pic. 8).

Clean the outlet filter (4) regularly.

- Take the outlet filter (3) grid off by pressing the lock.
- Take the outlet filter (4) off from the inner side of the grid, wash it under warm water jet and dry it thoroughly.
- Fix the outlet filter (4) on the inner side of the grid (3).
- Install the grid (3) back to its place.

Notes:

- Do not wash the filters (4, 19), the microfoam insert, the separator (20) and the dust bin flask (21) in a dishwashing machine.
- Before installing the filters (4, 19) make sure that they are dry.
- Do not dry the filters (4, 19), the microfoam insert and other removable parts with a hair-dryer.

Vacuum cleaner body

- Wipe the vacuum cleaner body with a soft, slightly damp cloth and then wipe it dry.
- Do not immerse the body of the vacuum cleaner, the power cord and the power plug of the unit into water or other liquids. Provide that no liquid gets inside the vacuum cleaner body.
- Never use solvents or abrasives to clean the surface of the vacuum cleaner.

STORAGE

- Before taking the vacuum cleaner away for long term storage, clean its body, the dust bin (8) and the filters (4, 19).
- For easy storing use the brush storage (2).
- Keep the vacuum cleaner away from children in a dry cool place.

DELIVERY SET

1. Vacuum cleaner with filters and dust bin installed – 1 pc.
2. Flexible hose – 1 pc.
3. Telescopic extension pipe – 1 pc.
4. Universal brush – 1 pc.
5. Combined brush – 1 pc.
6. Instruction manual – 1 pc.

TECHNICAL SPECIFICATIONS

Power supply: 220-240 V ~ 50 Hz

Maximum power consumption: 1800 W

Suction power: 350 W

The manufacturer reserves the right to change the unit specifications without a preliminary notification.

Unit operating life is 3 years

Guarantee

Details regarding guarantee conditions can be obtained from the dealer from whom the appliance was purchased. The bill of sale or receipt must be produced when making any claim under the terms of this guarantee.



This product conforms to the EMC-Requirements as laid down by the Council Directive 2004/108/EC and to the Low Voltage Regulation (2006/95/EC)

DEUTSCH

STAUBSAUGER VT-8115 OG

Das Gerät ist zur Reinigung von Räumen bestimmt.

BESCHREIBUNG

1. Taste der Netzkabelaufwicklung
2. Bürstenaufbewahrungsstelle
3. Gitter des Ausgangsfilters
4. Mikroschaumstoff-Ausgangsfilter
5. Ein-/Ausschalttaste des Staubsaugers
6. Sperre des Staubbehälters
7. Griff des Staubbehälters/Tragegriff
8. Staubbehälter
9. Lufteintrittsöffnung
10. Endstück des biegsamen Schlauchs
11. Biegsamer Schlauch
12. Griff des biegsamen Schlauchs
13. Teleskopverlängerungsrohr
14. Teleskoprohr-Arretierung
15. Universale Fußboden-/Teppichbürste
16. «Fußboden/Teppich»-Schalter
17. Saugleistungsregler
18. Staubbehälterdeckel
19. EingangsfILTER mit Mikroschaumstoffeinlage
20. Separator
21. Kolben des Staubbehälters
22. Unterdeckel des Staubbehälters
23. Halterung des Unterdeckels
24. Schutzring
25. Schutzplatte
26. Kombinierte Bürste

SICHERHEITSMABNAHMEN

Lesen Sie diese Betriebsanleitung vor der ersten Nutzung aufmerksam durch und bewahren Sie diese während der ganzen Betriebszeit des Geräts. Benutzen Sie das Gerät nur bestimmungsmäßig und laut dieser Bedienungsanleitung. Nicht ordnungsgemäße Nutzung des Geräts kann zu seiner Störung führen und einen gesundheitlichen oder materiellen Schaden beim Nutzer hervorrufen.

ACHTUNG!

Als zusätzlicher Schutz ist es zweckmäßig, den FI-Schalter mit Nennstrom maximal bis 30 mA in den Stromversorgungskreis aufzustellen; wenden Sie sich dafür an einen Spezialisten.

WARNUNG

Um Brand-, Stromschlagrisiko oder Verletzungen zu vermeiden, beachten Sie folgende Empfehlungen.

- Bevor Sie das Gerät ans Stromnetz anschließen, vergewissern Sie sich, dass die am Gerät angegebene Spannung und die Netzspannung in Ihrem Haus übereinstimmen.
- Verwenden Sie keine Adapterstecker beim Anschließen des Geräts ans Stromnetz, um Brandrisiko zu vermeiden.
- Lassen Sie den an die Steckdose angeschlossenen Staubsauger nie unbeaufsichtigt. Trennen Sie den Netzstecker vom Stromnetz unbedingt ab, wenn Sie den Staubsauger nicht benutzen, beim Ersetzen der Aufsätze, sowie vor der Wartung.
- Um das Stromschlagrisiko zu vermeiden, benutzen Sie den Staubsauger draußen nicht; es ist nicht gestattet, den Staubsauger fürs Sammeln von Wasser oder anderen Flüssigkeiten zu benutzen (benutzen Sie den Staubsauger an nassen Oberflächen nicht).
- Tragen Sie den Staubsauger nur am Tragegriff.
- Benutzen Sie das Netzkabel als Griff beim Tragen des Staubsaugers nicht, schließen Sie die Tür nicht, wenn das Netzkabel durch die Türöffnung liegt, vermeiden Sie die Berührung des Netzkabels mit scharfen Möbelkanten und -ecken, sowie mit geheizten Oberflächen. Es ist nicht gestattet, das Netzkabel mit dem Staubsauger während der Raumreinigung zu überrollen – das kann zur Beschädigung des Netzkabels führen. Zuerst schalten Sie den Staubsauger mit der Ein-/Ausschalttaste aus, erst dann ziehen Sie den Netzstecker aus der Steckdose heraus.
- Wenn Sie das Gerät vom Stromnetz abtrennen, ziehen Sie das Netzkabel nicht, sondern halten Sie den Netzstecker.
- Berühren Sie den Netzstecker oder das Gehäuse des Staubsaugers mit nassen Händen nicht.
- Halten Sie das abwickelnde Netzkabel mit der Hand, um Schlagen des Netzsteckers gegen die Bodenoberfläche zu vermeiden.
- Es ist nicht gestattet, die Austrittsöffnung des Geräts mit jeglichen Genständen abzudecken.
- Es ist nicht gestattet, das Gerät einzuschalten, wenn eine seiner Öffnungen blockiert ist.
- Halten Sie Haar, frei hängende Kleiderstücke, Finger und andere Körperteile von den Lufteintrittsöffnungen des Staubsaugers fern.
- Seien Sie beim Aufräumen von Treppenabsätzen besonders vorsichtig.

- Es ist nicht gestattet, den Staubsauger für Sammeln der leicht entflammbaren Flüssigkeiten wie Benzin oder Lösungsmittel zu benutzen; benutzen Sie nie den Staubsauger an den Orten, wo diese Flüssigkeiten aufbewahrt werden.
- Es ist nicht gestattet, den Staubsauger fürs Sammeln von Wasser und jeglichen anderen Flüssigkeiten, brennenden oder rauchenden Zigaretten, Streichhölzern, schwelender Asche, sowie feinverteiltem Staub, z. B. vom Verputz, Beton, Mehl oder Asche, zu benutzen.
- Es ist nicht gestattet, den Staubsauger zu benutzen, wenn:
 - der Staubbehälter nicht aufgestellt oder nicht richtig zusammengebaut ist;
 - Ein-/und Ausgangsfilter nicht aufgestellt sind.
- Tauchen Sie das Gehäuse des Staubsaugers ins Wasser oder jegliche andere Flüssigkeiten nicht ein.
- Benutzen Sie nur das Zubehör und die Aufsätze, die zum Lieferumfang gehören.
- Reinigen Sie den Staubsauger regelmäßig.
- Bewahren Sie den Staubsauger an einem kühlen trockenen Ort auf.
- Es ist nicht gestattet, den Staubsauger für das Reinigen der Haustiere zu benutzen.
- Besondere Vorsichtsmaßnahmen sind in den Fällen angesagt, wenn sich Kinder unter 8 Jahren oder behinderte Personen in der Nähe vom eingeschalteten Gerät aufhalten.
- Dieses Gerät darf von Kindern unter 8 Jahren nicht benutzt werden. Während des Betriebs und des Abkühlens stellen Sie das Gerät an einen für Kinder unter 8 Jahren unzugänglichen Ort auf.
- Dieses Gerät ist nicht für Personen (darunter auch Kinder über 8 Jahren) mit Körper-, Nerven- und Geistesstörungen oder ohne ausreichende Erfahrung oder Kenntnisse geeignet. Dieses Gerät darf von solchen Personen nur dann genutzt werden, wenn sie sich unter Aufsicht der Person befinden, die für ihre Sicherheit verantwortlich ist, und wenn ihnen entsprechende und verständliche Anweisungen über sichere Nutzung des Geräts und die Gefahren bei seiner falschen Nutzung gegeben wurden.
- Beaufsichtigen Sie Kinder, damit sie das Gerät als Spielzeug nicht benutzen.
- Aus Kindersicherheitsgründen lassen Sie Plastiktüten, die als Verpackung verwendet werden, nie ohne Aufsicht.

Achtung! Lassen Sie Kinder mit Plastiktüten oder Verpackungsfolien nicht spielen.

Erstickungsgefahr!

- Transportieren Sie das Gerät nur in der Fabrikverpackung.
- Prüfen Sie den Netzstecker und das Netzkabel regelmäßig auf Schäden.
- Es ist nicht gestattet, das Gerät zu benutzen, wenn der Netzstecker oder das Netzkabel beschädigt sind, wenn das Gerät nicht richtig funktioniert, sowie im Sturzfall oder beim Wasserauslauf.
- Es ist nicht gestattet, das Gerät selbständig zu reparieren. Es ist nicht gestattet, das Gerät selbständig auseinanderzunehmen, bei der Feststellung jeglicher Beschädigungen oder im Sturzfall trennen Sie das Gerät von der Steckdose ab und wenden Sie sich an einen autorisierten (bevollmächtigten) Kundendienst unter den Kontaktadressen, die im Garantieschein und auf der Website www.vitek.ru angegeben sind.
- Bewahren Sie das Gerät an einem für Kinder und behinderte Personen unzugänglichen Ort auf.

DAS GERÄT IST NUR FÜR DEN GEBRAUCH IM HAUSHALT GEEIGNET

Vorsichtsmaßnahmen

- Es ist nicht gestattet, den Staubsauger in direkter Nähe von zu heißen Oberflächen, neben Aschenbechern und an Orten, wo leichtentzündbare Flüssigkeiten aufbewahrt werden, zu benutzen.
- Bevor Sie das Aufräumen vornehmen, nehmen Sie scharfe Gegenstände vom Boden weg, um die Gerätebeschädigung zu vermeiden.
- Wenn die Saugleistung des Staubsaugers während des Aufräumens stark gesunken ist, schalten Sie ihn sofort aus, dann trennen Sie ihn vom Stromnetz ab und prüfen Sie, ob das Teleskoprohr und der Schlauch verstopft sind. Entfernen Sie gegebenenfalls die Verstopfung, erst dann können Sie das Aufräumen fortsetzen.

ZUSAMMENBAU DES STAUBSAUGERS

Falls das Gerät bei niedrigen Temperaturen transportiert oder aufbewahrt wurde, lassen Sie es bei der Raumlufttemperatur nicht weniger als drei Stunden bleiben.

DEUTSCH

- Nehmen Sie das Gerät aus der Verpackung völlig heraus und entfernen Sie alle Aufkleber, die die Nutzung des Geräts stören.
- Prüfen Sie die Ganzheit des Geräts, wenn das Gerät beschädigt ist, benutzen Sie es nicht.
- Vor dem Einschalten des Geräts vergewissern Sie sich, dass die Netzspannung und die Betriebsspannung des Geräts übereinstimmen.

Anmerkung:

Schalten Sie den Staubsauger unbedingt aus und ziehen Sie den Netzstecker aus der Steckdose heraus, wenn Sie Aufsatzbürsten ersetzen, sowie vor der Reinigung des Staubbehälters (8).

Anschließen des biegsamen Schlauchs, des Teleskoprohrs und der Aufsätze

- Setzen Sie das Endstück des biegsamen Schlauchs (10) in die Lufteintrittsöffnung (9) ein und drehen Sie es im Uhrzeigersinn bis zum Einrasten (Abb. 1). Um den biegsamen Schlauch (11) abzunehmen, drehen Sie das Endstück des biegsamen Schlauchs (10) entgegen dem Uhrzeigersinn.
- Setzen Sie den Griff des biegsamen Schlauchs (12) ins Teleskopverlängerungsrohr (13) ein (Abb. 2).
- Schieben Sie den Unterteil des Teleskoprohrs auf die notwendige Länge aus, drücken Sie vorher die Arretierung (14) (Abb. 3).
- Wählen Sie den notwendigen Aufsatz — die Fußboden-/Teppichbürste (15) oder die kombinierte Bürste (26) — und schließen Sie den Aufsatz ans Teleskopverlängerungsrohr (13) an (Abb. 4).

Fußboden-/Teppichbürste (15)

Stellen Sie den «Fußboden/Teppich»-Schalter (16) in die notwendige Position (abhängig vom Oberflächentyp, auf der Sie das Aufräumen vornehmen).

Kombinierte Bürste (26)

Die kombinierte Bürste (26) ist nicht nur für die Reinigung von Radiatoren, Spalten, Ecken und dem Raum zwischen Sofakissen, sondern auch fürs Sammeln des Staubs von der Möbeloberfläche geeignet, der Flor an der kombinierten Bürste (26) verhindert dabei die Beschädigung der polierten Möbeloberfläche.

VERWENDUNG

Vorsichtsmaßnahmen

- Es ist nicht gestattet, den Staubsauger in direkter Nähe von heißen Oberflächen, neben Aschenbechern und auch an Orten, wo leicht entflammare Flüssigkeiten aufbewahrt werden, zu benutzen.
- Wenn während des Aufräumens die Saugleistung des Staubsaugers stark gesunken ist, schalten Sie ihn sofort aus und prüfen Sie, ob das Teleskoprohr oder der Schlauch verstopft sind. Schalten Sie den Staubsauger aus, dann trennen Sie ihn vom Stromnetz ab, entfernen Sie die Verstopfung, erst danach setzen Sie das Aufräumen fort.

Achtung! Schalten Sie den Staubsauger nur mit eingestelltem Staubbehälter (8) und mit Eingangs- (19) und Ausgangsfiltern (4) ein. Prüfen Sie unbedingt, ob die Filter richtig aufgestellt sind.

Achtung! Vor der Nutzung des Staubsaugers entfernen Sie Transportschutzvorrichtungen, um das Ritzen des Bodens zu vermeiden. Dafür kippen Sie das Gerät um und nehmen Sie den Schutzring (24) und die Schutzplatte (25) davon ab.

- Vor der Nutzung ziehen Sie das Netzkabel auf die notwendige Länge aus und stecken Sie den Netzstecker in die Steckdose ein. Das gelbe Zeichen am Netzkabel zeigt die maximale Kabellänge an. Es ist nicht gestattet, das Netzkabel über die rote Marke aus-zuziehen.
- Um den Staubsauger einzuschalten, drücken Sie die Taste (5).
- Während des Betriebs können Sie die Saugleistung mittels des Reglers (17).
- Nach dem Betrieb schalten Sie den Staubsauger aus, indem Sie die Taste (5) drücken, und ziehen Sie den Netzstecker aus der Steckdose heraus.
- Um das Netzkabel aufzuwickeln, drücken und halten Sie die Taste (1), halten Sie das abwickelnde Netzkabel mit der Hand, um sein Schlingen und Beschädigung zu vermeiden.
- Während der Betriebspausen benutzen Sie die Bürstenaufbewahrungsstelle (2).
- Benutzen Sie den Griff (7) zum Tragen des Staubsaugers oder des Staubbehälters (8) (Abb. 5).

FUNKTION DER AUTOMATISCHEN ABSCHALTUNG

- Der Staubsauger ist mit der Funktion der automatischen Abschaltung bei der Überhitzung des Elektromotors ausgestattet.
- Bei der Überhitzung des Elektromotors spricht das Sicherungselement automatisch an, dabei schaltet sich der Staubsauger aus.
- In diesem Fall ziehen Sie den Netzstecker aus der Steckdose sofort heraus.
- Prüfen Sie, ob das Teleskoprohr und der biegsame Schlauch verstopft sind, und entfernen Sie die Verstopfung.
- Lassen Sie das Gerät ca. 20-30 Minuten abkühlen, bevor Sie es wieder einschalten.
- Schließen Sie den Staubsauger ans Stromnetz an und schalten Sie ihn ein; falls sich das Gerät nicht einschaltet, kann dies bedeuten, dass der Staubsauger andere Beschädigungen hat. In diesem Fall wenden Sie sich an einen autorisierten (bevollmächtigten) Kundendienst, um den Staubsauger reparieren zu lassen.

REINIGUNG UND PFLEGE

Entfernen Sie Müll und Staub aus dem Staubbehälter (8), nehmen Sie ihn auseinander und reinigen Sie ihn nach jeder Nutzung des Staubsaugers.

Nehmen Sie das Aufräumen nur dann vor, wenn Sie Müll und Staub aus dem Staubbehälter (8) vorher entfernt haben.

Abnehmen des Staubbehälters (8) und Staub- und Müllentfernung

- Schalten Sie den Staubsauger aus und ziehen Sie den Netzstecker aus der Steckdose heraus.
- Trennen Sie den biegsamen Schlauch (11) ab, indem Sie das Endstück des biegsamen Schlauchs (10) entgegen dem Uhrzeigersinn drehen.
- Drücken Sie die Halterung (6) und nehmen Sie den Staubbehälter (8) ab, indem Sie den Griff (7) halten.
- Halten Sie den Staubbehälter über dem Abfalleimer. Machen Sie den Unterdeckel (22) auf, indem Sie die Deckelhalterung (21) drücken (Abb. 6). Entfernen Sie angesammelten Staub und Müll aus dem Staubbehälter (8).

Auseinandernahme und Reinigung des Staubbehälters (8)

- Schalten Sie den Staubsauger aus und trennen Sie ihn vom Stromnetz ab,

- Drücken Sie die Halterung (6) und nehmen Sie den Staubbehälter (8) ab.
- Öffnen Sie den Unterdeckel (22), indem Sie die Deckelhalterung (23) drücken, und entfernen Sie Staub und Müll aus dem Staubbehälter (8). Machen Sie den Unterdeckel (22) zu.
- Drehen Sie den Deckel (18) entgegen dem Uhrzeigersinn und nehmen Sie ihn ab, indem Sie den Staubbehälter (8) am Kolben (21) festhalten (Abb. 7).
- Reinigen Sie das EingangsfILTER (19) vom Staub, ziehen Sie dafür die Mikroschaumstoffeinlage aus dem Gehäuse des Filters (19).
- Waschen Sie das EingangsfILTER (19) und die Mikroschaumstoffeinlage unter dem Warmwasserstrahl und trocknen Sie sie sorgfältig ab.
- Nehmen Sie den Separator (20) aus dem Kolben (21) heraus, indem Sie die Vorsprünge anfassen.
- Waschen Sie den Separator (20) und den Kolben des Staubbehälters (21) unter dem Warmwasserstrahl und trocknen Sie sie sorgfältig ab.

ACHTUNG: Vergewissern Sie sich vor dem Zusammenbau des Staubbehälters, dass alle abnehmbaren Teile sauber und trocken sind.

Zusammenbau des Staubbehälters (8).

- Setzen Sie den Separator (20) in den Kolben des Staubbehälters (21) ein. Dafür lassen Sie die Vorsprünge am Separator (20) und die nach Lage und Form entsprechenden Aussparungen auf dem Kolben (21) zusammenfallen.
- Stellen Sie die Mikroschaumstoffeinlage ins Gehäuse des Eingangsfilters (19) ein.
- Stellen Sie den zusammengebauten EingangsfILTER (19) zurück auf.
- Setzen Sie den Staubbehälterdeckel (18) auf, indem Sie die Vorsprünge am Deckel (18) mit den Aussparungen des Staubbehälters (21) zusammenfallen lassen, und drehen Sie den Deckel (18) im Uhrzeigersinn bis zum Einrasten, dabei soll sich die Halterungstaste des Staubbehälters (6) gegenüber der Unterdeckelsperre (23) befinden.

Achtung!

- Stoppen Sie den Betrieb und entfernen Sie den Müll, wenn er die «MAX»-Marke übersteigt (Abb. 1)

DEUTSCH

- Vor der Nutzung vergewissern Sie sich, dass die Dichtungseinlage richtig aufgestellt ist (Abb. 9). Schlechte Dichtung (Abb. 10) kann Staub durchlassen und Durchbrennen des Motors hervorrufen.

Reinigung des Ausgangsfilters (Abb. 8).

Reinigen Sie das Mikroschaumstoff-Ausgangsfilter (4) regelmäßig.

- Nehmen Sie das Gitter (3) des Ausgangsfilters ab, indem Sie die Sperre drücken.
- Nehmen Sie das Ausgangsfilter (4) von der Innenseite des Gitters, waschen Sie es unter dem Warmwasserstrahl und trocknen Sie es sorgfältig ab.
- Stellen Sie das Ausgangsfilter (4) von der Innenseite des Gitters (3) auf.
- Stellen Sie das Gitter (3) zurück auf.

Anmerkungen:

- *Es ist nicht gestattet, die Filter (4, 19), die Mikroschaumstoffeinlage, den Separator (20) und den Kolben des Staubbehälters (21) in der Geschirrspülmaschine zu waschen.*
- *Vergewissern Sie sich vor dem Aufstellen der Filter (4, 19), dass sie trocken sind.*
- *Es ist nicht gestattet, einen Haartrockner zum Trocknen der Filter (4, 19), der Mikroschaumstoffeinlage und anderer abnehmbaren Geräteteile zu benutzen.*

Staubsaugergehäuse

- Wischen Sie das Gehäuse des Staubsaugers mit einem weichen, leicht angefeuchteten Tuch, danach trocknen Sie es ab.
- Es ist nicht gestattet, das Staubsaugergehäuse, das Netzkabel und den Netzstecker ins Wasser oder jegliche andere Flüssigkeiten einzutau-chen. Achten Sie darauf, dass keine Flüssigkeit ins Staubsaugergehäuse gelangt.
- Es ist nicht gestattet, Abrasiv- und Lösungsmittel für die Reinigung der Oberfläche des Staubsaugers zu benutzen.

AUFBEWAHRUNG

- Bevor Sie den Staubsauger zur längeren Aufbewahrung wegpacken, reinigen Sie das Gehäuse des Staubsaugers, den Staubbehälter (8) und die Filter (4, 19).
- Zwecks der handlichen Aufbewahrung benutzen Sie die Bürstenaufbewahrungsstelle (2).
- Bewahren Sie den Staubsauger an einem trockenen, kühlen und für Kinder unzugänglichen Ort auf.

LIEFERUMFANG

1. Staubsauger mit eingestellten Filtern und Staubbehälter – 1 St.
2. Biegsamer Schlauch – 1 St.
3. Teleskopverlängerungsrohr – 1 St.
4. Universalbürste – 1 St.
5. Kombinierte Bürste – 1 St.
6. Bedienungsanleitung – 1 St.

TECHNISCHE EIGENSCHAFTEN

Stromversorgung: 220-240 V ~ 50 Hz
Maximale Aufnahmeleistung: 1800 W
Saugleistung: 350 W

Der Hersteller behält sich das Recht vor, Design und technische Eigenschaften des Geräts ohne Vorbenachrichtigung zu verändern

Nutzungsdauer des Geräts beträgt 3 Jahre

Gewährleistung

Ausführliche Bedingungen der Gewährleistung kann man beim Dealer, der diese Geräte verkauft hat, bekommen. Bei beliebiger Anspruchserhebung soll man während der Laufzeit der vorliegenden Gewährleistung den Check oder die Quittung über den Ankauf vorzulegen.

Das vorliegende Produkt entspricht den Forderungen der elektromagnetischen Verträglichkeit, die in 2004/108/EC – Richtlinie des Rates und den Vorschriften 2006/95/EC über die Niederspannungsgeräte vorgesehen sind.



ПЫЛЕСОС VT-8115 OG

Устройство предназначено для уборки помещений.

ОПИСАНИЕ

1. Кнопка сматывания сетевого шнура
2. Место для «парковки» щётки
3. Решётка выходного фильтра
4. Микропоролоновый выходной фильтр
5. Кнопка включения/выключения пылесоса
6. Фиксатор контейнера-пылесборника
7. Ручка контейнера-пылесборника/ручка для переноски пылесоса
8. Контейнер-пылесборник
9. Воздухозаборное отверстие
10. Наконечник гибкого шланга
11. Гибкий шланг
12. Рукоятка гибкого шланга
13. Телескопическая удлинительная трубка
14. Фиксатор регулировки длины телескопической трубки
15. Универсальная щётка для пола/ковровых покрытий
16. Переключатель «пол/ковёр»
17. Регулятор мощности всасывания
18. Крышка контейнера-пылесборника
19. Входной фильтр с микропоролоновой вставкой
20. Сепаратор
21. Колба контейнера-пылесборника
22. Нижняя крышка контейнера-пылесборника
23. Фиксатор нижней крышки
24. Защитное кольцо
25. Защитная пластина
26. Комбинированная щётка

РЕКОМЕНДАЦИИ ПО МЕРАМ БЕЗОПАСНОСТИ

Перед использованием устройства внимательно прочитайте данное руководство по эксплуатации и сохраняйте его в течение всего срока эксплуатации. Используйте устройство только по его прямому назначению, как изложено в данном руководстве. Неправильное обращение с устройством может привести к его поломке, причинению вреда пользователю или его имуществу.

ВНИМАНИЕ!

Для дополнительной защиты в цепь питания целесообразно установить устройство защитного отключения (УЗО) с номинальным током срабатывания, не превышаю-

щим 30 мА; при установке следует обратиться к специалисту.

ПРЕДУПРЕЖДЕНИЕ

Для снижения риска возникновения пожара, для защиты от поражения электрическим током и защиты от травм следуйте приведённым ниже рекомендациям.

- Прежде чем подключить устройство к электросети, убедитесь в том, что напряжение, указанное на устройстве, соответствует напряжению электросети в вашем доме.
- Во избежание риска возникновения пожара не используйте переходники при подключении устройства к электрической розетке.
- Не оставляйте пылесос без присмотра, когда он включён в сетевую розетку. Обязательно вынимайте сетевую вилку из электрической розетки, когда не пользуетесь пылесосом, при смене насадок, а также перед его обслуживанием.
- Для снижения риска удара электрическим током не используйте пылесос вне помещений, запрещается использовать пылесос для сбора воды или любой другой жидкости (не используйте пылесос на влажных поверхностях).
- Переносить пылесос можно, только взявшись за ручку для переноски.
- Не используйте сетевой шнур для переноски пылесоса, не закрывайте дверь, если сетевой шнур проходит через дверной проём, избегайте контакта сетевого шнура с острыми краями или углами мебели, а также с нагретыми поверхностями. Во время уборки помещения запрещается переезжать пылесосом через сетевой шнур - вы можете его повредить. Сначала обязательно отключайте пылесос кнопкой включения/выключения, и только после этого можно вынимать вилку сетевого шнура из электрической розетки.
- Отключая устройство от электрической сети, не тяните за сетевой шнур, а беритесь за вилку сетевого шнура.
- Не прикасайтесь к сетевой вилке или к корпусу пылесоса мокрыми руками.
- Во время сматывания сетевого шнура придерживайте шнур рукой, не допускайте, чтобы сетевая вилка ударялась о поверхность пола.

- Запрещается закрывать выходное отверстие устройства какими-либо предметами.
- Запрещается включать устройство, если какое-либо из его отверстий заблокировано.
- Следите за тем, чтобы волосы, свободно висящие элементы одежды, пальцы или другие части тела не находились рядом с воздухозаборными отверстиями пылесоса.
- Будьте особенно внимательны при уборке лестничных площадок.
- Запрещается использовать пылесос для сбора легковоспламеняющихся жидкостей, таких как бензин, растворители, запрещается использование пылесоса в местах хранения таких жидкостей.
- Запрещается с помощью пылесоса собирать воду или любые другие жидкости, горячие или дымящиеся сигареты, спички, тлеющий пепел, а также тонкодисперсную пыль — например, от штукатурки, бетона, муки или золы.
- Запрещается использовать пылесос, если:
 - не установлен или неправильно собран контейнер-пылесборник;
 - не установлены входной и выходной фильтры.
- Не погружайте корпус пылесоса в воду или в любые другие жидкости.
- Используйте только те аксессуары и насадки, которые входят в комплект поставки.
- Проводите регулярную чистку пылесоса.
- Храните пылесос в сухом прохладном месте.
- Не используйте пылесос для чистки домашних животных.
- Будьте особенно внимательны, если поблизости от работающего устройства находятся дети младше 8 лет или лица с ограниченными возможностями.
- Данное устройство не предназначено для использования детьми младше 8 лет. Во время работы и остывания размещайте устройство в местах, недоступных для детей младше 8 лет.
- Данное устройство не предназначено для использования людьми (включая детей старше 8 лет) с физическими, нервными, психическими нарушениями или без достаточного опыта и знаний. Использование устройства такими

лицами допускается лишь в том случае, если они находятся под присмотром лица, отвечающего за их безопасность, при условии, что им были даны соответствующие и понятные инструкции о безопасном использовании устройства и тех опасностях, которые могут возникнуть при его неправильном использовании.

- Осуществляйте надзор за детьми, чтобы не допустить использования устройства в качестве игрушки.
- Из соображений безопасности детей не оставляйте полиэтиленовые пакеты, используемые в качестве упаковки, без присмотра.

Внимание! Не разрешайте детям играть с полиэтиленовыми пакетами или упаковочной плёнкой. **Опасность удушья!**

- Перевозите устройство только в заводской упаковке.
- Регулярно проверяйте вилку сетевого шнура и сетевой шнур на отсутствие повреждений.
- Запрещается использовать устройство при наличии повреждений сетевой вилки или сетевого шнура, если устройство работает с перебоями, а также после его падения или в случае протекания.
- Запрещается самостоятельно ремонтировать прибор. Не разбирайте прибор самостоятельно, при возникновении любых неисправностей, а также после падения устройства выключите прибор из электрической розетки и обратитесь в любой авторизованный (уполномоченный) сервисный центр по контактным адресам, указанным в гарантийном талоне и на сайте www.vitek.ru.
- Храните устройство в местах, недоступных для детей и людей с ограниченными возможностями.

УСТРОЙСТВО ПРЕДНАЗНАЧЕНО ТОЛЬКО ДЛЯ ДОМАШНЕГО ИСПОЛЬЗОВАНИЯ

Меры предосторожности

- Не производите уборку пылесосом в непосредственной близости от сильно нагретых поверхностей, рядом с пепельницами, а также в местах хранения легковоспламеняющихся жидкостей.
- Перед началом уборки уберите с пола острые предметы, чтобы не допустить повреждения устройства.
- Если во время уборки резко снизилась всасывающая мощность пылесоса, немед-

ленно выключите его, затем отключите его от электрической сети и проверьте телескопическую трубку и шланг на предмет засорения. При необходимости устраните засор, и только после этого можно продолжать уборку.

СБОРКА ПЫЛЕСОСА

После транспортировки или хранения устройства при пониженной температуре необходимо выдержать его при комнатной температуре не менее трёх часов.

- Полностью распакуйте устройство и удалите любые наклейки, мешающие работе устройства.
- Проверьте целостность устройства, при наличии повреждений не пользуйтесь устройством.
- Перед включением убедитесь в том, что напряжение электрической сети соответствует рабочему напряжению устройства.

Примечание:

Всякий раз во время замены щёток-насадок, а также перед чисткой контейнера-пылесборника (8) обязательно отключайте пылесос и извлекайте сетевую вилку из электрической розетки.

Подсоединение гибкого шланга, телескопической трубки и насадок

- Вставьте наконечник гибкого шланга (10) в воздухозаборное отверстие (9) и поверните его по часовой стрелке до фиксации (рис. 1). Для снятия гибкого шланга (11) поверните наконечник гибкого шланга (10) против часовой стрелки.
- Вставьте рукоятку гибкого шланга (12) в телескопическую удлинительную трубку (13) (рис. 2).
- Выдвиньте нижнюю часть телескопической трубки на необходимую длину, предварительно нажав на фиксатор (14) (рис. 3).
- Выберите необходимую насадку — либо щётку для пола/ковровых покрытий (15), либо комбинированную щётку (26) — и подсоедините насадку к телескопической удлинительной трубке (13) (рис. 4).

Щётка для пола/ковровых покрытий (15)

Установите переключатель «пол/ковёр» (16) в необходимое положение (в зависимости от типа поверхности, на которой производится уборка).

Комбинированная щётка (26)

Комбинированная щётка (26) предназначена не только для чистки радиаторов, щелей, углов и между подушками диванов, но и для сбора пыли с поверхности мебели, при этом наличие ворса на комбинированной щётке (26) препятствует повреждению полированной поверхности мебели.

ЭКСПЛУАТАЦИЯ

Меры предосторожности

- Не производите уборку пылесосом в непосредственной близости от горячих поверхностей, рядом с пепельницами, а также в местах хранения легковоспламеняющихся жидкостей.
- Если во время уборки резко снизилась всасывающая мощность пылесоса, немедленно выключите пылесос и проверьте телескопическую трубку или шланг на предмет засорения. Выключите пылесос, затем отключите его от электрической сети, устраните засор, и только после этого можно продолжать уборку.

Внимание! Включать пылесос можно только с установленным контейнером-пылесборником (8), а также с входным (19) и выходным (4) фильтрами. Обязательно проверяйте правильность установки фильтров.

Внимание! Во избежание появления царапин на полу перед использованием пылесоса удалите транспортировочные защитные приспособления. Для этого переверните устройство и снимите с него защитное кольцо (24) и защитную пластину (25).

- Перед началом работы вытяните сетевой шнур на необходимую длину и вставьте вилку сетевого шнура в электрическую розетку. Жёлтая отметка на сетевом шнуре предупреждает о максимальной длине шнура. Запрещается вытягивать сетевой шнур дальше красной отметки.
- Для включения пылесоса нажмите на кнопку (5).
- Во время работы вы можете регулировать мощность всасывания регулятором (17).
- По окончании работы отключите пылесос, нажав на кнопку (5), и извлеките вилку сетевого шнура из электрической розетки.
- Для сматывания сетевого шнура нажмите и удерживайте кнопку (1), придерживайте

РУССКИЙ

рукой сматывающийся шнур во избежание его захламления и повреждения.

- Во время перерывов в работе с пылесосом используйте место для «парковки» щётки (2).
- Для переноски пылесоса или контейнера-пылесборника (8) используйте ручку (7) (рис. 5).

ФУНКЦИЯ АВТОМАТИЧЕСКОГО ОТКЛЮЧЕНИЯ

- Пылесос оснащён функцией автоматического отключения при перегреве электродвигателя.
- При перегреве электродвигателя сработает автоматический термозащитный предохранитель, при этом пылесос выключится.
- В этом случае немедленно извлеките вилку сетевого шнура из электрической розетки.
- Проверьте телескопическую трубку и гибкий шланг на предмет засорения и устраните засор.
- Дайте пылесосу охладиться в течение приблизительно 20-30 минут, прежде чем включить его снова.
- Подключите пылесос к электрической сети, включите его, а если прибор не включается, это может означать, что в пылесосе имеются иные повреждения. В этом случае необходимо обратиться в авторизованный (уполномоченный) сервисный центр для ремонта пылесоса.

ЧИСТКА И УХОД

Производите удаление пыли и мусора, а также разборку и чистку контейнера-пылесборника (8) после каждого использования пылесоса. Начиная уборку с помощью пылесоса только в том случае, если из контейнера-пылесборника (8) предварительно были удалены пыль и мусор.

Снятие контейнера-пылесборника (8) и удаление из него пыли и мусора

- Выключите пылесос и извлеките вилку сетевого шнура из электрической розетки.
- Отсоедините гибкий шланг (11), повернув наконечник гибкого шланга (10) против часовой стрелки.
- Держась за ручку (7), нажмите на фиксатор (6) и снимите контейнер-пылесборник (8).
- Расположите контейнер-пылесборник над мусорным ведром. Откройте нижнюю

крышку (22), нажав на фиксатор крышки (23) (рис. 6). Удалите из контейнера-пылесборника (8) скопившуюся пыль и мусор.

Разборка и чистка контейнера-пылесборника (8)

- Выключите пылесос и отключите его от электрической сети,
- Нажмите фиксатор (6) и снимите контейнер-пылесборник (8).
- Откройте нижнюю крышку (22), нажав на фиксатор крышки (23) и удалите пыль и мусор из контейнера-пылесборника (8). Закройте нижнюю крышку (22).
- Придерживая контейнер-пылесборник (8) за колбу (21), поверните крышку (18) против часовой стрелки и снимите её (рис. 7).
- Очистите входной фильтр (19) от пыли, для этого извлеките микропоролоновую вставку из корпуса фильтра (19).
- Промойте входной фильтр (19) и микропоролоновую вставку под струёй теплой воды и тщательно просушите.
- Взглянув за выступы сепаратора (20), извлеките его из колбы (21).
- Промойте сепаратор (20) и колбу контейнера-пылесборника (21) под струёй тёплой воды, затем тщательно просушите.

Внимание: Перед сборкой контейнера-пылесборника убедитесь в том, что все съёмные детали – чистые и сухие.

Сборка контейнера-пылесборника (8)

- Вставьте сепаратор (20) в колбу контейнера-пылесборника (21). Для этого совместите выступы на сепараторе (20) с соответствующими по расположению и форме углублениями на колбе (21).
- Установите микропоролоновую вставку в корпус входного фильтра (19).
- Установите на место собранный входной фильтр (19).
- Установите крышку контейнера-пылесборника (18), совместив выступы на крышке (18) с пазами колбы контейнера-пылесборника (21), и поверните крышку (18) по часовой стрелке до фиксации, при этом кнопка фиксатора контейнера-пылесборника (6) должна быть напротив фиксатора нижней крышки (23).

Внимание!

- Прекратите работу и удалите мусор, если он превышает отметку MAX (рис. 1)

- Перед использованием убедитесь, что уплотнительная вставка установлена надлежащим образом (рис. 9). Плохое уплотнение (рис. 10) может пропускать пыль и вызвать перегорание мотора.

Чистка выходного фильтра (рис. 8).

Регулярно проводите чистку микропоролонового выходного фильтра (4).

- Снимите решётку (3) выходного фильтра, нажав на защёлку.
- Снимите выходной фильтр (4) с внутренней стороны решётки, промойте его под струёй тёплой воды и тщательно просушите.
- Установите выходной фильтр (4) с внутренней стороны решётки (3).
- Установите решётку (3) на место.

Примечания:

- Не используйте посудомоечную машину для промывки фильтров (4, 19), микропоролоновой вставки, сепаратора (20) и колбы контейнера-пылесборника (21).
- Перед установкой фильтров (4, 19) убедитесь в том, что они сухие.
- Запрещается использовать фен для сушки фильтров (4, 19), микропоролоновой вставки и других съёмных деталей.

Корпус пылесоса

- Протирайте корпус пылесоса слегка влажной мягкой тканью, после чего вытрите насухо.
- Запрещается погружать корпус пылесоса, сетевого шнур и вилку сетевого шнура в воду или в любые другие жидкости. Не допускайте попадания жидкости внутрь корпуса пылесоса.
- Запрещается для чистки поверхности пылесоса использовать растворители и абразивные чистящие средства.

ХРАНЕНИЕ

- Прежде чем убрать пылесос на длительное хранение, проведите чистку корпуса, контейнера-пылесборника (8) и фильтров (4, 19).

- Для удобства при хранении используйте место для «парковки» щётки (2).
- Храните пылесос в сухом прохладном месте, недоступном для детей.

КОМПЛЕКТАЦИЯ

1. Пылесос с установленными фильтрами и контейнером-пылесборником – 1 шт.
2. Гибкий шланг – 1 шт.
3. Телескопическая удлинительная трубка – 1 шт.
4. Универсальная щётка – 1 шт.
5. Комбинированная щётка – 1 шт.
6. Инструкция – 1 шт.

ТЕХНИЧЕСКИЕ ХАРАКТЕРИСТИКИ

Электропитание: 220-240 В ~ 50 Гц
 Максимальная потребляемая мощность: 1800 Вт
 Мощность всасывания: 350 Вт

Производитель оставляет за собой право изменять характеристики прибора без предварительного уведомления

Срок службы прибора – 3 года



Данное изделие соответствует всем требованиям европейским и российским стандартам безопасности и гигиены.

Изготовитель: АНДЕР ПРОДАКТС ГмБХ, Австрия

Адрес: Нойбаугюртель 38/7А, 1070 Вена, Австрия

Информация для связи – email: anderproduct@gmail.com

Информация об Импортёре указана на индивидуальной упаковке.

Информация об авторизованных (уполномоченных) сервисных центрах указана в гарантийном талоне и на сайте www.vitek.ru

Единая справочная служба: +7 (495) 921-01-70

Сделано в Китае

ҚАЗАҚША

ШАҢСОРҒЫШ VT-8115 OG

Құрылғы бөлмені жиыстыруға арналған.

СИПАТТАМАСЫ

1. Желілік сымды орау түймесі
2. Қылшақты «орналастыруға» арналған орын
3. Шығыс сүзгі торы
4. Микропоролонды шығаратын сүзгі
5. Шаңсорғышты қосу/өшіру түймесі
6. Шаңжинағыш-контейнер бекіткіші
7. Контейнер–шаңжинауыш сабы/шаңсорғышты тасымалдауға арналған сап
8. Шаңжинағыш-контейнер
9. Ауа сіңіру саңылауы
10. Иілгіш құбыршек ұшы
11. Иілімді шланг
12. Иілгіш құбыршек тұтқасы
13. Телескопиялық ұзартқыш түтік
14. Телескопиялық түтік ұзындығын реттеу бекіткіші
15. Еден/кілем үстіңгі беттеріне арналған әмбебап қылшақ
16. «Еден/кілем» ауыстырып қосқышы
17. Сору қуатын реттегіш
18. Шаңжинағыш-контейнер қақпағы
19. Микропоролонды қондырма бар кіріс сүзгі
20. Сепаратор
21. Контейнер-шаңжинауыш құтысы
22. Контейнер-шаңжинауыш төменгі қақпағы
23. Төменгі қақпақ бекіткіші
24. Қорғаныс сақина
25. Қорғаныс тілім
26. Құрамдастырылған қылшақ

ҚАУІПСІЗДІҢ ШАРАЛАРЫ БОЙЫНША ҰСЫНЫСТАР

Құрылғыны қолданбас бұрын пайдалану жөніндегі нұсқаулықты мұқият оқыңыз және оны пайдаланудың барлық мерзімі ішінде сақтап қойыңыз. Құрылғыны осы нұсқаулықта баяндалғандай тікелей мақсаты бойынша ғана пайдаланыңыз. Құрылғыны дұрыс пайдаланбау жағдайы оның бұзылуына әкеліп соғуы, пайдаланушыға немесе оның мүлкіне зиян келтіруі мүмкін.

НАЗАР АУДАРЫҢЫЗ!

Қосымша қорғаныс үшін қоректендіру тізбегіне қорғаныс ажыратылу құрылғысын (ҚАҚ) 30 мА-ден аспайтын номиналды іске қосылу тоғымен орнатқан дұрыс.ҚАҚ орнатқан кезде маманға хабарласқан жөн.

ЕСКЕРТУ

Өрттің туу тәуекелін төмендету, электр тоғына күйіп қалудан қорғау және жарақаттардан қорғау үшін төменде келтірілген нұсқауларды қадағалаңыз.

- Құрылғыны электр желісіне қоспас бұрын, құрылғыда көрсетілгендей кернеудің үйіңздегі электр желісінің кернеуіне сәйкес келетіндігіне көз жеткізіңіз.
- Өрт шығу қауіпін болдырмау үшін құрылғыны электр розеткасына қосар алдында жалғастырғыштарды пайдаланбаңыз.
- Шаңсорғыш желілі розеткаға қосылу тұрған кезінде оны қараусыз қалдырмау керек. Шаңсорғышты қолданбаған кезде, саптамаларды айырбастауда, сонымен бірге оған қызмет көрсету кезінде розеткадан желілік шанышқыны міндетті түрде суырыңыз.
- Электр тоғы соққысы тәуекелін азайту үшін шаңсорғышты үйлерден тыс пайдаланбаңыз, шаңсорғышпен суды немесе кез-келген басқа сұйықтықты жинауға тыйым салынады (шаңсорғышты сулы беттерде пайдаланбаңыз).
- Шаңсорғышты тек тасымалдауға арналған тұтқасынан ұстап алып жүруге болады.
- Желілік бауды тасуға арналған сап ретінде пайдаланбаңыз, егер желілік бау есік арасынан өтсе, есікті жаппаңыз, сонымен қатар желілік кабельдің үшкір шеттермен немесе бұрыштармен және қызған беттермен жанасуын болдырмаңыз. Бөлмені жинау кезінде желілік бауды шаңсорғышпен басуға тыйым салынады, сіз оны зақымдай аласыз. Алдымен шаңсорғышты қосу/сөндіру түймесімен міндетті түрде ажыратыңыз, және тек осыдан кейін ғана желілік сымды электр розеткасынан ажыратуға болады.
- Құрылғыны электр желісінен ажырата отырып, желілік сымнан тартпаңыз, желілік сым шанышқысын ұстаңыз.
- Желілік ашаны немесе шаңсорғыш корпусын су қолмен ұстамаңыз.
- Желілік сымды орау кезінде сымды қолыңызбен ұстаңыз, желілік шанышқының еден үстіне ұрылуына жол бермеңіз.
- Құрылғының шығыс саңылауын қандай да бір затпен жабуға тыйым салынады.
- Егер оның қандай да бір саңылауы жабылған болса, құрылғыны қосуға тыйым салынады.
- Шаштың, киімнің бос, салбырап тұрған элементтерінің, саусақтардың немесе

дененің өзге бөліктерінің шаңсорғыштың ауа жинау саңылаулары жанында орналаспауын қадағалаңыз.

- Баспалдақ алаңдарын жинау кезінде айрықша сақ болыңыз.
- Шаңсорғышты бензин, еріткіштер сияқты жеңіл тұтанатын сұйықтықтарды жинауға пайдалануға тыйым салынады, сонымен қатар шаңсорғышты осындай сұйықтықтарды сақтайтын жерлерде пайдалануға тыйым салынады.
- Шаңсорғыш көмегімен суды немесе кез-келген өзге сұйықтықты, жанатын немесе тұтанған темекілерді, шырпыларды, басылмаған күлді, сонымен бірге жұқа дисперсиялық шаң-тозаңды – мысалы, сылақтан, бетоннан, ұн немесе күлден қалған шаң-тозаңдарды жинауға тыйым салынады.
- Шаңсорғышты пайдалануға тыйым салынады, егер:
 - контейнер-шаң жинағыш орнатылмаса немесе дұрыс емес орнатылса;
 - кіргізетін және шығаратын сүзгіштер.
- Шаңсорғыш корпусын суға немесе кез-келген өзге сұйықтыққа салмаңыз.
- Тек жеткізу жинағына кіретін жабдықтар мен саптамаларды ғана пайдаланыңыз.
- Шаңсорғышты ретті түрде тазалап отырыңыз.
- Шаңсорғышты құрғақ, салқын жерде сақтаңыз.
- Үй жануарларын тазалау үшін шаңсорғышты пайдаланбаңыз.
- Жұмыс жасап тұрған құрылғыға жақын жерде жасы 8-ге толмаған балалар немесе мүмкіндігі шектеулі жандар жүрсе, ерекше мұқият болыңыздар.
- Берілген құрылғы 8 жастан аспаған балалардың пайдалануына арналмаған. Құрылғы әзірлейтін ыдыс жұмыс істеген кезде және суыту кезінде 8 жастан кіші балалар жете алмайтын жерде тұруы тиіс.
- Берілген құрылғы дене, жүйке, психика бұзылулары бар немесе жеткілікті тәжірибесі мен білімі жоқ адамдарға (8 жастан асқан балаларды қоса) пайдалануына арналмаған. Құрылғыны мұндай адамдардың пайдалануы, олардың қауіпсіздігі үшін жауап беретін тұлғаның қарауында, оларға құрылғыны қауіпсіз пайдалану және оны дұрыс пайдаланбағанда пайда бола алатын қауіптер туралы сәйкес және түсінікті нұсқаулықтар берілген жағдайда ғана рұқсат етіледі.

- Құрылғыны ойыншық ретінде пайдаланылуына жол бермеу үшін балаларға қадағалау жасаңыз.
- Балалардың қауіпсіздігі мақсатында орау ретінде пайдаланылатын полиэтилен қаптарды қараусыз қалдырмаңыз.

Назар аударыңыз! Балаларға полиэтилен пакеттермен немесе қаптама үлдірмен ойнауға рұқсат бермеңіз. **Тұншығу қаупі!**

- Құрылғыны тек зауыттық орауда тасымалдаңыз.
- Бүлінулердің жоқ екендігіне желілік сым шанышқысын немесе желілік сымды ретті түрде тексеріңіз.
- Құрылғыны желілік сымы немесе желілік сым айырында ақау бар болған жағдайда немесе құрылғы жұмысында ауытқу болған жағдайда және ол құлағаннан кейін немесе суы ағып тұрған кезде құрылғыны пайдалануға тыйым салынады.
- Аспапты өз бетіңізбен жөндеуге тыйым салынады. Өздігіңізден құрылғыны бөлшектемеңіз, кез келген ақау шыққан жағдайда, сондай-ақ құрылғы құлаған жағдайда құрылғыны розеткадан алып тастаңыз да, байланысу мекенжайлары бойынша кепілдеме талонында көрсетілген кез келген авторланған (уәкілетті) сервистік орталыққа, және www.vitek.ru сайтына жүгініңіз.
- Құрылғыны баалардың және мүмкіндіктері шектеулі адамдардың қолы жетпейтін жерде сақтаңыз.

ҚҰРЫЛҒЫ ҮЙДЕ ҒАНА ҚОЛДАНУ ҮШІН АРНАЛҒАН

Сақтандыру шаралары

- Қатты қыздырылған үстіңгі беттерден тікелей жақын маңдарында, құлсалғыштар жанында, сонымен бірге жылдам тұтанатын сұйықтықтарды сақтау орындарында шаңсорғышпен жинауды іске асырмаңыз.
- Жинауды бастамастан бұрын еденнен құрылғының бүлінуіне жол бермеу үшін өткір заттарды алып тастаңыз.
- Егер жинау кезінде шаңсорғыштың сорғыш қуаттылығы шұғыл төмендеп кеткен болса, шаңсорғышты кідірместен сөндіріңіз, осыдан кейін электр желісінен оны ажыратыңыз және сорылуына телескопиялық түтікті немесе шлангіні тексеріңіз. Қажет кезде тітелуді кетіріңіз, тек осыдан кейін тазартуды жалғастыруға болады.

ШАҢСОРҒЫШТЫ ЖИНАУ

Тасымалданғаннан кейін немесе құрылғы төмен температурада сақталған болса оны бөлме температурасында үш сақаттан кем емес уақыт ұстау қажет.

- Құрылғыны қораптан толығымен шығарып алыңыз, құрылғының жұмысына кедергі келтіретін барлық жапсырмаларды алып тастаңыз.
- Құрылғының бүтіндігін тексеріңіз, бүлінген жерлері болған кезде құрылғыны пайдаланбаңыз.
- Құрылғыны қосар алдында электрлік желі кернеуінің құрылғының жұмыс кернеуіне сәйкес келетіндігіне көз жеткізіңіз.

Ескерту:

Әрқашан қылшақ-қондырмаларды ауыстыру алдында, қылшақ-қондырманы ауыстыру алдында, сонымен қатар контейнер-шаңжинауышты (8) тазалау алдында шаңсорғышты сөндіріңіз және желілік айыртетікті ашалаықтан шығарыңыз.

Иілмелі шлангіні, телескопиялық түтікті және саптамаларды жалғастыру

- Иілмелі шланг ұштығын (10) ауа қармауыш саңылауға (9) кигізіңіз және оны сағат тілінің бағытында түбіне дейін бұраңыз (сур.1). Иілмелі шлангты (11) шешіп алу үшін иілмелі шлангты ұштықты (10) сағат тіліне қарсы бағытта бұраңыз.
- Телескопиялық ұзартқыш түтікке (13) иілгіш құбыршектің сабын (12) қосыңыз (сур. 2).
- Алдын-ала бекіткішке (14) басып, телескопиялық түтіктің төменгі бөлігін қажетті ұзындыққа шығарыңыз (сур. 3).
- Қажетті саптаманы таңдаңыз – еден/кілем беттеріне арналған қылшақ (15), құрамдастырылған қылшақ (26) – және саптаманы телескоптық ұзартқыш түтікке (13) жалғаңыз (сур. 4).

Еден/кілем жабуларына арналған қылшақ (15)
«Еден/кілем» (16) қайта қосқышын қажетті жағдайға келтіру керек (жинастыру жүргізілетін еденнің бетіне байланысты).

Құрамдастырылған қылшақ (26)

Құрамдастырылған қылшақ (26) тек радиаторларды, саңылауларды, бұрыштарды және жастықтар мен дивандар арасын тазалау үшін емес, сонымен бірге жиһаздың бетіндегі шаңды сүртуге де арналған, бұл кезде

құрамдастырылған қылшақтағы (26) түктің болуы жиһаздың жалтыр бетін зақымдауына кедергі келтіреді.

ПАЙДАЛАНУ

Сақтандыру шаралары

- Шаңсорғышпен жинауды ыстық беттерге тікелей жақын жерде, құлсалғыштардың қасында, сондай-ақ тез тұтанатын сұйықтықтар сақталған жерлерде жүргізбеңіз.
- Егер жинау кезінде шаңсорғыштың сорғыш қуаттылығы шұғыл төмендеп кеткен болса, шаңсорғышты кідірместен сөндіріңіз және сорылуына телескопиялық түтікті немесе шлангіні тексеріңіз. Шаңсорғышты сөндіріңіз, осыдан кейін электр желісінен оны ажыратыңыз, тұталуды жойыңыз, және тек осыдан кейін ғана жинауды жалғастыруға болады.

Назар аударыңыз! Әрқашан шаңсорғышты орнатылған контейнер-шаңжинауышпен (8), кіретін (19) және шығаратын (4) сүзгіштермен пайдаланыңыз. Әрқашан сүзгіштердің дұрыс орнатылуын тексеріңіз.

Назар аударыңыз! Еденде жырықтардың пайда болуына жол бермеу үшін шаңсорғышты пайдалану алдында, тасымалдайтын қорғаныс құралдарды жойыңыз. Бұл үшін құрылғыны аударыңыз және одан қорғаныс сақинаны (24) және қорғаныс тілімді (25) жойыңыз.

- Жұмысты бастау алдында желілік кабельді қажетті ұзындыққа шығарыңыз және желілік айыретікті электрлік ашалаыққа салыңыз. Желілік шнурдағы сары белгі шнурдың максималды ұзындығы туралы ескертеді. Желілік сымды қызыл белгіден әрі тартуға тыйым салынады.
- Шаңсорғышты қосу үшін (5) түймесін басыңыз
- Жұмыс істеу уақытында сіз сорғызу қуатын реттегішпен (16).
- Жұмыс аяқталған кезде (5) пернені басып шаңсорғышты ажыратыңыз, және желілік сым ашасын электр розеткасынан суырыңыз.
- Желілік бауды орау үшін батырманы (1) басып ұстап тұрыңыз, оралып жатқан баудың ұрылуына және бүлінуіне жол бермеу үшін оны қолыңызбен ұстаңыз.
- Шаңсорғышпен жұмыс кезіндегі үзілістерде қылшақтың «тұрақтау» орнын (2) пайдаланыңыз.

- Шаңсорғышты немесе контейнер-шаңжинауышты (8) тасымалдау үшін сапты (7) пайдаланыңыз (сур. 5).

АВТОМАТТЫ ТҮРДЕ АЖЫРАТЫЛУ ФУНКЦИЯСЫ

- Шаңсорғыш электромотордың қызуы кезінде автоматты түрде ажыратылу функциясымен жабдықталған.
- Электр моторы қызып кеткен жағдайда автоматты жылу тежегіші жұмыс істеп кетеді, мұнда шаңсорғыш өшіріледі.
- Мұндай жағдайда электр розеткасынан желілі сымның айырын жылдам суырып алу керек.
- Телескоптық түтік пен иіlmелі шлангтың бітеліп қалмағандығын тексеру керек.
- Шаңсорғышты қайтадан қосу алдында, оған шамамен 20-30 минут салқындауға уақыт беріңіз.
- Приборды электр желісіне жалғап, оны қосыңыз, егер шаңсорғыш қосылмаса, онда бұл шаңсорғыштың басқа да зақымдануларының бар екенін білдіреді. Мұндай жағдайда шаңсорғышты жөндеу үшін арнайы қызмет көрсету орталығына апару керек.

ТАЗARTY ЖӘНЕ КҮТІМІ

Шаңсорғышты әр пайдаланғаннан кейін шаң мен қоқымды алып тастаңыз, шаңжинағыш контейнерді (8) бөлшектеніңіз және тазалаңыз. Бөлмені шаңсорғышпен жинауды тек шаңжинағыш (8) іші шаң мен қоқымнан алдын ала тазартылған жағдайда ғана бастаңыз.

Контейнер-шаңжинауышты (8) шешу және одан шаң мен қоқысты жою

- Желілік шнурдың ашасын электр розеткасынан ажыратып, шаңсорғышты өшіріңіз.
- Иіlmелі шлангтың ұштығын (10) сағат тіліне қарсы бағытта бұрап иіlmелі шлангты (11) шешіп алыңыз.
- Саптан (7) ұстап, бекіткішке (6) басыңыз және контейнер-шаңжинауышты (8) шешіңіз.
- Контейнер-шаңжинауышты қоқыс шелігінің үстінен ұстаңыз. Қақпақ бекіткішіне (23) басып, төменгі қақпақты (22) ашыңыз (сур. 6) Контейнер-шаң жинағыштан (8) жиналып қалған шаң-тозаңды және қоқысты алып тастаңыз.

Контейнер-шаңжинауышты (8) бөлшектеу және тазалау

- Шаңсорғышты сөндіріңіз және оны электр желісінен ажыратыңыз,
- Бекіткішке (6) басыңыз және контейнер-шаңжинауышты (8) шешіңіз.
- Қақпақ бекіткішіне (23) басып, төменгі қақпақты (22) ашыңыз және шаң мен қоқысты контейнера-шаңжинауыштан (8) жойыңыз. Төменгі қақпақты (22) жабыңыз.
- Шаңжинағыш контейнерді (8) колбасынан (21) ұстап тұрып, қақпақты (18) сағат тіліне қарсы бағытта бұраңыз да оны шешіп алыңыз (сур. 7).
- Кіргізетін сүзгішті (19) шаңнан тазалаңыз, бұл үшін микропоролонды қондырманы сүзгі корпусынан (19) шығарып алыңыз.
- Кіргізетін сүзгішті (19) және микропоролонды қондырманы жылы ағын судың астында жуып, оны жақсылап кептіріңіз.
- Сепаратор (20) дөңестерден ұстап, оны колбадан (21) суырып алыңыз.
- Сепараторды (20) және контейнер-шаңжинауыш құтыны (21) жылы ағын сумен жуыңыз, содан кейін жақсылап құрғатыңыз.

Назар аударыңыз! Шаңжинағыш контейнерді құрамас бұрын барлық алынбалы бөлшектердің таза және құрғақ екенін тексеріп алыңыз.

Контейнер-шаңжинауышты (8) құрастыру

- Сепараторды (20) шаңжинағыш контейнерді колбаға (21) орнатыңыз. Бұл үшін сепараторды (20) дөңестерді колбадағы (21) сәйкес ойықтарға келтіріңіз,
- Кіретін сүзгіш (19) корпусына микропоролонды қондырманы орнатыңыз.
- Құрастырылған кіретін сүзгісін (19) орнына орнатыңыз.
- Контейнер-шаңжинауыш қақпағын (18), қақпақтың (18) шығыңқыларын контейнер-шаңжинауыш құтысының (21) ойықтарымен сәйкестендіріп орнатыңыз және қақпақты (18) сағат тілі бойынша тірелгенге дейін бұраңыз, осы кезде контейнер-шаңжинауыш бекіткішінің батырмасы (6) төменгі қақпақ бекіткішіне (23) қарама-қарсы болуы керек.

Назар аударыңыз!

- Егер қоқыс MAX бөлгісінен асып тұрса, жұмысты тоқтатып оны шығарып тастаңыз (сур. 1).
- Пайдалану алдында, тығындайтын салыңды дұрыс салынғанына көз жеткізіңіз (сур. 9). Нашар тығыздауыш (сур. 10) шаң жіберіп, мотордың жанып кетуіне әкелуі мүмкін.

ҚАЗАҚША

Шығаратын сүзгішті тазалау (сур. 8)

Микропоролонды шығаратын сүзгішті (4) уқатында тазалап тұрыңыз.

- Ілгекке басып, шығаратын сүзгіш торын (3) ашыңыз.
- Шығыс сүзгіні (4) торкөздің ішкі жағынан шешіп алыңыз, оны жылы ағын судың астында жуып, жақсылап кептіріңіз.
- Шығыс сүзгіні (4) торкөздің ішкі жағынан (3) орнатыңыз.
- Торкөзді (3) орнына орнатыңыз.

Ескерту:

- *Сүзгіштерді (4, 19), микропоролон салындыны, сепараторды (20) және шаңжинауыш-сауыттың құтысын (21) жуу үшін ыдыс жуатын машинаны пайдаланбаңыз.*
- *Сүзгіштерді (4, 19) орнату алдында, олардың құрғақ екеніне көз жеткізіңіз.*
- *Сүзгіштерді (4, 19), микропоролон салындыны және басқа шешілмелі бөлшектерді құрғату үшін фенді пайдалануға тыйым салынады.*

Шаңсорғыш корпусы

- Шаңсорғыш корпусын сәл дымқыл жұмсақ матамен сүртіңіз, содан кейін құрғатып сүртіңіз.
- Шаңсорғыш корпусын, желілік бауды және желілік баудың айыртетігін суға немесе кез-келген басқа сұйықтықтарға салуға тыйым салынады. Шаңсорғыш корпусының ішіне сұйықтықтың түсуіне жол бермеңіз.
- Шаңсорғыш бетін тазалау үшін еріткіштерді және қажайтын тазалағыш заттарды пайдалануға тыйым салынады.

САҚТАЛУЫ

- Шаңсорғышты ұзақ уақытқа жинап қою үшін оның корпусын, шаңжинағыш-контейнері (8) мен (4, 19) сүзгілерін тазалап алу керек.
- Сақтау кезінде ыңғайлы болу үшін қылшақтың «тұрақтау» орнын (2) пайдаланыңыз.
- Шаңсорғышты құрғақ салқын, балалардың қолы жетпейтін жерде сақтау керек.

Жеткізілім жинағы

1. Орнатылған сүзгілері және контейнер-шаң жинағышы бар шаңсорғыш – 1 дн
2. Иілімді шлангі – 1 дн.
3. Телескопиялық ұзартқыш түтік – 1 дн.
4. Әмбебап қылшақ – 1 дн.
5. Құрамдастырылған қылшақ – 1 дн.
6. Нұсқаулық – 1 дн.

ТЕХНИКАЛЫҚ СИПАТТАМАЛАР

Электрқорегі: 220-240 В ~ 50 Гц
Максималды қажет ететін қуаты: 1800Вт
Сору қуаттылығы: 350 Вт

Өндіруші аспаптың сипаттамаларын алдынала хабаралаусыз өзгертуге құқықты сақтайды

Құралдың қызмет мерзімі – 3 жыл

Гарантиялық міндеттілігі

Гарантиялық жағдайдағы қаралып жатқан бөлшектер дилерден тек сатып алынған адамға ғана беріледі. Осы гарантиялық міндеттілігіндегі шағымдалған жағдайда төлеген чек немесе квитанциясын көрсетуі қажет.

EAC

ПИЛОСОС VT-8115 OG

Пристрій призначений для прибирання при-
міщень.

ОПИС

1. Кнопка змотування мережевого шнура
2. Місце для «паркування» щітки
3. Решітка вихідного фільтра
4. Мікропоролоновий вихідний фільтр
5. Кнопка вмикання/вимикання пилососа
6. Фіксатор контейнера-пилосбірника
7. Ручка контейнера-пилосбірника/ручка для перенесення пилососа
8. Контейнер-пилосбірник
9. Повітрозабірний отвір
10. Наконечник гнучкого шланга
11. Гнучкий шланг
12. Рукотка гнучкого шланга
13. Телескопічна подовжувальна трубка
14. Фіксатор регулювання довжини телескопічної трубки
15. Універсальна щітка для підлоги/килимових покриттів
16. Перемикач «підлога/килим»
17. Регулятор потужності всмоктування
18. Кришка контейнера-пилосбірника
19. Вхідний фільтр з мікропоролоновою вставкою
20. Сепаратор
21. Колба контейнера-пилосбірника
22. Нижня кришка контейнера-пилосбірника
23. Фіксатор нижньої кришки
24. Захисне кільце
25. Захисна пластина
26. Комбінована щітка

РЕКОМЕНДАЦІЇ ПО ЗАХОДАМ БЕЗПЕКИ

Перед використанням пристрою уважно прочитайте дане керівництво по експлуатації та зберігайте його протягом усього терміну експлуатації. Використовуйте пристрій лише по його прямому призначенню, як викладено в цьому керівництві. Неправильне поводження з пристроєм може привести до його поломки, спричинення шкоди користувачеві або його майну.

УВАГА!

Для додаткового захисту в ланцюг живлення доцільно встановити пристрій захисного вимкнення (ПЗВ) з номінальним струмом спрацьовування, що не перевищує 30 mA; при установленні слід звернутися до фахівця.

ПОПЕРЕДЖЕННЯ

Для зниження ризику виникнення пожежі, для захисту від ураження електричним струмом та захисту від травм дотримуйтеся приведених нижче рекомендацій.

- Перш ніж підімкнути пристрій до електромережі, переконайтеся в тому, що напруга, яка зазначена на пристрою, відповідає напрузі в електромережі у вашому домі.
- Щоб уникнути ризику виникнення пожежі, не використовуйте перехідники при підмиканні приладу до електричної розетки.
- Не залишайте пилосос без нагляду, коли він увімкнений в мережеву розетку. Обов'язково виймайте мережеву вилку з електричної розетки, коли не користуєтеся пилососом, при зміні насадок, а також перед його обслуговуванням.
- Для зниження ризику удару електричним струмом не використовуйте пилосос поза приміщеннями, забороняється використовувати пилосос для збору води або будь-якої іншої рідини (не використовуйте пилосос на вологих поверхнях).
- Переносити пилосос можна тільки узявшись за ручку для перенесення.
- Не використовуйте мережевий шнур для перенесення пилососа, не закривайте двері, якщо мережевий шнур проходить через дверний проріз, уникайте контакту мережевого шнура з гострими краями або кутами меблів, а також з нагрітими поверхнями. Під час прибирання приміщення забороняється переїжджати пилососом через мережевий шнур - ви можете його пошкодити. Спочатку обов'язково вимикайте пилосос кнопкою вмикання/вимкнення, і тільки після цього можна виймати вилку мережевого шнура з електричної розетки.
- Вимикаючи пристрій з електричної мережі, не тягніть за мережевий шнур, а беріться за вилку мережевого шнура.
- Не торкайтеся мережевої вилки або корпусу пилососа мокрими руками.
- Під час змотування мережевого шнура притримуйте шнур рукою, не допускайте, щоб мережева вилка ударялася о поверхню підлоги.
- Забороняється закривати вихідний отвір пристрою якими-небудь предметами.
- Забороняється вмикати пристрій, якщо який-небудь з його отворів заблокований.

УКРАЇНЬСКА

- Наглядайте за тим, щоб волосся, елементи одягу, що вільно висять, пальці або інші частини тіла не знаходилися поряд з повітрязабірними отворами пилососа.
- Будьте особливо уважні при прибиранні сходових майданчиків.
- Забороняється використовувати пилосос для збору легкозаймистих рідин, таких як бензин, розчинники, забороняється використання пилососа у місцях зберігання таких рідин.
- Забороняється за допомогою пилососа збирати воду або будь-які інші рідини, гарячі або димлячі сигарети, сірники, тліючий попіл, а також тонкодисперсну пил – наприклад, від штукатурки, бетону, борошна або золи.
- Забороняється використовувати пилосос, якщо:
 - не встановлений або неправильно зібраний контейнер-пилосбірник;
 - не встановлені вхідний та вихідний фільтри.
- Не занурюйте корпус пилососа у воду або будь-які інші рідини.
- Використовуйте тільки ті аксесуари або насадки, які входять до комплексу поставання.
- Робіть регулярне чищення пилососа.
- Зберігаєте пилосос в сухому прохолодному місці.
- Не використовуйте пилосос для чищення домашніх тварин.
- Будьте особливо уважні, якщо поблизу від працюючого приладу знаходяться діти молодше 8 років або особи з обмеженими можливостями.
- Даний пристрій не призначений для використання дітьми молодше 8 років. Під час роботи і охолодження розміщайте пристрій у місцях, недоступних для дітей молодше 8 років.
- Цей пристрій не призначений для використання людьми (включаючи дітей старше 8 років) з фізичними, нервовими, психічними відхиленнями або без достатнього досвіду і знань. Використання приладу такими особами можливо лише в тому випадку, якщо вони знаходяться під наглядом особи, що відповідає за їх безпеку, за умови, що їм були дані відповідні і зрозумілі інструкції про безпечне використання пристрою і ті небезпеки, які можуть виникати при його неправильному користуванні.

- Здійснюйте нагляд за дітьми, щоб не допустити використання приладу в якості іграшки.
- З міркувань безпеки дітей не залишайте поліетиленові пакети, використовувані в якості упаковки, без нагляду.

Увага! Не дозволяйте дітям грати з поліетиленовими пакетами або пакувальною плівкою.
Загроза ядухи!

- Перевозьте пристрій лише в заводській упаковці.
- Регулярно перевіряйте вилку мережевого шнура і мережевий шнур на відсутність пошкоджень.
- Забороняється використовувати пристрій при пошкодженні мережевої вилки або мережевого шнура, якщо пристрій працює з перебоями або у випадку протікання.
- Забороняється самостійно ремонтувати прилад. Не розбирайте прилад самостійно, при виникненні будь-яких несправностей, а також після падіння пристрою, вимкніть прилад з електричної розетки й зверніться в будь-який авторизований (уповноважений) сервісний центр за контактними адресами, вказаними в гарантійному талоні та на сайті www.vitek.ru.
- Зберігайте пристрій у місцях, недоступних для дітей і людей з обмеженими можливостями.

ПРИЛАД ПРИЗНАЧЕНИЙ ТІЛЬКИ ДЛЯ ДОМАШНЬОГО ВИКОРИСТАННЯ

Запобіжні заходи

- Не робіть прибирання пилососом в безпосередній близькості від сильно нагрітих поверхонь, поряд з попільничками, а також в місцях зберігання легкозаймистих рідин.
- Перед початком прибирання заберіть з підлоги гострі предмети, щоб не допустити пошкодження пристрою.
- Якщо під час прибирання різко знизилася усмоктувальна потужність пилососа, негайно вимкніть його, потім відключіть його від електричної мережі та перевірте телескопічну трубку і шланг на предмет засмічення. При необхідності усуньте засмічення, і лише після цього можна продовжувати прибирання.

СКЛАДАННЯ ПИЛОСОСА

Після транспортування або зберігання пристрою при зниженій температурі необ-

хідно витримати його при кімнатній температурі не менше трьох годин.

- Повністю розпакуйте пристрій та видаліть будь-які наклейки, що заважають роботі пристрою.
- Перевірте цілісність пристрою, за наявності пошкоджень не користуйтеся пристроєм.
- Перед вмиканням переконайтеся у тому, що напруга електричної мережі відповідає робочій напрузі пристрою.

Примітка:

Всякий раз під час заміни щіток-насадок, а також перед чищенням контейнера-пилосбірника (8) обов'язково вимикайте пилосос і виймайте мережу вилку з електричної розетки.

Під'єднання гнучкого шланга, телескопічної трубки і насадок

- Вставте наконечник гнучкого шланга (10) у повітрязабірний отвір (9) і поверніть його за годинниковою стрілкою до фіксації (мал. 1). Для зняття гнучкого шланга (11) поверніть наконечник гнучкого шланга (10) проти годинникової стрілки.
- Вставте рукоятку гнучкого шланга (12) в телескопічну подовжувальну трубку (13) (мал. 2).
- Витягніть нижню частину телескопічної трубки на необхідну довжину, попередньо натиснувши на фіксатор (14) (мал. 3).
- Виберіть необхідну насадку — або щітку для підлоги/килимових покриттів (15), або комбіновану щітку (26) — і під'єднайте її до телескопічної подовжувальної трубки (13) (мал. 4).

Щітка для підлоги/килимових покриттів (15)

Установіть перемикач «підлога/килим» (16) в необхідне положення (залежно від типа поверхні, на якій виробляється прибирання).

Комбінована щітка (26)

Комбінована щітка (26) призначена не тільки для чищення радіаторів, щілин, кутів і між подушками диванів, але і для збору пилу з поверхні меблів, при цьому наявність ворсу на комбінованій щітці (26) перешкоджає пошкодженню полірованої поверхні меблів.

ЕКСПЛУАТАЦІЯ

Запобіжні заходи

- Не робіть прибирання пилососом в безпосередній близькості від гарячих поверхонь,

поряд з попільничками, а також в місцях зберігання легкозаймистих рідин.

- Якщо під час прибирання різко знизилася всмоктувальна потужність пилососа, негайно вимкніть пилосос і перевірте телескопічну трубку або шланг на предмет засмічення. Вимкніть пилосос, потім вимкніть його з електромережі, усуньте засмічення, і тільки після цього можна продовжувати прибирання.

Увага! Вмикати пилосос можна тільки з встановленим контейнером-пилосбірником (8), а також з вхідним (19) та вихідним (4) фільтрами. Обов'язково перевіряйте правильність установлення фільтрів.

Увага! Щоб уникнути появи подряпин на підлозі перед використанням пилососа видаліть транспортувальні захисні пристосування. Для цього переверніть пристрій і зніміть з нього захисне кільце (24) і захисну пластину (25).

- Перед початком роботи витягніть мережевий шнур на необхідну довжину і вставте мережеву вилку в електричну розетку. Жовта відмітка на мережевому шнурі попереджає про максимальну довжину шнура. Забороняється витягувати мережевий шнур далі червоної відмітки.
- Для включення пилососа натисніть на кнопку (5).
- Під час роботи ви можете регулювати потужність всмоктування регулятором (17).
- Після закінчення роботи вимкніть пилосос, натиснувши на кнопку (5) і витягніть вилку мережевого шнура з електричної розетки.
- Для змотування мережевого шнура натисніть та утримуйте кнопку (1), при тримуйте рукою шнур, який змотується, щоб уникнути його захльостування і пошкодження.
- Під час перерв у роботі з пилососом використовуйте місце для «парковки» щітки (2).
- Для перенесення пилососа або контейнера-пилосбірника (8) використовуйте ручку (7) (мал. 5).

ФУНКЦІЯ АВТОМАТИЧНОГО ВІДКЛЮЧЕННЯ

- Пилосос оснащений функцією автоматичного вимкнення при перегріві електромотора.

УКРАЇНЬСКА

- При перегріванні електромотора спрацює автоматичний термозапобіжник, при цьому пилосос вимкнеться.
 - В цьому випадку негайно витягніть вилку мережевого шнура з електричної розетки.
 - Перевірте телескопічну трубку і гнучкий шланг на предмет засмічення і усуньте засмічення.
 - Дайте пилососу охолотитися протягом приблизно 20-30 хвилин, перш ніж включити його знову.
 - Підімкніть пилосос до електричної мережі, увімкніть його, якщо пристрій не умикається, це може означати, що в пилососі є інші пошкодження. В цьому випадку необхідно звернутися до авторизованого (уповноваженого) сервісного центру для ремонту пилососа.
- Притримуючи контейнер-пилосбірник (8) за колбу (21), поверніть кришку (18) проти годинникової стрілки та зніміть її (мал. 7).
 - Очистіть вхідний фільтр (19) від пилу, для цього вийміть мікропоролонову вставку з корпусу фільтра (19).
 - Вийміть вихідний фільтр (19) і промийте мікропоролонову вставку під струменем теплої води і ретельно просушіть.
 - Взявшись за виступи сепаратора (20), витягніть його з колби (21).
 - Промийте сепаратор (20) та колбу контейнера-пилосбірника (21) під струменем теплої води, потім ретельно просушіть.

Увага: Перед збиранням контейнера-пилосбірника переконайтеся в тому, що всі знімні деталі чисті та сухі.

Збирання контейнера-пилосбірника (8)

ЧИЩЕННЯ ТА ДОГЛЯД

Робіть видалення сміття і пилу, а також розбирання та чищення контейнера-пилосбірника (8) після кожного використання пилососу.

Починайте прибирання тільки в тому випадку, якщо з контейнера-пилосбірника (8) попередньо були видалені пил та сміття.

Зняття контейнера-пилосбірника (8) і видалення з нього пилу і сміття

- Вимкніть пристрій та витягніть вилку мережевого шнура з електричної розетки.
- Від'єднайте гнучкий шланг (11), повернувши наконечник гнучкого шланга (10) проти годинникової стрілки.
- Тримайтесь за ручку (7), натисніть на фіксатор (6) і зніміть контейнер-пилосбірник (8).
- Розташуйте контейнер-пилосбірник над відром для сміття. Відкрийте нижню кришку (22), натиснувши на фіксатор кришки (23) (мал. 6). Видаліть з контейнера-пилосбірника (8) пил і сміття, що накопичилися.

Розбирання та чищення контейнера-пилосбірника (8)

- Вимкніть пилосос і вимкніть його з електричної мережі.
- Натисніть фіксатор (6) і зніміть контейнер-пилосбірник (8).
- Відкрийте нижню кришку (22), натиснувши на фіксатор кришки (23) і видаліть пил і сміття з контейнера-пилосбірника (8). Закрийте нижню кришку (22).

- Вставте сепаратор (20) в колбу контейнера-пилосбірника (21). Для цього сумістіть виступи на сепараторі (20) з відповідними по розташуванню і формі заглибленнями на колбі (21).
- Встановіть мікропоролонову вставку в корпус вхідного фільтра (19).
- Установіть на місце зібраний вхідний фільтр (19).
- Встановіть кришку контейнера-пилосбірника (18), поєднавши виступи на кришці (18) з пазами колби контейнера-пилосбірника (21) і поверніть кришку (18) по годинникової стрілки до фіксації, при цьому кнопка фіксатора контейнера-пилосбірника (6) повинна бути напроти фіксатора нижньої кришки (23).

Увага!

- Припиніть роботу і видаліть сміття, якщо воно перевищує позначку MAX (мал. 1).
- Перед використанням переконайтеся, що ущільнювальна вставка встановлена належним чином (мал. 9). Погане ущільнення (мал. 10) може пропускатися пил і викликати перегорання мотора.

Чищення вихідного фільтра (мал. 8)

Регулярно робіть чищення мікропоролонового вихідного фільтра (4).

- Відкрийте решітку (3) вихідного фільтра, натиснувши на клямку.
- Зніміть вихідний фільтр (4) з внутрішньої сторони решітки, промийте їх під струменем теплої води і ретельно просушіть.

- Установіть вихідний фільтр (4) з внутрішнього боку решітки (3).
- Встановіть решітку (3) на місце.

Примітки:

- Не використовуйте посудомийну машину для промивання фільтрів (4, 19), мікропоролонної вставки, сепаратора (20) та колби контейнера-пилосбірника (21).
- Перед установленням фільтрів (4, 19) переконайтеся у тому, що вони сухі.
- Забороняється використовувати фен для сушіння фільтрів (4, 19), мікропоролонної вставки та інших знімних деталей.

Корпус пилососа

- Протріть корпус пилососа злегка вологою, м'якою тканиною, після чого витріть досуха.
- Забороняється занурювати корпус пилососа, мережевий шнур і вилку мережного шнура в воду або будь-які інші рідини. Не допускайте потрапляння рідини всередину корпусу пилососа.
- Забороняється використовувати для чищення поверхні пилососа розчинники і абразивні чистячі засоби.

ЗБЕРІГАННЯ

- Перш ніж забрати пилосос на тривале зберігання, зробіть чищення корпусу, контейнера-пилосбірника (8) і фільтрів (4, 19).
- Для зручності при зберіганні використовуйте місце «паркування» щітки (2).
- Зберігайте пилосос в сухому прохолодному місці недоступному для дітей.

КОМПЛЕКТАЦІЯ

1. Пилосос з встановленими фільтрами і контейнером-пилосбірником – 1 шт.
2. Гнучкий шланг – 1 шт.
3. Телескопічна подовжувальна трубка – 1 шт.
4. Універсальна щітка – 1 шт.
5. Комбінована щітка – 1 шт.
6. Інструкція – 1 шт.

ТЕХНІЧНІ ХАРАКТЕРИСТИКИ

Електроживлення: 220-240 В ~ 50 Гц
 Максимальна споживаема потужність: 1800 Вт
 Потужність всмоктування: 350 Вт

Виробник залишає за собою право змінювати характеристики приладу без попереднього повідомлення.

Термін служби приладу – 3 роки

Гарантія

Докладні умови гарантії можна отримати в дилера, що продав дану апаратуру. При пред'явленні будь-якої претензії протягом терміну дії даної гарантії варто пред'явити чек або квитанцію про покупку.



Даний виріб відповідає вимогам до електромагнітної сумісності, що пред'являються директивою 2004/108/ЕС Ради Європи й розпорядженням 2006/95/ЕС по низьковольтних апаратурах.

GB

A production date of the item is indicated in the serial number on the technical data plate. A serial number is an eleven-unit number, with the first four figures indicating the production date. For example, serial number 0606xxxxxx means that the item was manufactured in June (the sixth month) 2006.

DE

Das Produktionsdatum ist in der Seriennummer auf dem Schild mit technischen Eigenschaften dargestellt. Die Seriennummer stellt eine elfstellige Zahl dar, die ersten vier Zahlen bedeuten dabei das Produktionsdatum. Zum Beispiel bedeutet die Seriennummer 0606xxxxxx, dass die Ware im Juni (der sechste Monat) 2006 hergestellt wurde.

RUS

Дата производства изделия указана в серийном номере на табличке с техническими данными. Серийный номер представляет собой одиннадцатизначное число, первые четыре цифры которого обозначают дату производства. Например, серийный номер 0606xxxxxx означает, что изделие было произведено в июне (шестой месяц) 2006 года.

KZ

Бұйымның шығарылған мерзімі техникалық деректері бар кестедегі сериялық нөмірде көрсетілген. Сериялық нөмір он бір саннан тұрады, оның бірінші төрт саны шығару мерзімін білдіреді. Мысалы, сериялық нөмір 0606xxxxxx болса, бұл бұйым 2006 жылдың маусым айында (алтыншы ай) жасалғанын білдіреді.

UA

Дата виробництва виробу вказана в серійному номері на табличці з технічними даними. Серійний номер представляє собою одинадцятизначне число, перші чотири цифри якого означають дату виробництва. Наприклад, серійний номер 0606xxxxxx означає, що виріб був виготовлений в червні (шостий місяць) 2006 року.



ЗАПРЕЩЕНО УТИЛИЗИРОВАТЬ
С БЫТОВЫМ МУСОРОМ.
ОБРАТИТЕСЬ НА СООТВЕТСТВУЮЩИЙ
ПУНКТ ПЕРЕРАБОТКИ ЭЛЕКТРИЧЕСКОГО
И ЭЛЕКТРОННОГО ОБОРУДОВАНИЯ.